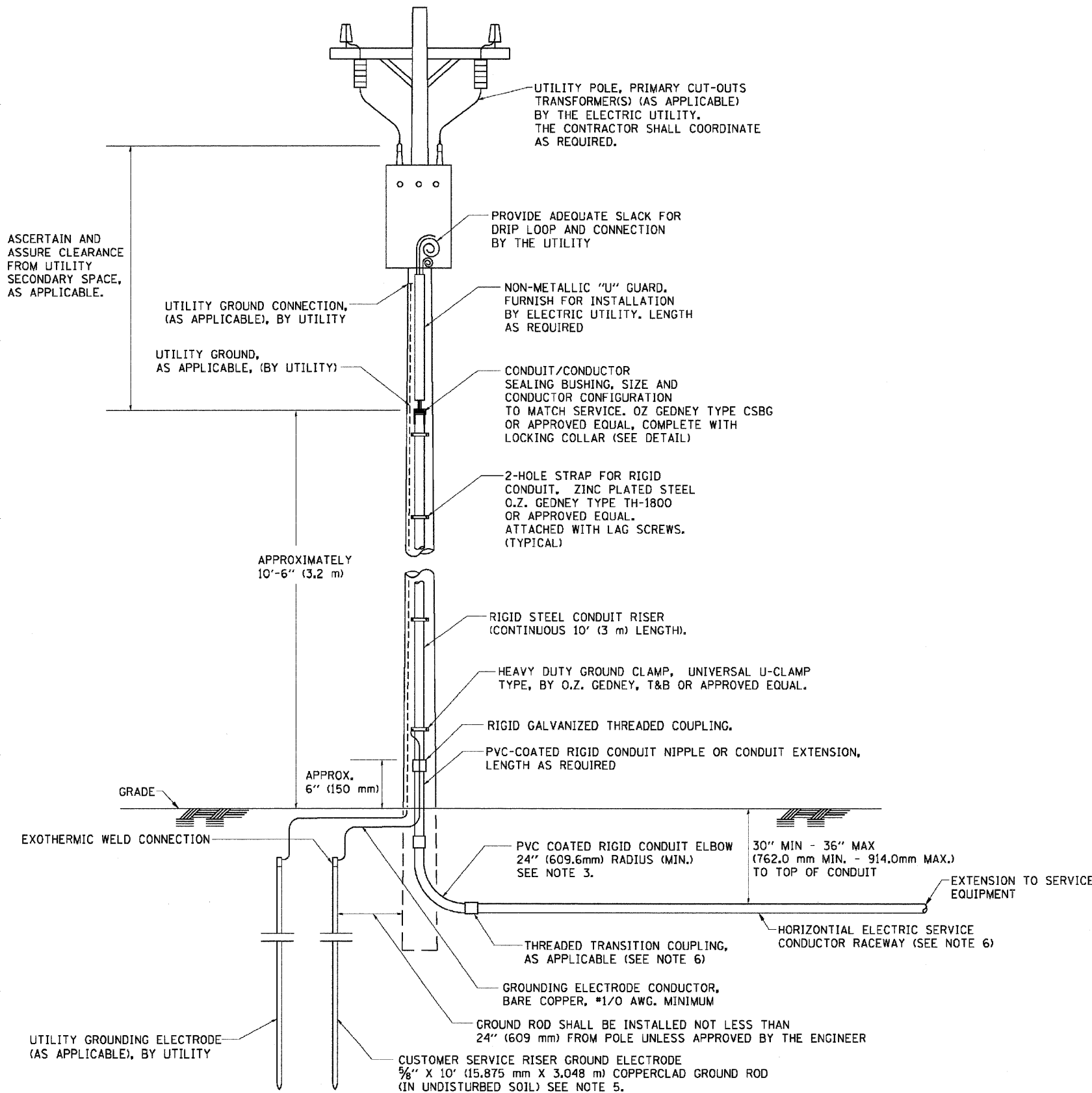


DATE	BY	REVISIONS
		NO. DESCRIPTION
		1. AS NOTED
		2. AS NOTED
		3. AS NOTED
		4. AS NOTED
		5. AS NOTED
		6. AS NOTED
		7. AS NOTED
		8. AS NOTED
		9. AS NOTED
		10. AS NOTED
		11. AS NOTED
		12. AS NOTED
		13. AS NOTED
		14. AS NOTED
		15. AS NOTED
		16. AS NOTED
		17. AS NOTED
		18. AS NOTED
		19. AS NOTED
		20. AS NOTED
		21. AS NOTED
		22. AS NOTED
		23. AS NOTED
		24. AS NOTED
		25. AS NOTED
		26. AS NOTED
		27. AS NOTED
		28. AS NOTED
		29. AS NOTED
		30. AS NOTED
		31. AS NOTED
		32. AS NOTED
		33. AS NOTED
		34. AS NOTED
		35. AS NOTED
		36. AS NOTED
		37. AS NOTED
		38. AS NOTED
		39. AS NOTED
		40. AS NOTED
		41. AS NOTED
		42. AS NOTED
		43. AS NOTED
		44. AS NOTED
		45. AS NOTED
		46. AS NOTED
		47. AS NOTED
		48. AS NOTED
		49. AS NOTED
		50. AS NOTED
		51. AS NOTED
		52. AS NOTED
		53. AS NOTED
		54. AS NOTED
		55. AS NOTED
		56. AS NOTED
		57. AS NOTED
		58. AS NOTED
		59. AS NOTED
		60. AS NOTED
		61. AS NOTED
		62. AS NOTED
		63. AS NOTED
		64. AS NOTED
		65. AS NOTED
		66. AS NOTED
		67. AS NOTED
		68. AS NOTED
		69. AS NOTED
		70. AS NOTED
		71. AS NOTED
		72. AS NOTED
		73. AS NOTED
		74. AS NOTED
		75. AS NOTED
		76. AS NOTED
		77. AS NOTED
		78. AS NOTED
		79. AS NOTED
		80. AS NOTED
		81. AS NOTED
		82. AS NOTED
		83. AS NOTED
		84. AS NOTED
		85. AS NOTED
		86. AS NOTED
		87. AS NOTED
		88. AS NOTED
		89. AS NOTED
		90. AS NOTED
		91. AS NOTED
		92. AS NOTED
		93. AS NOTED
		94. AS NOTED
		95. AS NOTED
		96. AS NOTED
		97. AS NOTED
		98. AS NOTED
		99. AS NOTED
		100. AS NOTED

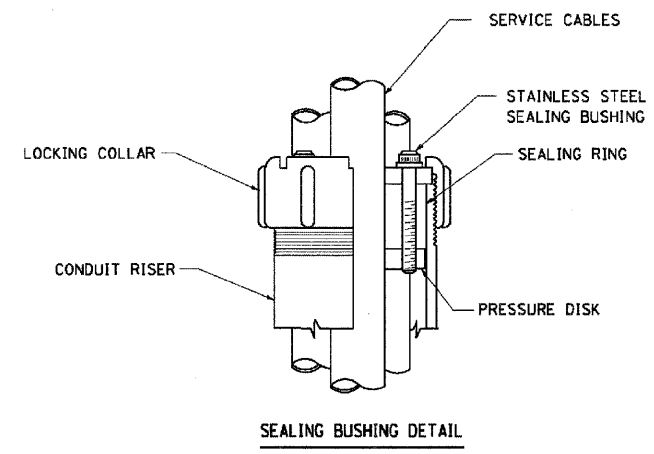


APPLICATION

THIS DETAIL APPLIES FOR LOW VOLTAGE ELECTRIC SERVICE (660 V OR LESS) FROM AN OVERHEAD UTILITY SUPPLY TO SEPERATLY-MOUNTED SERVICE EQUIPMENT.

NOTES

- SERVICE VOLTAGE SHALL BE AS INDICATED ELSEWHERE IN THE DRAWINGS.
- UNLESS OTHERWISE INDICATED, ITEMS AND WORK SHALL BE INCLUDED AND PAID AS PART OF THE ELECTRIC UTILITY SERVICE INSTALLATION PAY ITEM.
- CONDUIT AND CONNECTOR DIAMETER SHALL MATCH THE DIAMETER OF THE SERVICE CONDUCTOR RACEWAY AS INDICATED ON THE PLANS.
- PVC COATED RACEWAYS AND ACCESSORIES SHALL BE CAREFULLY INSTALLED WITH MFR RECOMMENDED TOOLS AND PROCEDURES TO AVOID DAMAGE. ANY DAMAGE SHALL BE REPAIRED WITH COMPATIBLE PVC TOUCH-UP MATERIAL TO THE SATISFACTION OF THE ENGINEER OR THE DAMAGED MATERIAL SHALL BE REPLACED AT NO ADDITIONAL COST.
- THE CONTRACTOR SHALL OBTAIN INSPECTION AND APPROVAL BY THE ENGINEER OF SERVICE RISER GROUND ELECTRODE, RISER ELBOW, NIPPLE AND CONNECTION TO SERVICE CONDUCTOR RACEWAY EXTENSION BEFORE BACKFILL AND SHALL ALSO OBTAIN INSPECTION OF SERVICE RISER AND SEALING BUSHING BEFORE UTILITY "U" GUARD INSTALLATION AND SERVICE CONNECTION.
- THE HORIZONTAL ELECTRIC SERVICE CONDUCTOR RACEWAY SHALL BE AS INDICATED AND SHALL BE MEASURED SEPARATELY FOR PAYMENT. WHEN THE RACEWAY IS PVC-COATED RIGID GALVANIZED STEEL, THE COUPLING SHALL BE THE SAME. WHEN THE RACEWAY IS PVC CONDUIT (IN CONCRETE), THE COUPLING SHALL BE A METALIC TO NON METALIC ADAPTER. WHEN THE RACEWAY IS ENCASED IN CONCRETE, THE CONCRETE SHALL EXTEND TO COVER THE COUPLING.
- PLANS AND DETAILS INDICATE THE GENERAL NATURE AND REQUIREMENTS. THEY DO NOT SHOW EVERY ACCESSORY AND ATTACHMENT, AND THEY DO NOT RELIEVE THE CONTRACTOR OF THE REQUIREMENTS OF THE SPECIFICATIONS AND SPECIAL PROVISIONS TO ASCERTAIN UTILITY REQUIREMENTS AND TO COORDINATE ACCORDINGLY, FURNISHING ALL ITEMS AND WORK NOT PROVIDED BY THE UTILITY, BUT NECESSARY FOR A COMPLETE SERVICE INSTALLATION IS REQUIRED AND SHALL BE INCLUDED IN THE ELECTRIC UTILITY SERVICE INSTALLATION PAY ITEM.



FILE NAME =	USER NAME = FPACIONE	DESIGNED - ABR	REVISED -	STATE OF ILLINOIS DEPARTMENT OF TRANSPORTATION	ELECTRIC SERVICE INSTALLATION AERIAL REMOTE DISCONNECT			F.A.U. RTE.	SECTION	COUNTY	TOTAL SHEETS	SHEET NO.
...T:\office\NIT_det05-be220.dgn		DRAWN - FPB / FCP	REVISED -					1321	2009-034 TS	COOK	45	40
PLOT SCALE = 20'		CHECKED - MJT	REVISED -		CONTRACT NO. 60639							
PLOT DATE = 3/18/2009		DATE -	REVISED -		SCALE: N.T.S.	SHEET NO. OF SHEETS	STA. TO STA.	FED. ROAD DIST. NO. [ILLINOIS] FED. AID PROJECT				