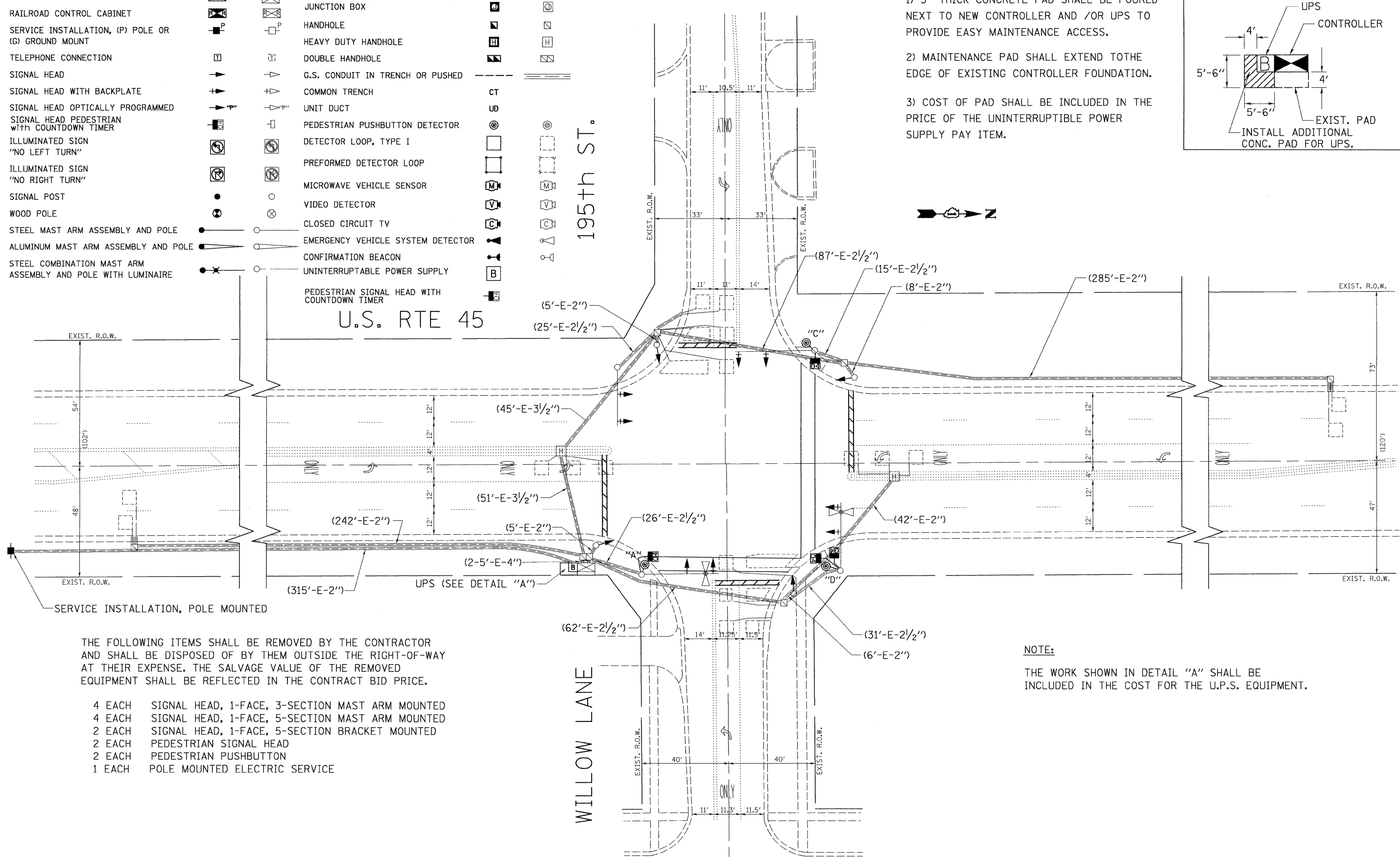
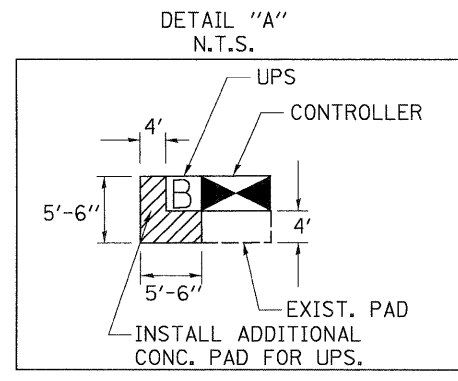


TRAFFIC SIGNAL LEGEND

PROPOSED	EXISTING	PROPOSED	EXISTING
CONTROLLER CABINET		JUNCTION BOX	
RAILROAD CONTROL CABINET		HANDHOLE	
SERVICE INSTALLATION, (P) POLE OR (G) GROUND MOUNT		HEAVY DUTY HANDHOLE	
TELEPHONE CONNECTION		DOUBLE HANDHOLE	
SIGNAL HEAD		G.S. CONDUIT IN TRENCH OR PUSHED	
SIGNAL HEAD WITH BACKPLATE		COMMON TRENCH	
SIGNAL HEAD OPTICALLY PROGRAMMED		UNIT DUCT	
SIGNAL HEAD PEDESTRIAN with COUNTDOWN TIMER		PEDESTRIAN PUSHBUTTON DETECTOR	
ILLUMINATED SIGN "NO LEFT TURN"		DETECTOR LOOP, TYPE I	
ILLUMINATED SIGN "NO RIGHT TURN"		PREFORMED DETECTOR LOOP	
SIGNAL POST		MICROWAVE VEHICLE SENSOR	
WOOD POLE		VIDEO DETECTOR	
STEEL MAST ARM ASSEMBLY AND POLE		CLOSED CIRCUIT TV	
ALUMINUM MAST ARM ASSEMBLY AND POLE		EMERGENCY VEHICLE SYSTEM DETECTOR	
STEEL COMBINATION MAST ARM ASSEMBLY AND POLE WITH LUMINAIRE		CONFIRMATION BEACON	
		UNINTERRUPTIBLE POWER SUPPLY	
		PEDESTRIAN SIGNAL HEAD WITH COUNTDOWN TIMER	

- 1) 5" THICK CONCRETE PAD SHALL BE POURED NEXT TO NEW CONTROLLER AND /OR UPS TO PROVIDE EASY MAINTENANCE ACCESS.
- 2) MAINTENANCE PAD SHALL EXTEND TO THE EDGE OF EXISTING CONTROLLER FOUNDATION.
- 3) COST OF PAD SHALL BE INCLUDED IN THE PRICE OF THE UNINTERRUPTIBLE POWER SUPPLY PAY ITEM.



THE FOLLOWING ITEMS SHALL BE REMOVED BY THE CONTRACTOR AND SHALL BE DISPOSED OF BY THEM OUTSIDE THE RIGHT-OF-WAY AT THEIR EXPENSE. THE SALVAGE VALUE OF THE REMOVED EQUIPMENT SHALL BE REFLECTED IN THE CONTRACT BID PRICE.

- 4 EACH SIGNAL HEAD, 1-FACE, 3-SECTION MAST ARM MOUNTED
- 4 EACH SIGNAL HEAD, 1-FACE, 5-SECTION MAST ARM MOUNTED
- 2 EACH SIGNAL HEAD, 1-FACE, 5-SECTION BRACKET MOUNTED
- 2 EACH PEDESTRIAN SIGNAL HEAD
- 2 EACH PEDESTRIAN PUSHBUTTON
- 1 EACH POLE MOUNTED ELECTRIC SERVICE

NOTE:
THE WORK SHOWN IN DETAIL "A" SHALL BE INCLUDED IN THE COST FOR THE U.P.S. EQUIPMENT.