

THE FOLLOWING ITEMS SHALL BE REMOVED BY THE CONTRACTOR AND SHALL BE DISPOSED OF BY THEM OUTSIDE THE RIGHT-OF-WAY AT THEIR EXPENSE. THE SALVAGE VALUE OF THE REMOVED EQUIPMENT SHALL BE REFLECTED IN THE CONTRACT BID PRICE.

- 4 EACH SIGNAL HEAD, 1-FACE, 3-SECTION MAST ARM MOUNTED
- 4 EACH SIGNAL HEAD, 1-FACE, 5-SECTION MAST ARM MOUNTED
- 2 EACH SIGNAL HEAD, 1-FACE, 5-SECTION BRACKET MOUNTED
- 2 EACH PEDESTRIAN SIGNAL HEAD
- 2 EACH PEDESTRIAN PUSHBUTTON
- 1 EACH POLE MOUNTED ELECTRIC SERVICE

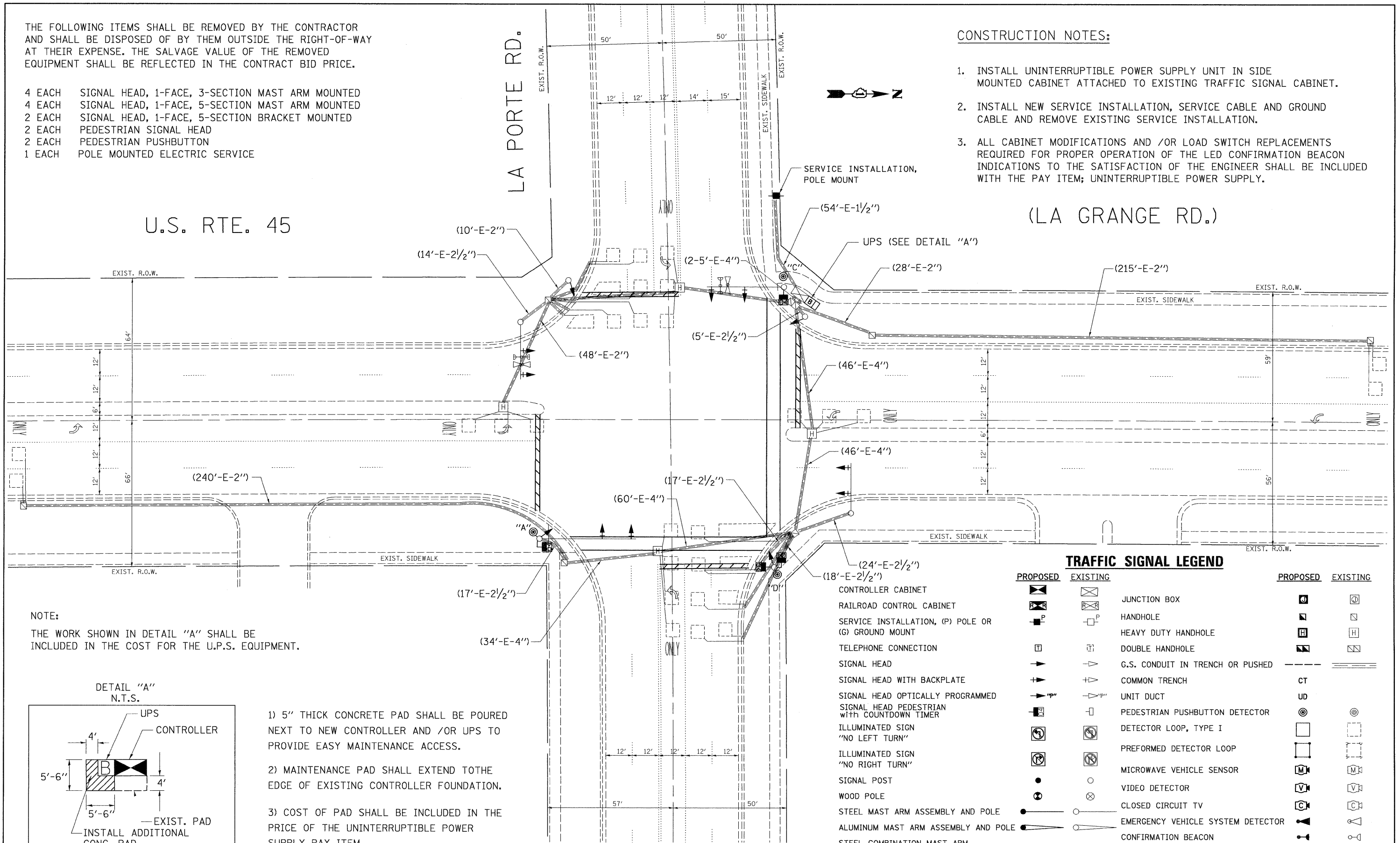
U.S. RTE. 45

LA PORTE RD.

CONSTRUCTION NOTES:

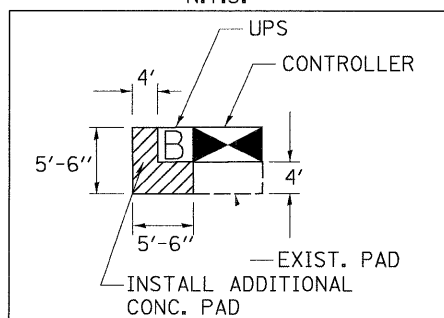
1. INSTALL UNINTERRUPTIBLE POWER SUPPLY UNIT IN SIDE MOUNTED CABINET ATTACHED TO EXISTING TRAFFIC SIGNAL CABINET.
2. INSTALL NEW SERVICE INSTALLATION, SERVICE CABLE AND GROUND CABLE AND REMOVE EXISTING SERVICE INSTALLATION.
3. ALL CABINET MODIFICATIONS AND /OR LOAD SWITCH REPLACEMENTS REQUIRED FOR PROPER OPERATION OF THE LED CONFIRMATION BEACON INDICATIONS TO THE SATISFACTION OF THE ENGINEER SHALL BE INCLUDED WITH THE PAY ITEM; UNINTERRUPTIBLE POWER SUPPLY.

(LA GRANGE RD.)



NOTE:  
THE WORK SHOWN IN DETAIL "A" SHALL BE INCLUDED IN THE COST FOR THE U.P.S. EQUIPMENT.

DETAIL "A"  
N.T.S.



- 1) 5" THICK CONCRETE PAD SHALL BE POURED NEXT TO NEW CONTROLLER AND /OR UPS TO PROVIDE EASY MAINTENANCE ACCESS.
- 2) MAINTENANCE PAD SHALL EXTEND TO THE EDGE OF EXISTING CONTROLLER FOUNDATION.
- 3) COST OF PAD SHALL BE INCLUDED IN THE PRICE OF THE UNINTERRUPTIBLE POWER SUPPLY PAY ITEM.

TRAFFIC SIGNAL LEGEND			
PROPOSED	EXISTING	PROPOSED	EXISTING