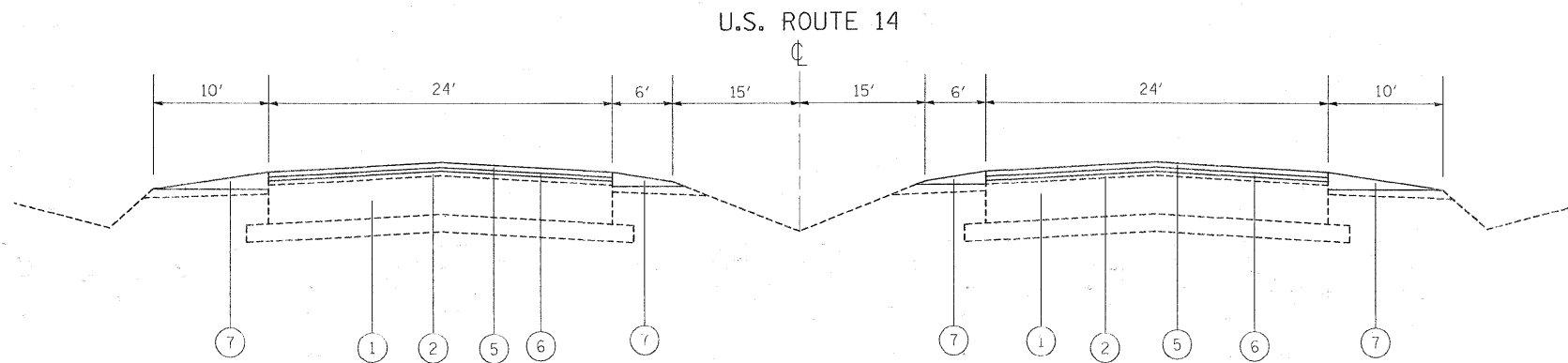


U.S. ROUTE 14 (NORTHWEST HWY)
EXIST. TYPICAL SECTION
 STA. 15+82 TO STA. 163+03

LEGEND

- ① EXIST. PCC PAVEMENT 10"
- ② EXIST. REMAINING HMA AFTER MILLING, ± 1/2"
- ③ EXIST. AGGREGATE SHOULDERS
- ④ PROP. HOT-MIX ASPHALT SURFACE REMOVAL 2 1/2"
- ⑤ PROP. HOT-MIX ASPHALT SURFACE COURSE, MIX "F", N90, 1 3/4"
- ⑥ PROP. POLYMERIZED LEVELING BINDER (MM), IL-4.75, N50, 3/4"
- ⑦ PROP. AGGREGATE WEDGE SHOULDER, TYPE B

NOTE: CONTRACTOR SHALL PATCH FIRST BEFORE MILLING



U.S. ROUTE 14 (NORTHWEST HWY)
PROP. TYPICAL SECTION
 STA. 15+82 TO STA. 163+03

HOT-MIX ASPHALT MIXTURE REQUIREMENTS

MIXTURE TYPE	AC TYPE	AIR VOIDS
HOT-MIX ASPHALT SURFACE COURSE, MIX "F", N90 (IL 9.5 -mm)	PG 64-22	4% @ 70 GYR
POLYMERIZED LEVELING BINDER, (MM), IL-4.75, N50	SBS/SBR PG 76-28/-22	4% @ 50 GYR
CLASS D PATCHES, (HMA BINDER IL-19 mm)	PG 64-22*	4% @ 70 GYR

THE UNIT WEIGHT USED TO CALCULATE ALL HOT-MIX ASPHALT SURFACE MIXTURE QUANTITIES IS 112 LBS/SQYD/IN.

*WHEN RAP EXCEEDS 20%, THE NEW ASPHALT BINDER IN THE MIX SHALL BE PG 58-22