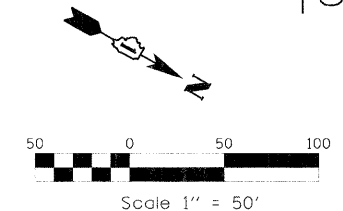
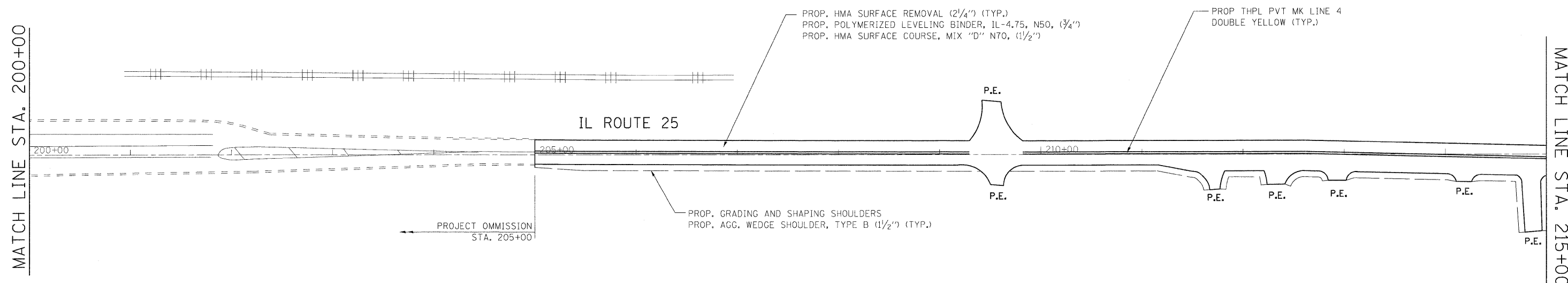
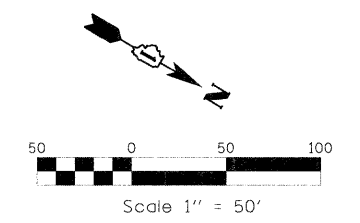


PLAN NOTES

1. ALL PAVEMENT PATCHING, COMBINATION CONCRETE CURB AND GUTTER REPLACEMENT, AND DRIVEWAY REPLACEMENT LOCATIONS SHALL BE DETERMINED BY THE ENGINEER IN THE FIELD.
2. LOCATIONS FOR DRAINAGE STRUCTURE TO BE CLEANED AND APPURTENANCES TO BE ADJUSTED SHALL BE DETERMINED BY THE ENGINEER IN THE FIELD.
3. IN ADDITION TO FIELD REVIEW AND AERIAL DATA, PLAN DIMENSIONS AND DETAILS RELATIVE TO THE EXISTING FACILITIES HAVE BEEN TAKEN FROM EXISTING PLANS AND ARE SUBJECT TO CONSTRUCTION VARIATIONS. IT SHALL BE THE CONTRACTOR'S RESPONSIBILITY TO VERIFY SUCH DIMENSIONS AND DETAILS IN THE FIELD. SUCH VARIATIONS SHALL NOT BE A CAUSE FOR ADDITIONAL COMPENSATION DUE TO A CHANGE IN THE SCOPE OF WORK. HOWEVER, THE CONTRACTOR WILL BE PAID FOR THE QUANTITY ACTUALLY FURNISHED AT THE BID PRICE FOR THE WORK.
4. THE LOCATION AND CONFIGURATION OF ALL EXISTING PAVEMENT MARKINGS, INCLUDING NO PASSING ZONES, WILL BE NOTED PRIOR TO RESURFACING AND REPLACED IN THE SAME LOCATIONS AFTER RESURFACING. COST TO BE INCLUDED IN THE RELATED PAVEMENT MARKING PAY ITEMS.



FILE NAME =	USER NAME = #USER#	DESIGNED - TP	REVISED -	STATE OF ILLINOIS DEPARTMENT OF TRANSPORTATION	ROADWAY AND PAVEMENT MARKING PLAN IL ROUTE 25 FROM SPRING STREET TO LAUREL STREET			F.A.U. RTE. 2503	SECTION (53 + 54) RS7	COUNTY KANE	TOTAL SHEETS 38	SHEET NO. 13
#FILE#		DRAWN - TP	REVISED -		SCALE: 1"=50' SHEET NO. 13 OF 38 SHEETS STA. 185+00 TO STA. 215+00			D-91-523-09 CONTRACT NO. 60G67				
		CHECKED - FML	REVISED -		FED. ROAD DIST. NO. ILLINOIS FED. AID PROJECT							
		DATE - 04/2009	REVISED -									