

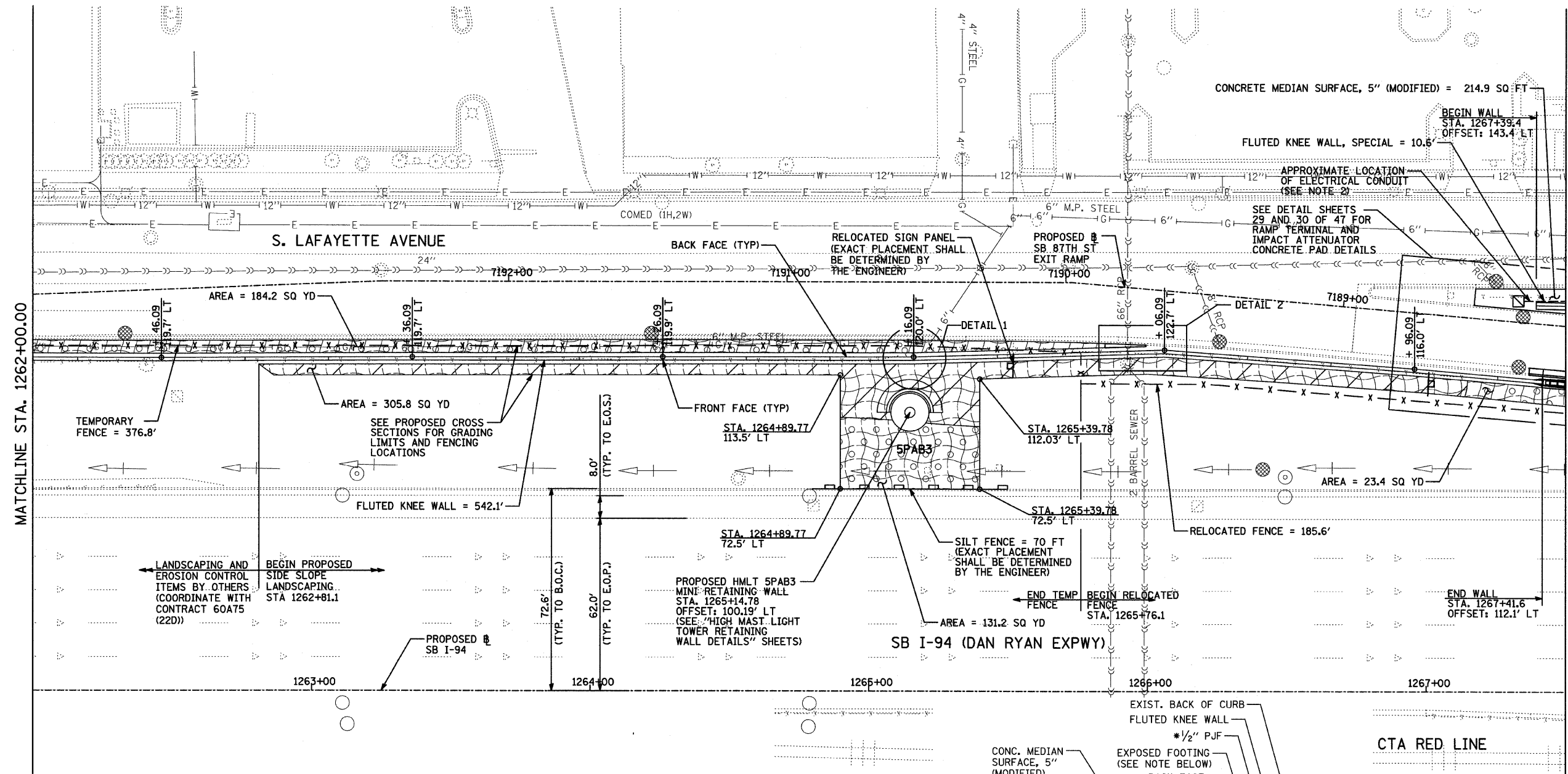
F.A.I. RTE.	SECTION	COUNTY	TOTAL SHEETS	SHEET NO.
94	1717 I-7	COOK	47	20
STA. 1259+91.12 TO STA. 1270+24.39				
FED. ROAD DIST. NO.		ILLINOIS	FED. AID PROJECT	

62979



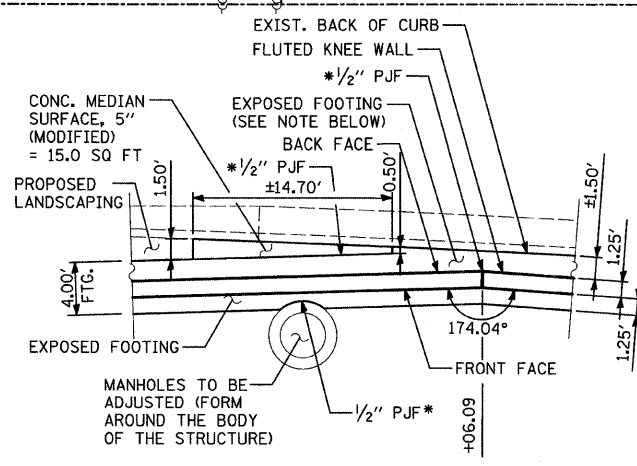
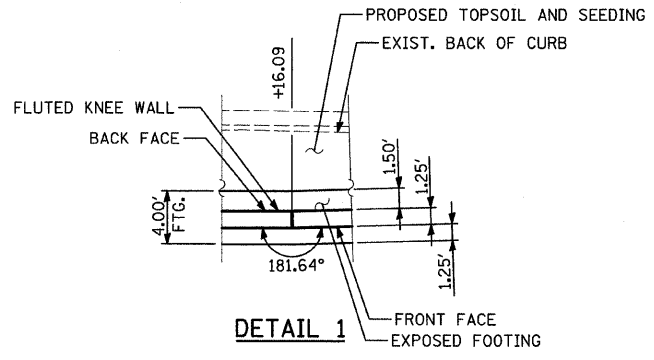
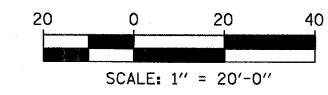
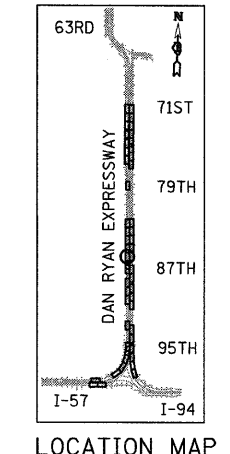
LEGEND:

- EROSION CONTROL BLANKET, SEEDING, CLASS 2A, NITROGEN, PHOSPHORUS, AND POTASSIUM FERTILIZER NUTRIENTS, TOPSOIL FURNISH AND PLACE, 4"
- EROSION CONTROL BLANKET, SEEDING, CLASS 2A, NITROGEN, PHOSPHORUS, AND POTASSIUM FERTILIZER NUTRIENTS, TOPSOIL FURNISH AND PLACE, 12"
- EROSION CONTROL BLANKET, SEEDING, CLASS 4A (MODIFIED) SEEDING, CLASS 5 (MODIFIED), TOPSOIL FURNISH AND PLACE, 12"
- EROSION CONTROL BLANKET, SEEDING, CLASS 5 (MODIFIED) SEEDING, CLASS 4A (MODIFIED) SEEDING, CLASS 5 (MODIFIED), TOPSOIL FURNISH AND PLACE, 6"
- INLET FILTER, TO BE INSTALLED IN OFF PROJECT DRAINAGE STRUCTURES ACCEPTING STORMWATER RUNOFF



MATCHLINE STA. 1267+50.00

MATCHLINE STA. 1262+00.00



- NOTES:**
- STATION AND OFFSET CALLOUTS ALONG THE LENGTH OF EITHER FLUTED KNEE WALL OR FLUTED KNEE WALL, SPECIAL ARE TAKEN FROM THE BACK FACE SIDE AT PROPOSED EXPANSION JOINT LOCATIONS.
 - THE CONTRACTOR SHALL PROTECT AND USE CAUTION DURING CONSTRUCTION OPERATIONS AROUND ALL EXISTING PUBLIC OR PRIVATE UTILITY FACILITIES.
 - CONTRACTOR SHALL COORDINATE CONSTRUCTION ACTIVITIES WITH CONTRACT 60A75 (22D).

DETAIL 2

NOTE: EXTEND FOUNDATION WIDTH UP TO 0.5 FT IN ORDER TO MEET CONCRETE MEDIAN SURFACE, 5" (MODIFIED) OR EXISTING CONCRETE CURB AND GUTTER. ADDITIONAL FOUNDATION WIDTH SHALL BE INCLUDED IN THE COST OF FLUTED KNEE WALL.

* INCLUDED IN THE COST OF FLUTED KNEE WALL.

REVISIONS	
NAME	DATE

ILLINOIS DEPARTMENT OF TRANSPORTATION
 F.A.I. 94 (DAN RYAN EXPRESSWAY)
PROPOSED PLAN
 SB I-94 (I-94 DAN RYAN EXPWY)
 STA. 1262+00.00 TO STA. 1267+50.00

SCALE: 1"=20'
 DATE: OCTOBER 17, 2008
 DRAWN BY: JDF
 CHECKED BY: JPM

TYLIN INTERNATIONAL

10/16/2008 4:06:43 PM