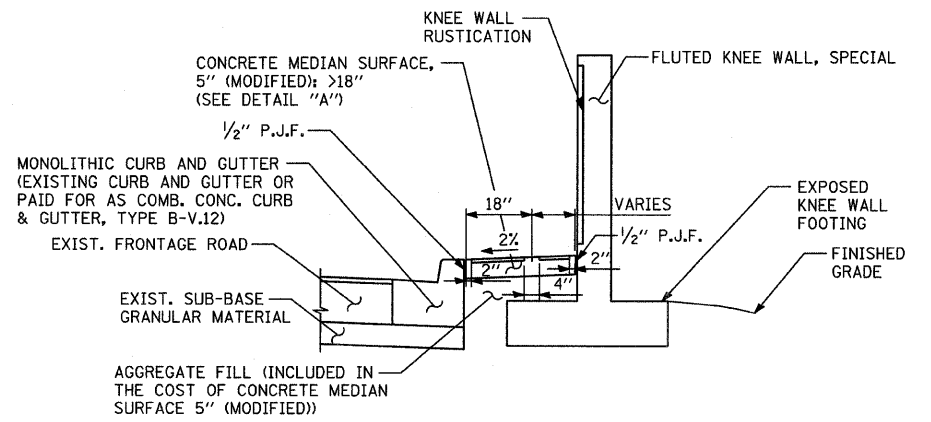
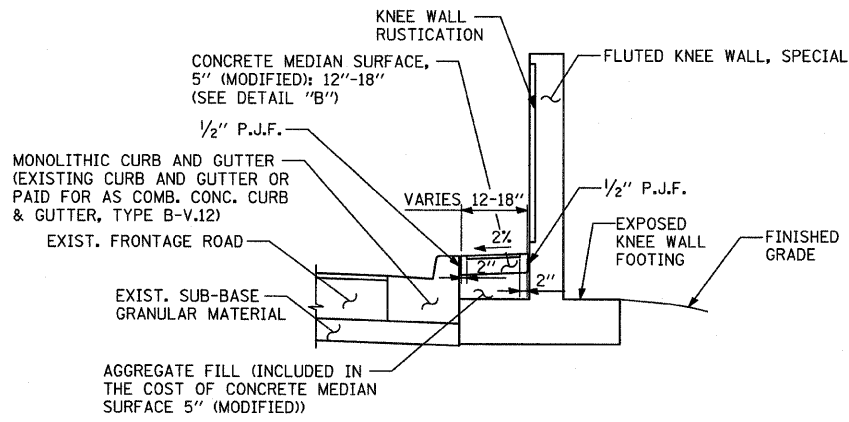
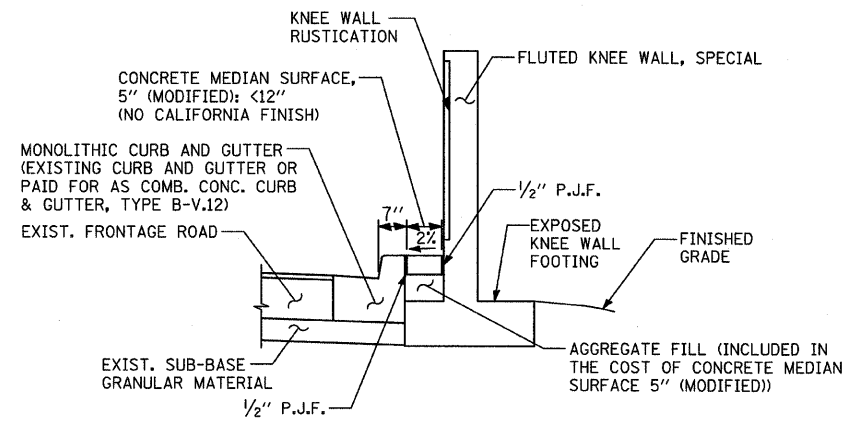


**NOTE:**  
THIS OPTION SHALL BE USED WHEN THE CARRIAGE WALK AREA MEASURES LESS THAN 12" IN WIDTH

**NOTE:**  
THIS OPTION SHALL BE USED WHEN THE CARRIAGE WALK AREA MEASURES 12" TO 18" IN WIDTH

**NOTE:**  
THIS OPTION SHALL BE USED WHEN THE CARRIAGE WALK AREA MEASURES 18" OR GREATER IN WIDTH

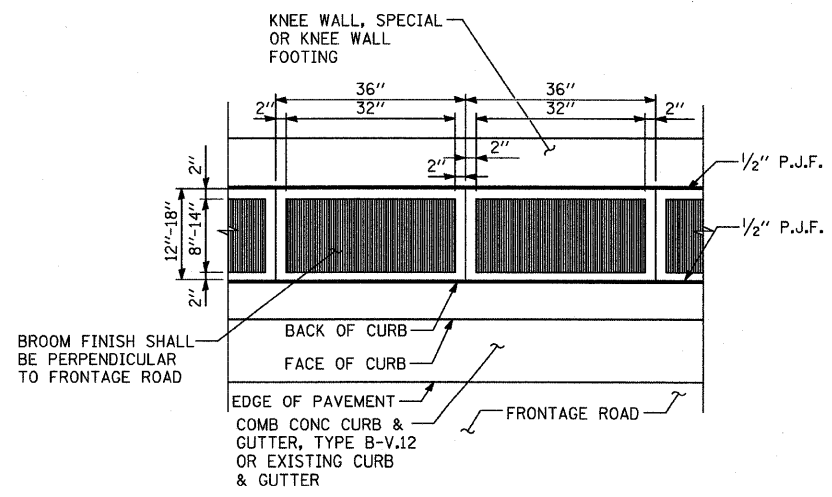
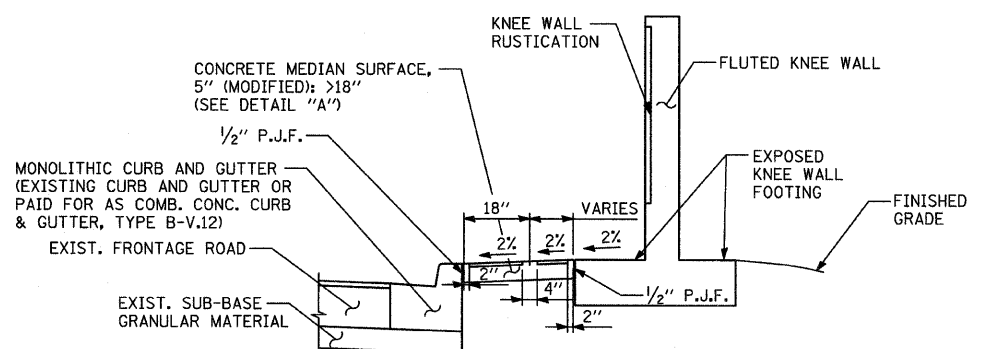
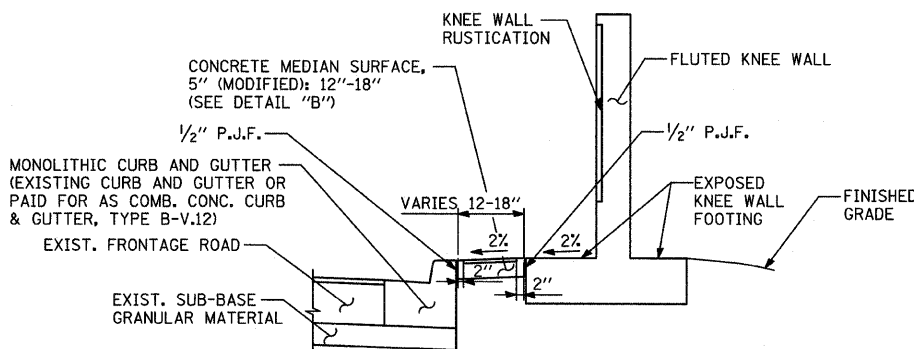
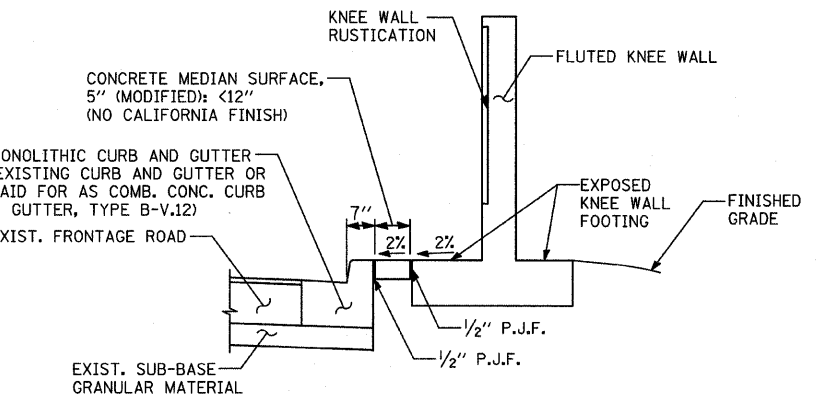
**VARIES PANEL:**  
• IF THE WIDTH IS  $\geq 4"$  THEN APPLY BROOM FINISH FLUSH TO THE KNEE WALL WITH 4" CALIFORNIA JOINT  
• IF THE WIDTH IS  $< 4"$  THEN SURFACE TO BE HARD TROWELLED (SEE DETAIL A)



CONCRETE MEDIAN SURFACE, 5" (MODIFIED) "A"  
AREA <12" WIDE

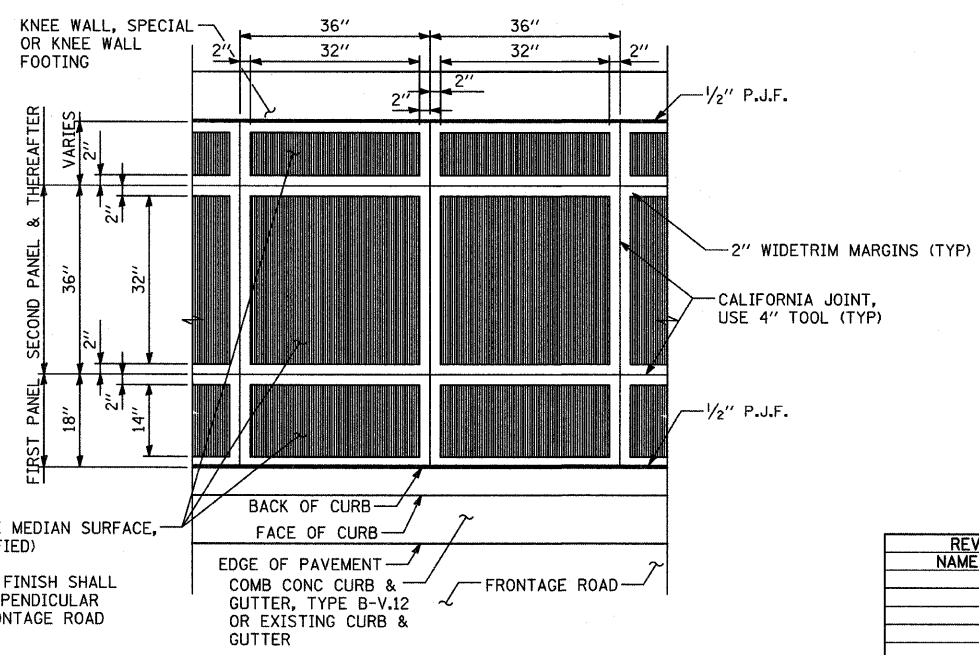
CONCRETE MEDIAN SURFACE, 5" (MODIFIED) "B"  
AREA 12"-18" WIDE

CONCRETE MEDIAN SURFACE, 5" (MODIFIED) "C"  
AREA >18" WIDE



DETAIL "B": COORDINATE WITH CONC. MED. SURFACE, 5" (MODIFIED) "B"  
CALIFORNIA FINISH

**VARIES PANEL:**  
• IF THE WIDTH IS  $\geq 4"$  THEN APPLY BROOM FINISH FLUSH TO THE KNEE WALL FACE WITH 4" CALIFORNIA JOINT  
• IF THE WIDTH IS  $< 4"$  THEN SURFACE TO BE HARD TROWELLED



DETAIL "A": COORDINATE WITH CONC. MED. SURFACE, 5" (MODIFIED) "C"  
CALIFORNIA FINISH

**NOTE:**  
NOT ALL ITEMS SHOWN ON THIS SHEET ARE PROPOSED. SEE PLANS FOR PROPOSED ITEMS.

REVISIONS	
NAME	DATE

ILLINOIS DEPARTMENT OF TRANSPORTATION  
F.A.I. 94 (DAN RYAN EXPRESSWAY)  
**CONCRETE MEDIAN SURFACE, 5" (MODIFIED) WITH CALIFORNIA FINISH DETAIL**  
SCALE: NONE  
DATE: OCTOBER 17, 2008  
DRAWN BY: JDF  
CHECKED BY: JPM

10/16/2008 4:06:52 PM