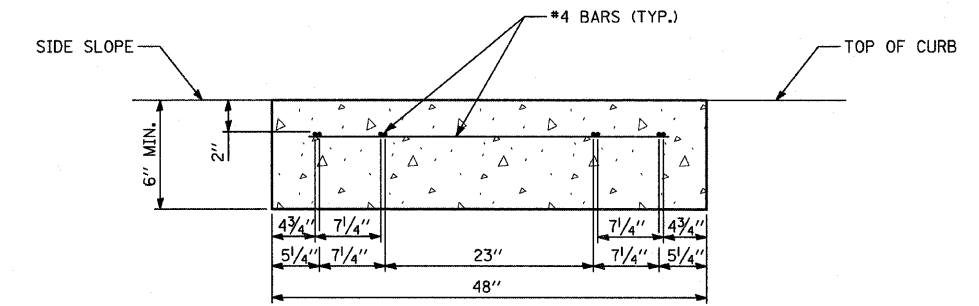
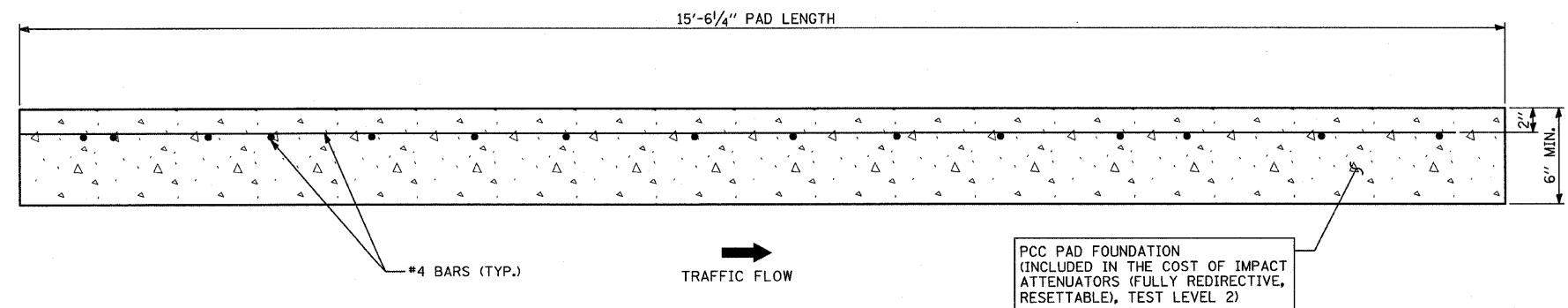


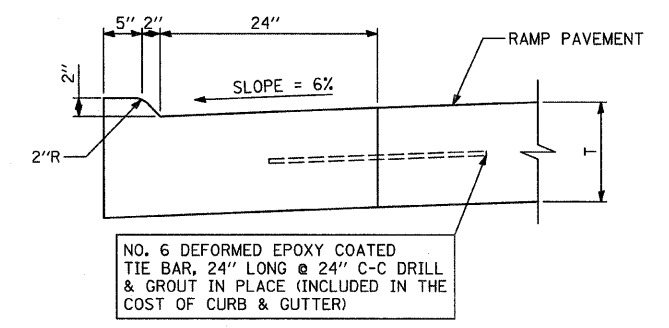
TYPICAL CONCRETE PAD PLAN VIEW



SECTION A-A



TYPICAL CONCRETE PAD ELEVATION VIEW



COMBINATION CONCRETE CURB & GUTTER, TYPE M-2.24

NOTE: CONCRETE PAD DRAWING INCLUDED FOR INFORMATIONAL PURPOSES ONLY. THE PAD FOR A SMART CUSHION INNOVATIONS TOGM SYSTEM IS DEPICTED. EXACT DIMENSIONS SHALL COMPLY WITH THE MANUFACTURER'S REQUIREMENTS FOR SPECIFIED PAY ITEM: IMPACT ATTENUATOR (FULLY REDIRECTIVE, RESETTABLE), TEST LEVEL 2

TYLIN INTERNATIONAL

REVISIONS	
NAME	DATE

ILLINOIS DEPARTMENT OF TRANSPORTATION
 F.A.I. 94 (DAN RYAN EXPRESSWAY)
 DETAIL OF CONCRETE PAD
 FOR IMPACT ATTENUATOR (FULLY
 REDIRECTIVE, RESETTABLE), TEST LEVEL 2

SCALE: NONE
 DATE: OCTOBER 17, 2008
 DRAWN BY: JDF
 CHECKED BY: JPM

10/16/2008 4:06:56 PM