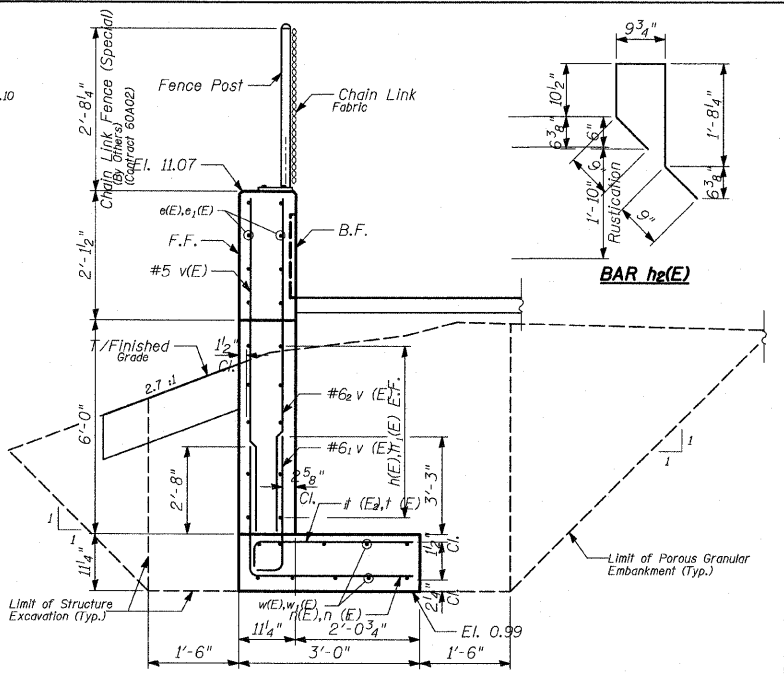
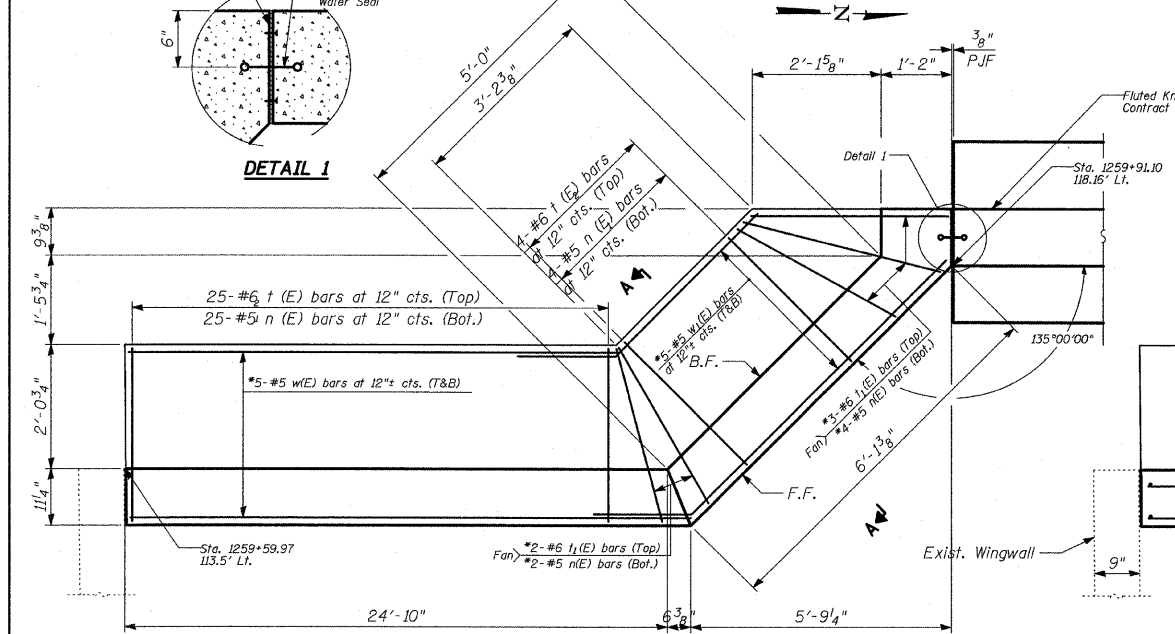
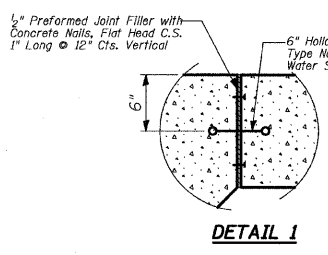
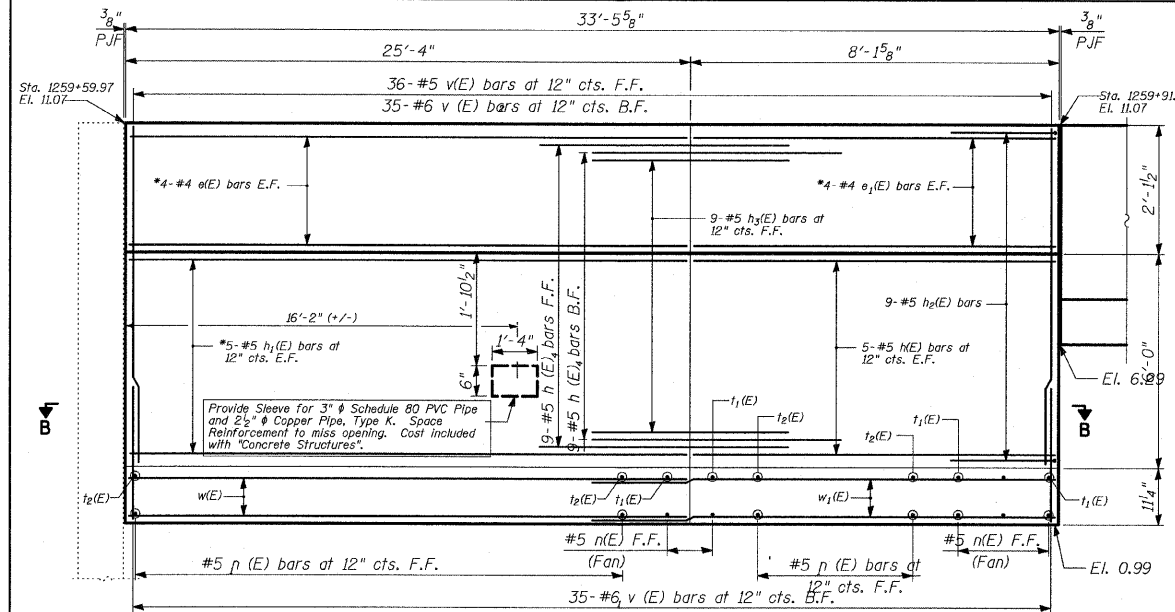


F.A.I. RTE.	SECTION	COUNTY	TOTAL SHEETS	SHEET NO.
94	2005-069 LS	COOK	60	45
STA. 1259+91.12		TO STA. 1263+40.18		
FED. ROAD DIST. NO.	ILLINOIS	FED. AID PROJECT		

60A75



SECTION A-A
Sta. 1259+59.97 to Sta. 1259+78.25

MARK TABLE

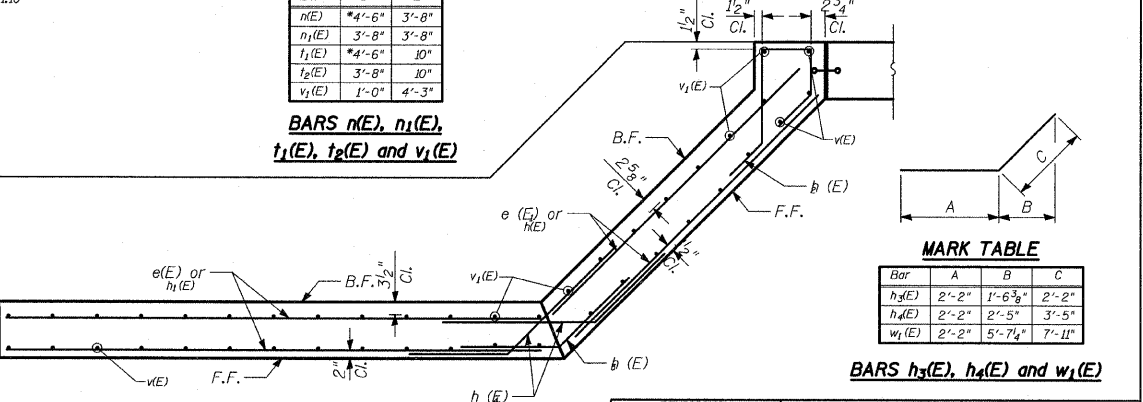
Bar	D	E
n(E)	*4'-6"	3'-8"
n1(E)	3'-8"	3'-8"
t1(E)	*4'-6"	10"
t2(E)	3'-8"	10"
v1(E)	1'-0"	4'-3"

BARS n(E), n1(E), t1(E), t2(E) and v1(E)

BILL OF MATERIAL

Bar	No.	Size	Length	Shape
e(E)	8	#4	25'-0"	
e1(E)	8	#4	7'-11"	
ME	10	#5	7'-11"	
h1(E)	10	#5	25'-0"	
h2(E)	9	#5	6'-6"	
h3(E)	9	#5	4'-4"	
h4(E)	18	#5	5'-7"	
n(E)	6	#5	8'-2"	
n1(E)	29	#5	7'-4"	
t1(E)	5	#6	5'-4"	
t2(E)	29	#6	4'-6"	
v(E)	36	#5	8'-8"	
v1(E)	35	#6	5'-3"	
v2(E)	35	#6	8'-8"	
w(E)	10	#5	25'-0"	
w1(E)	10	#5	10'-4"	
Reinforcement Bars, Epoxy Coated		POUND	2,670	
Porous Granular Embankment		CU YD	89	
Structure Excavation		CU YD	67	
Concrete Structures		CU YD	20	
Protective Coat		SQ YD	30	
Rustlocation Finish		SQ FT	56	

Reinforcement bars designated (E) shall be epoxy coated.



MARK TABLE

Bar	A	B	C
h3(E)	2'-2"	1'-6 3/8"	2'-2"
h4(E)	2'-2"	2'-5"	3'-5"
w1(E)	2'-2"	5'-7 1/4"	7'-11"

BARS h3(E), h4(E) and w1(E)

REVISIONS

NAME	DATE

ILLINOIS DEPARTMENT OF TRANSPORTATION
F.A.I. 94 (DAN RYAN EXPRESSWAY)
TYPICAL SECTIONS, ELEVATIONS AND DETAILS - CORNER GARDEN
SCALE: N.T.S. DRAWN BY: MAF
DATE: JUNE 20, 2008 CHECKED BY: PF

LEGEND
E.F. - denotes Each Face
F.F. - denotes Front Face
B.F. - denotes Back Face
T&B - denotes Top and Bottom

SECTION B-B

TYLIN INTERNATIONAL

FOUNDATION - PLAN
NW Quadrant at 87th Street

* Cut bars to fit in field

FOR INFORMATION ONLY

TYLIN INTERNATIONAL

REVISIONS

NAME	DATE

ILLINOIS DEPARTMENT OF TRANSPORTATION
F.A.I. 94 (DAN RYAN EXPRESSWAY)
TYPICAL SECTIONS, ELEVATIONS AND DETAILS - CORNER GARDEN
FOR INFORMATION ONLY
SCALE: N.T.S. DRAWN BY: MAF
DATE: OCTOBER 17, 2008 CHECKED BY: PF