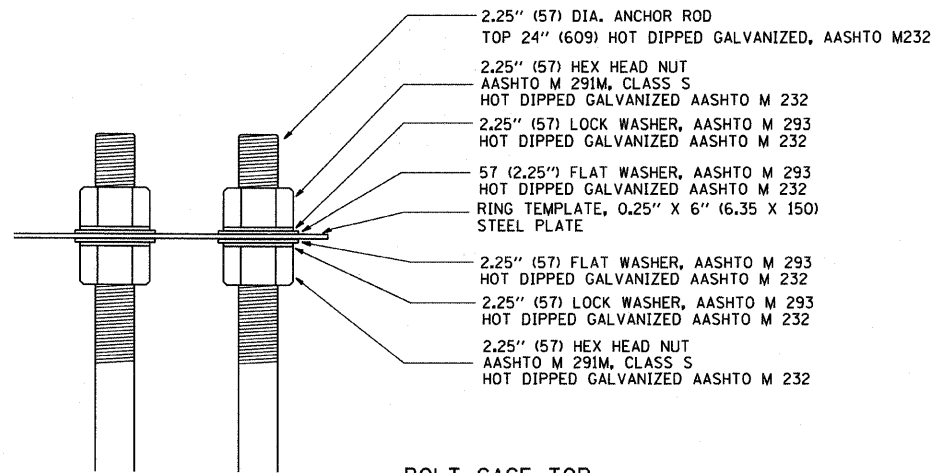
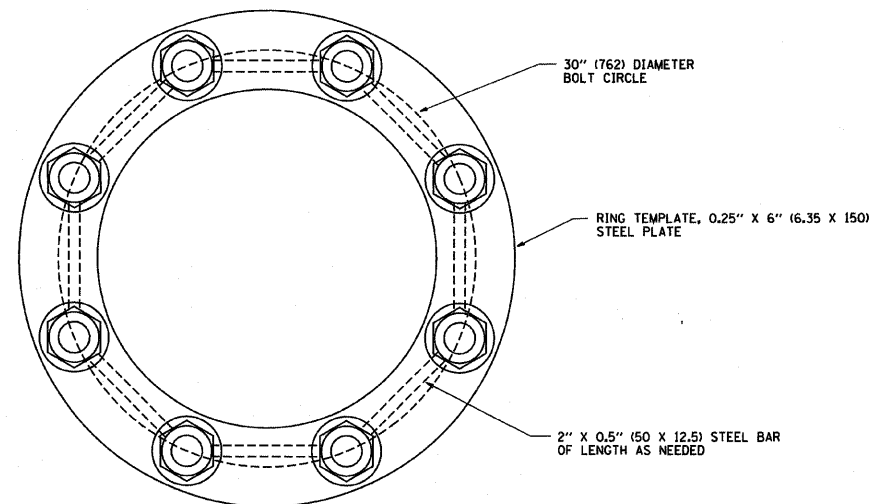


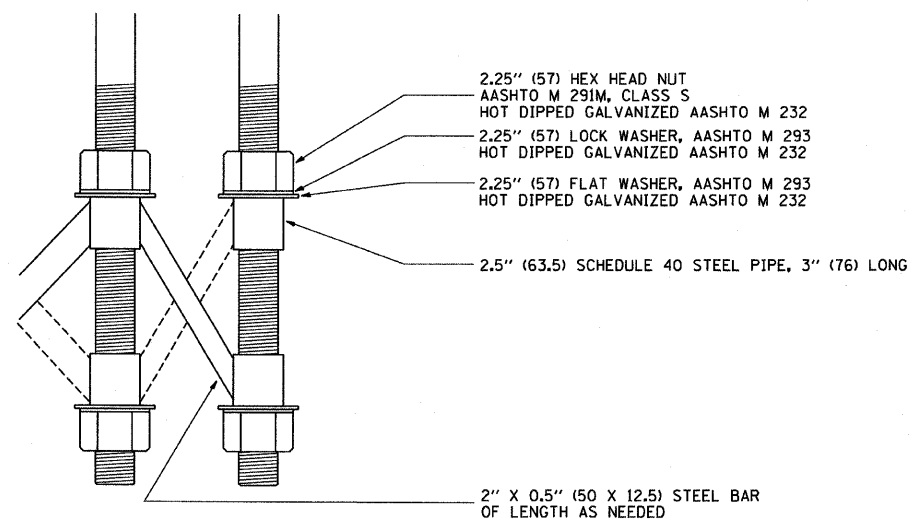
ANCHOR BOLT CAGE



BOLT CAGE TOP



SECTION A-A



BOLT CAGE BOTTOM

**NOTES**

1. ALL DIMENSIONS IN INCHES (MILLIMETERS) UNLESS OTHERWISE SHOWN
2. ANCHOR RODS SHALL BE STRAIGHT AND SHALL BE ACCORDING TO AASHTO M 314 OR ASTM F1554, GRADE 725 (GRADE 105) AND GALVANIZED ACCORDING TO ARTICLE 1006.09.
3. ANCHOR ROD INFORMATION SHALL BE SUBMITTED FOR APPROVAL AND SHALL BE FULLY COORDINATED WITH TOWER MANUFACTURERS REQUIREMENTS.

**FOR INFORMATION ONLY**

FILE NAME = W:\dstatd\22x34\be501.dgn	USER NAME = geglianobt	DESIGNED -	REVISED - R. TOMSONS 04-22-02
		DRAWN -	REVISED -
	PLOT SCALE = 50.000 / IN.	CHECKED -	REVISED -
	PLOT DATE = 1/4/2008	DATE -	REVISED -

**STATE OF ILLINOIS  
DEPARTMENT OF TRANSPORTATION**

<b>HIGH MAST LIGHT TOWER</b>			
<b>90 FT TO 120 FT (27 m TO 36 m) FOUNDATION DETAIL</b>			
SCALE: NONE	SHEET NO. 2 OF 2 SHEETS	STA.	TO STA.

F.A. RTE.	SECTION	COUNTY	TOTAL SHEETS	SHEET NO.
94	I-7	COOK	47	43
BE-501			CONTRACT NO. 62979	
FED. ROAD DIST. NO. 1   ILLINOIS   FED. AID PROJECT				