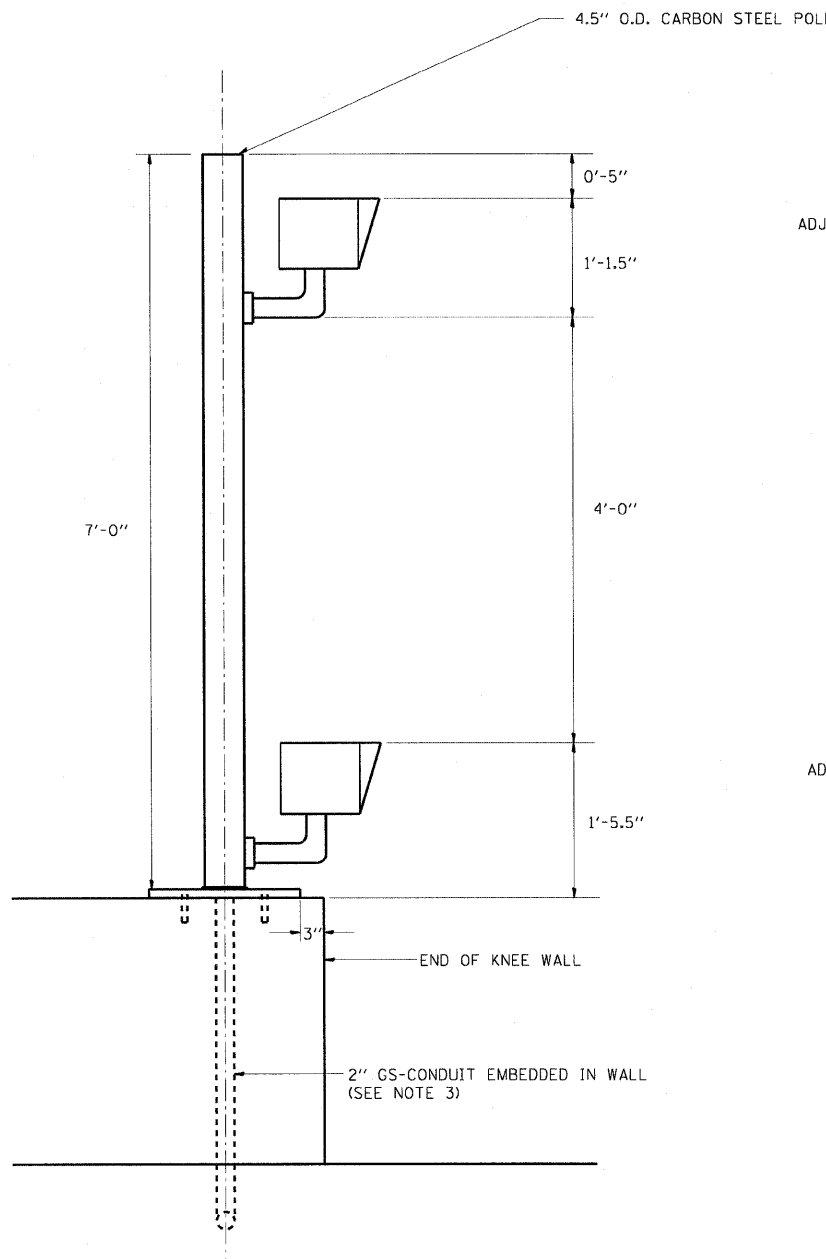


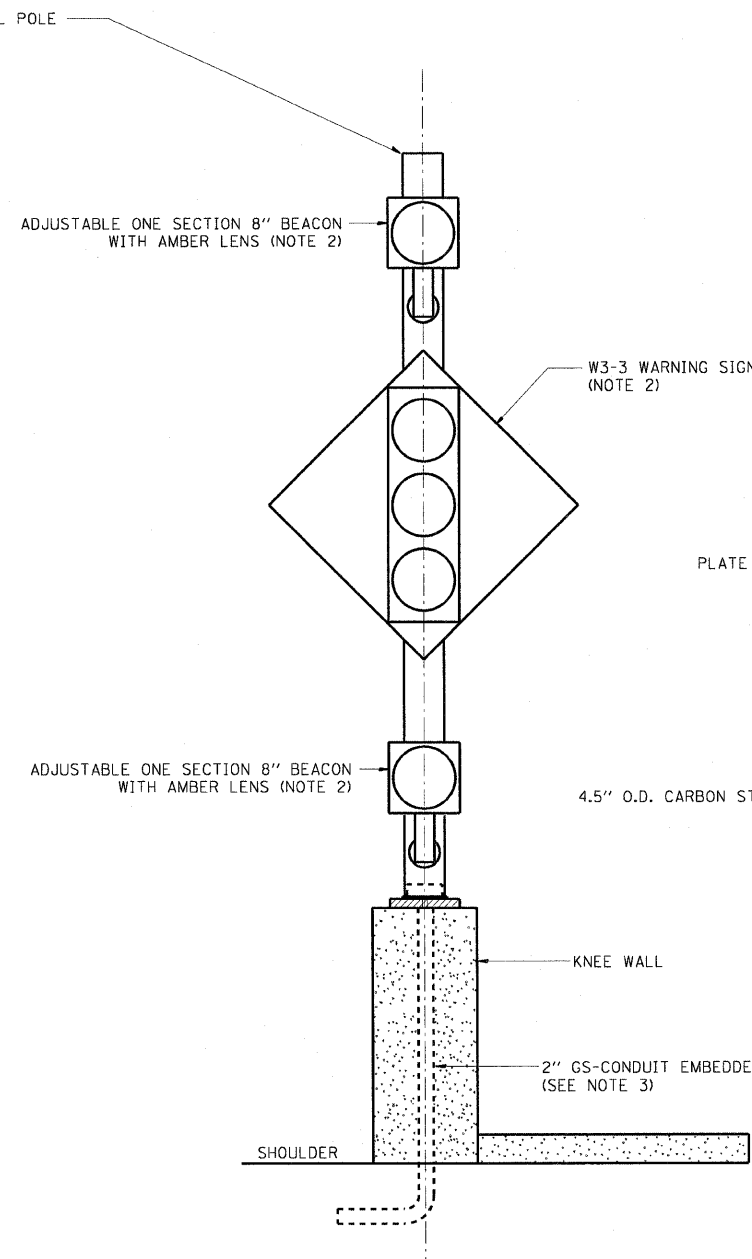
F.A.I. RTE.	SECTION	COUNTY	TOTAL SHEETS	SHEET NO.
90/94		COOK	31	22
STA.		TO STA.		
FED. ROAD DIST. NO. 1		ILLINOIS	FED. AID PROJECT	
(1919.15 & 2021-922 PT) 1		62985		

NOTES:

1. SEE STRUCTURAL DETAILS FOR CONDUIT IN KNEE WALL INSTALLATION DETAILS.
2. BEACONS AND WARNING SIGN FROM EXISTING WOOD POST ARE TO BE REINSTALLED ON THE NEW STEEL POLE AND WIRED BACK TO THE SURVEILLANCE CABINET AS SHOWN ON THE PLAN DRAWINGS. (WORK BY MEADE ELECTRIC IN CONTRACT 62583).
3. COORDINATE INSTALLATION OF CONDUIT IN WALL WITH CONTRACT 62583.

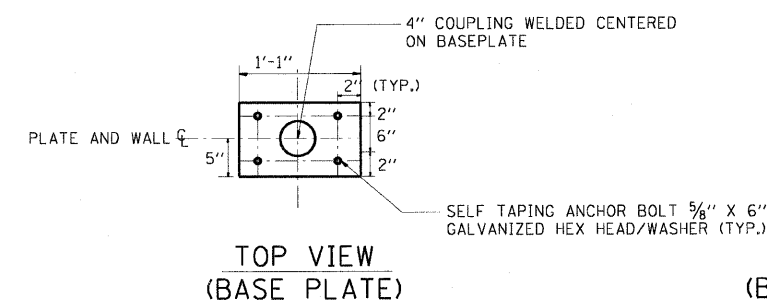


SIDE VIEW

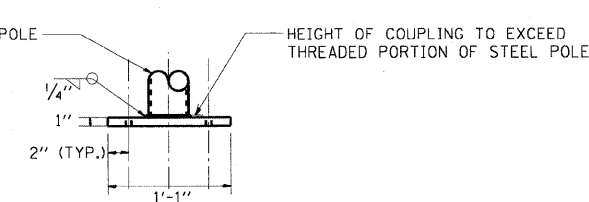


FRONT VIEW

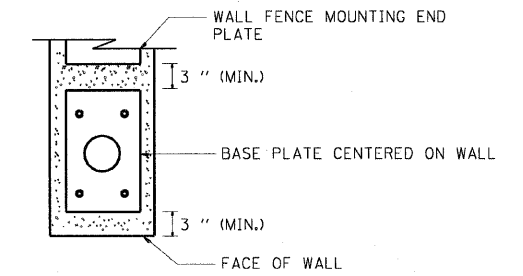
FLASHER POST ON KNEE WALL



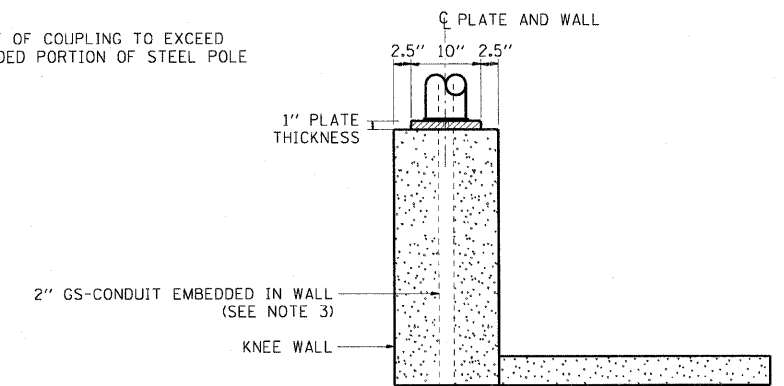
TOP VIEW (BASE PLATE)



SIDE VIEW (BASE PLATE)



TOP VIEW (BASE PLATE ON WALL)



FRONT VIEW (BASE PLATE ON WALL)

AECOM

REVISIONS	
NAME	DATE

ILLINOIS DEPARTMENT OF TRANSPORTATION
 F.A.I. 90/94 (DAN RYAN EXPRESSWAY)
 63RD ST TO 59TH ST (NB AND SB KNEE WALLS)

**RAMP METER FLASHER
 ON KNEE WALL DETAIL**

SCALE: NOT TO SCALE
 DATE: JANUARY 14, 2009

DRAWN BY: HR
 CHECKED BY: JPC

DT-35A

3/10/2009 2:03:00 PM