

STATE OF ILLINOIS
DEPARTMENT OF TRANSPORTATION

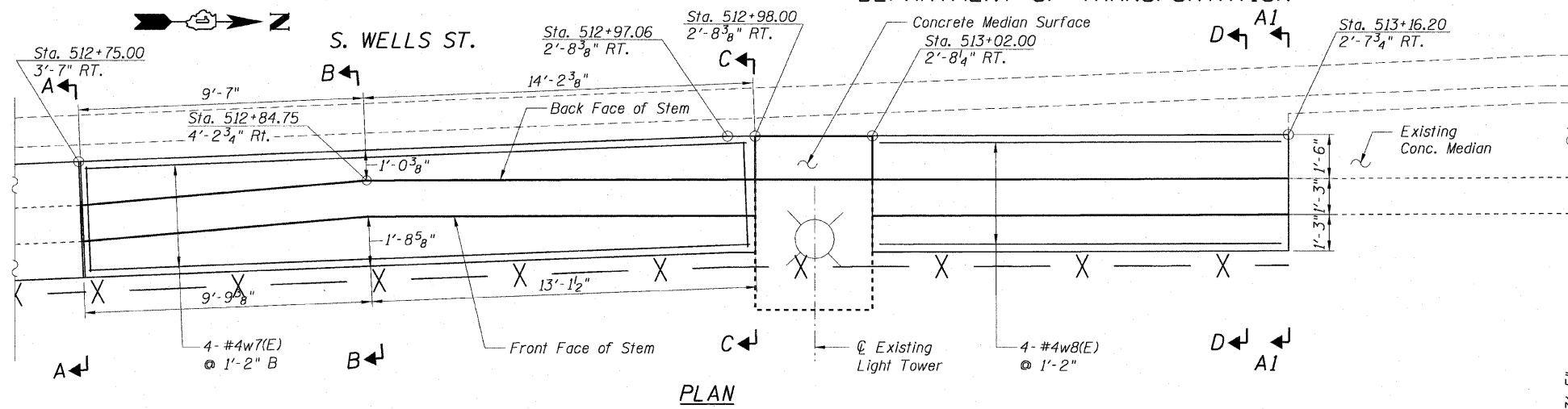
F.A.I. RTE.	SECTION	COUNTY	TOTAL SHEETS	SHEET NO.
90/94		COOK	31	27
STA.		TO STA.		
FED. ROAD DIST. NO. 1		ILLINOIS FED. AID PROJECT		
(1919.15 & 2021-922 PT) 1		62985		

NOTES:

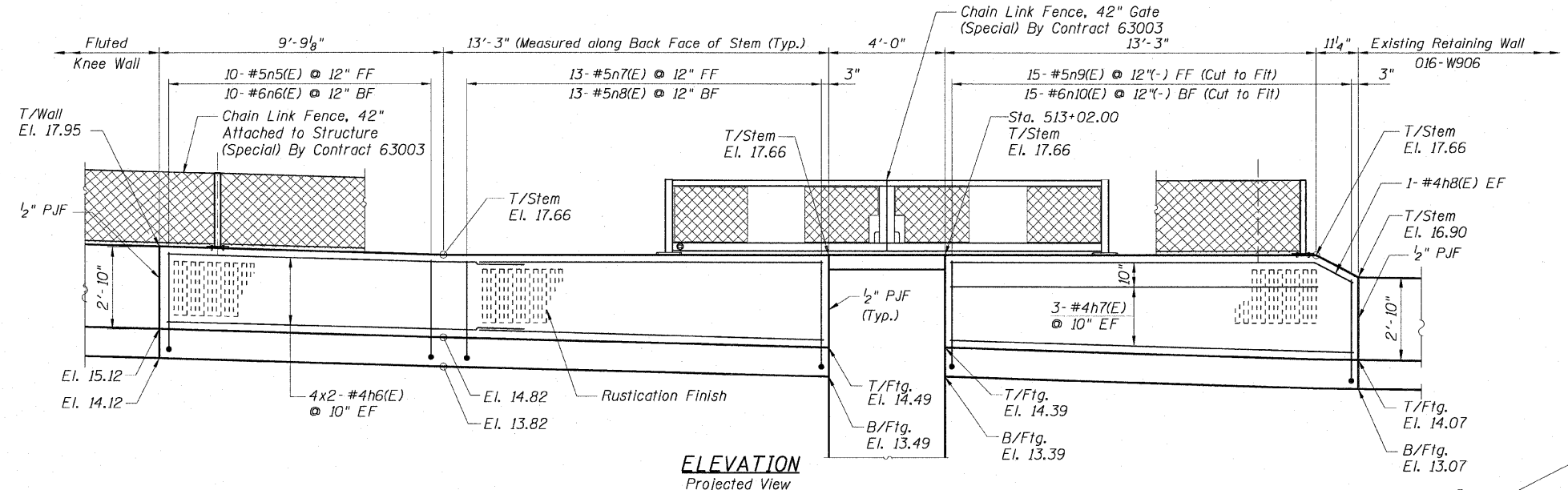
- For location of Fluted Knee Wall, see Civil Drawings. Stations and offsets are measured from the S. Wells St. to the Wells St. face of the stem.
- A protective coat shall be applied according to Section 503.19 of the Standard Specifications to the top of stem and to the face of stem and top of footing on the Frontage Road side of the Knee Wall for Structural Detail 4.
- For additional Notes, see Sheet S4.
- For dimensions and details not shown in the sections, see Standard Knee Wall Details Sheet S1.

BILL OF MATERIAL

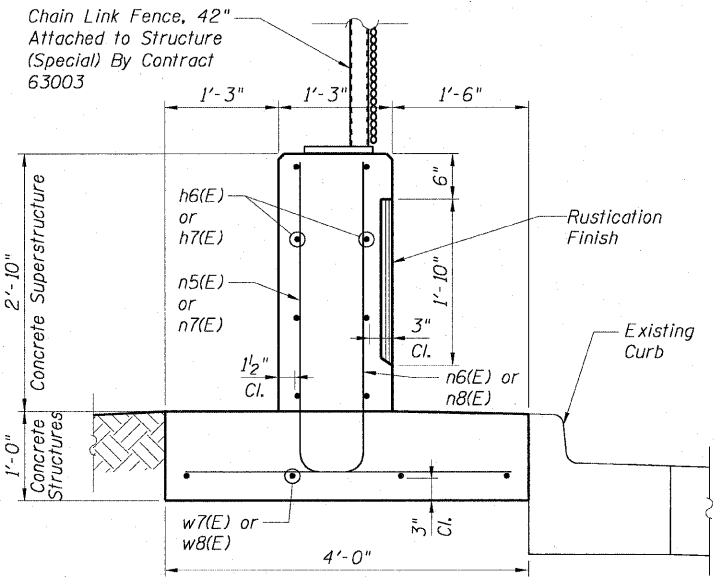
Bar	No.	Size	Length	Shape
h6(E)	16	#4	12'-2"	
h7(E)	6	#4	13'-10"	
h8(E)	2	#4	14'-1"	
n5(E)	10	#5	5'-11"	
n6(E)	10	#6	5'-5"	
n7(E)	13	#5	6'-2"	
n8(E)	13	#6	6'-0"	
n9(E)	15	#5	6'-5"	
n10(E)	15	#6	6'-1"	
w7(E)	4	#4	22'-7"	
w8(E)	4	#4	13'-10"	
Item		Unit	Quantity	
Concrete Structures		Cu. Yd.	5.5	
Concrete Superstructure		Cu. Yd.	5.4	
Reinforcement Bars, Epoxy Coated		Pound	883	
Rustication Finish		Sq. Ft.	64	
Protective Coat		Sq. Yd.	24	



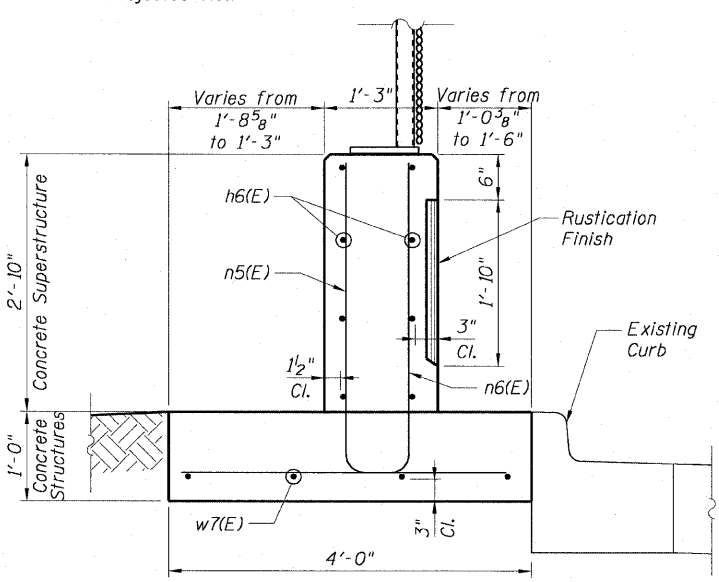
PLAN



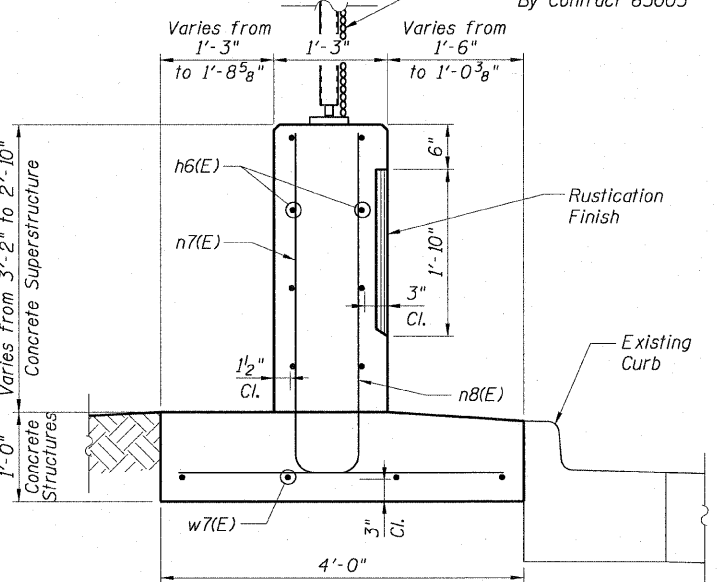
ELEVATION
Projected View



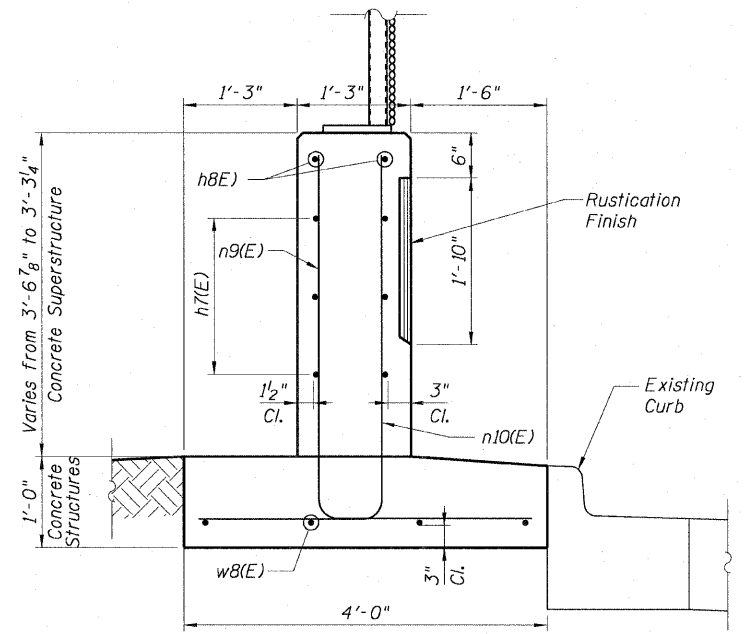
SECTIONS A-A & A1-A1



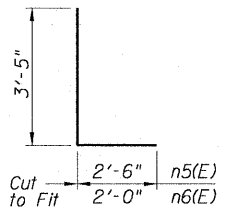
SECTION B-B



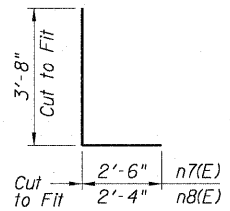
SECTION C-C



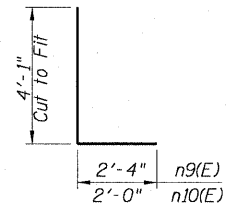
SECTION D-D



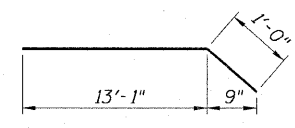
BARS n5(E) and n6(E)



BARS n7(E) and n8(E)



BARS n9(E) and n10(E)



BAR h8(E)

REVISIONS	NAME	DATE

ILLINOIS DEPARTMENT OF TRANSPORTATION
F.A.I. 90/94 (DAN RYAN EXPRESSWAY)
63RD ST TO 59TH ST (NB AND SB KNEE WALLS)
STRUCTURAL DETAIL 4
HMLT 7SCD2 PEDESTAL
STA. 512+75.00 TO STA. 513+16.20
WELLS STREET

SCALE: None
DATE: JANUARY 14, 2009
DRAWN BY: CHD
CHECKED BY: MJP

AECOM

Sheet S5 of 5

V:\schaff\p201\p40468\90-94\68\str\cct\28-knee-wall-1_fence\str\contract 28\17280052\st