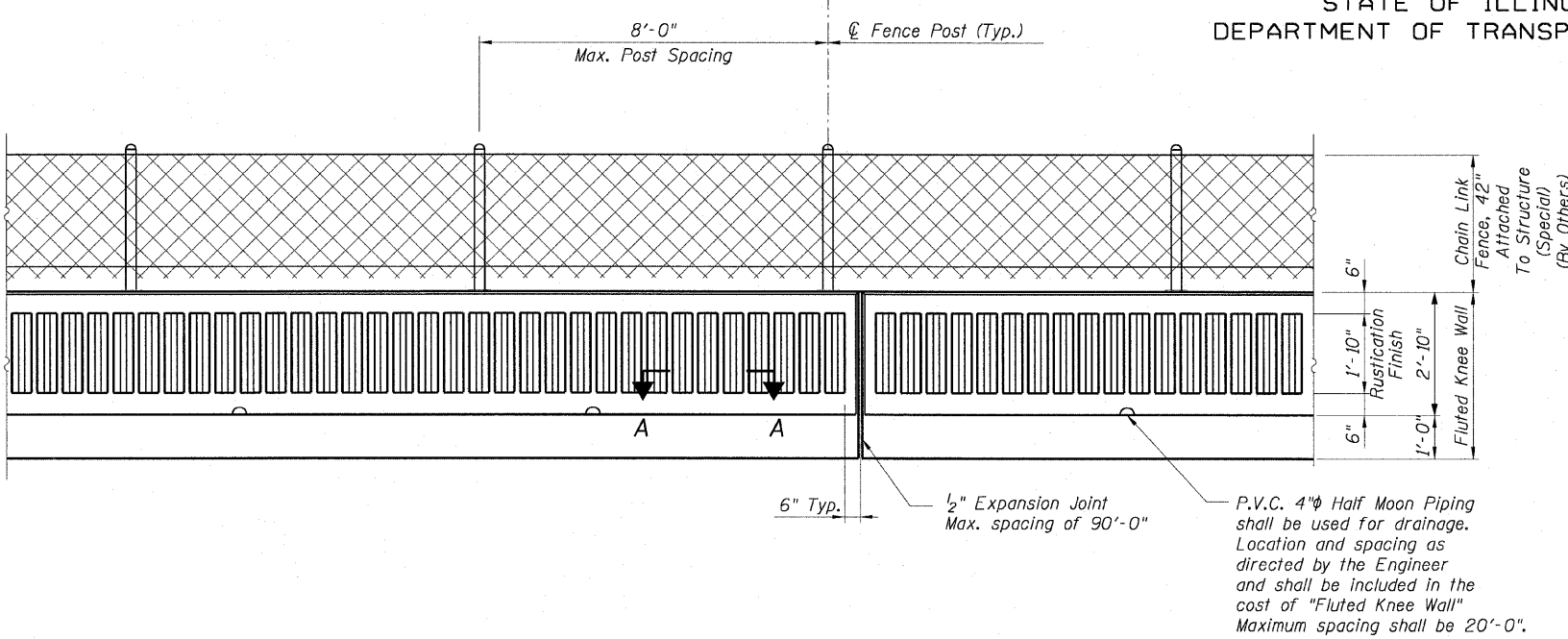
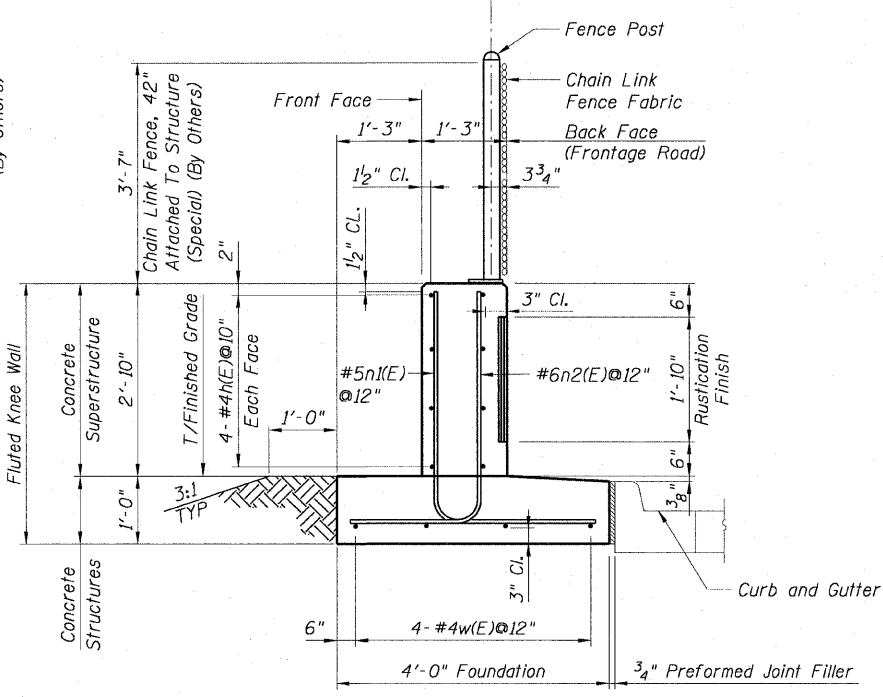


STATE OF ILLINOIS
DEPARTMENT OF TRANSPORTATION

F.A.I. RTE.	SECTION	COUNTY	TOTAL SHEETS	SHEET NO.
90/94	*	COOK	22	19
STA.	TO STA.			
FED. ROAD DIST. NO. 1 ILLINOIS FED. AID PROJECT				
* (2021-922 PT1) & 2122-921 PT1) 1-1 62986				

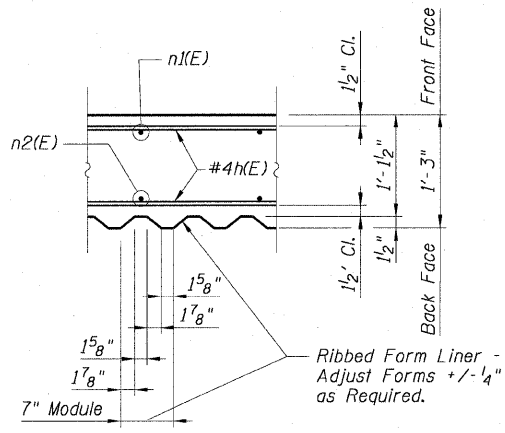


BACK FACE ELEVATION - FLUTED KNEE WALL AND CHAIN LINK FENCE

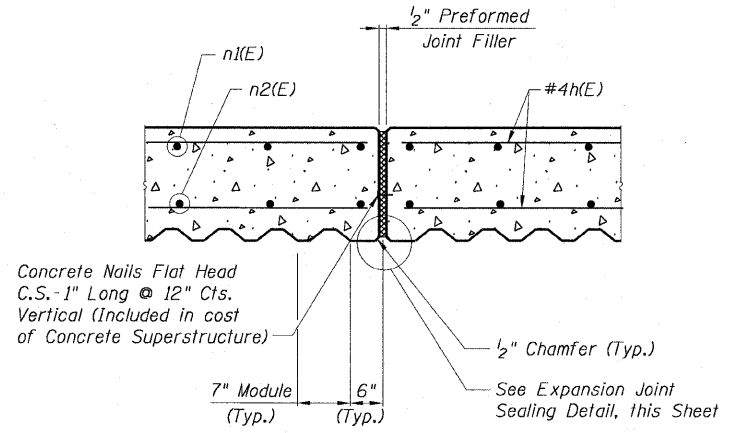


TYPICAL SECTION
FLUTED KNEE WALL

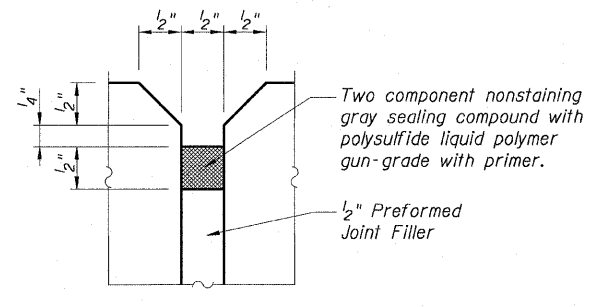
- NOTES:**
1. Reinforcement bar shall conform to the requirements of AASHTO M-31 or M-322 Grade 60.
 2. Concrete: $f'c = 3500$ psi
 3. Fluted knee wall shall be paid for per foot as "Fluted Knee Wall." Included in the cost of "Fluted Knee Wall" shall be "Concrete Superstructures" stem, "Concrete Structures" foundation, reinforcement bars (epoxy coated), rustication finish, protective coat, expansion joint filler and sealing compound.
 4. At locations where Fluted Knee Wall abuts a rigid structure, a 1/2" thick preformed expansion joint filler (PJF) conforming to the shape of the structure shall be installed between the wall and the structure. 3/4" PJF shall be installed where Fluted Knee Wall footing abuts curb and gutter. The cost shall be included in "Fluted Knee Wall."
 5. Quantities shown in "Bill of Material" are for one (1) foot of "Fluted Knee Wall."
 6. Chain Link Fence will not be paid for in this Contract, but shall be furnished and installed in Contract 63003.
 7. Protective Coat shall be applied according to Section 503.19 of the Standard Specifications to the top of stem and to the face of stem and top of footing on the Frontage Road side of the Knee Wall.
 8. Minimum lap length for #4 bars shall be 1'-8".



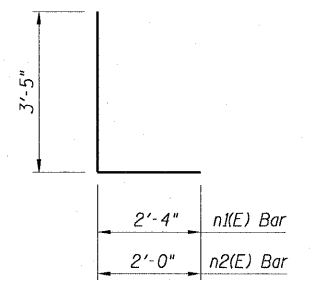
SECTION A-A



EXPANSION JOINT DETAIL



EXPANSION JOINT
SEALING DETAIL



BARS #5n1(E) and #6n2(E)

- LEGEND:**
- Chain Link Fabric
 - Rustication Finish
 - Earth
 - Concrete

QUANTITIES PER FOOT OF FLUTED KNEE WALL		
ITEM	UNIT	QUANTITY
Reinforcement Bars, Epoxy Coated	Pound	23
Concrete Superstructure	Cu. Yd.	0.14
Concrete Structures	Cu. Yd.	0.15
Rustication Finish	Sq. Ft.	1.8
Protective Coat	Sq. Yd.	0.62

REVISIONS	
NAME	DATE

Sheet 51 of 1

ILLINOIS DEPARTMENT OF TRANSPORTATION
F.A.I. 90/94 (DAN RYAN EXPRESSWAY)
59TH ST TO 47TH ST (NORTHBOUND KNEE WALLS)

FLUTED KNEE WALL STANDARD DETAILS

SCALE: None DRAWN BY: CHD
DATE: JANUARY 14, 2009 CHECKED BY: MJP

AECOM