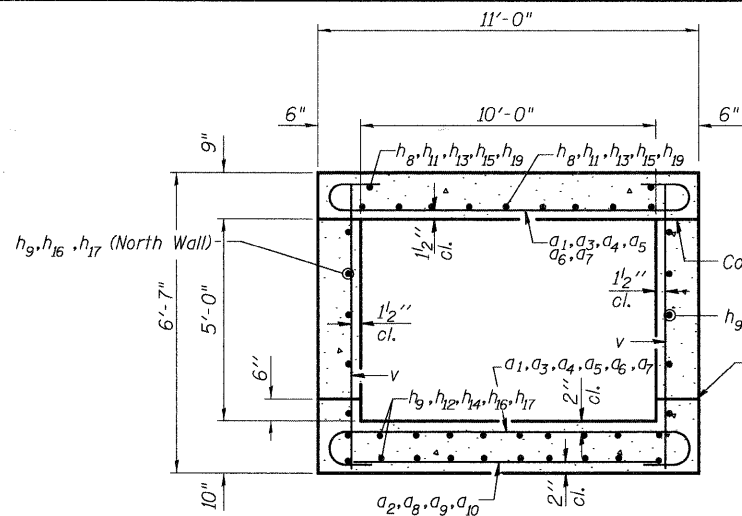
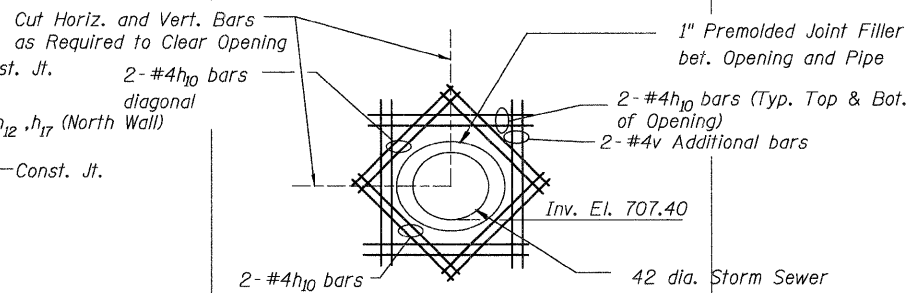


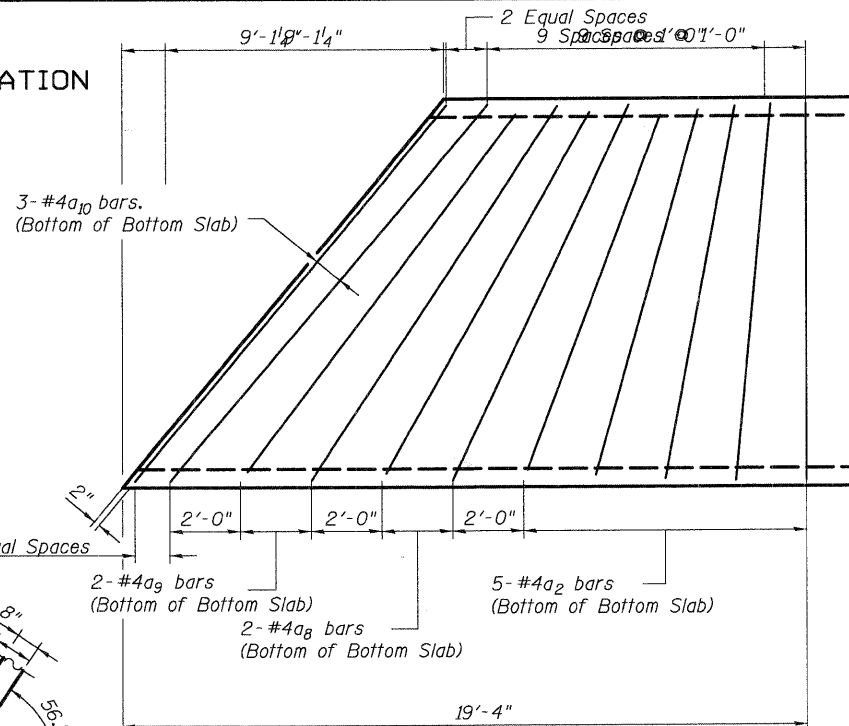
STATE OF ILLINOIS  
DEPARTMENT OF TRANSPORTATION



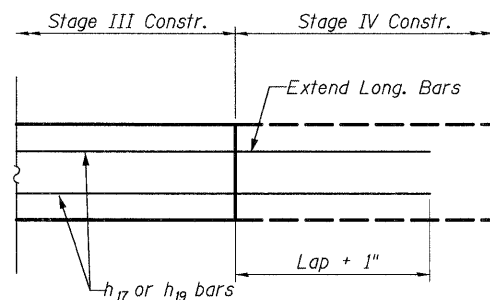
SECTION THRU BARREL



DETAIL "B"

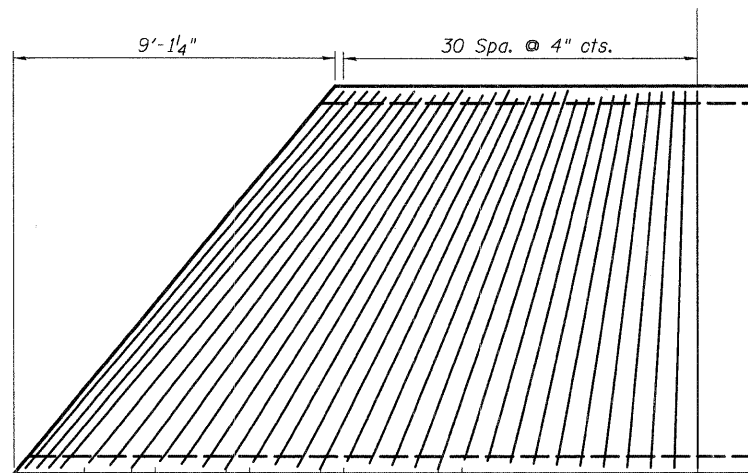


END CULVERT BAR DIAGRAM  
Bottom of Bottom Slab



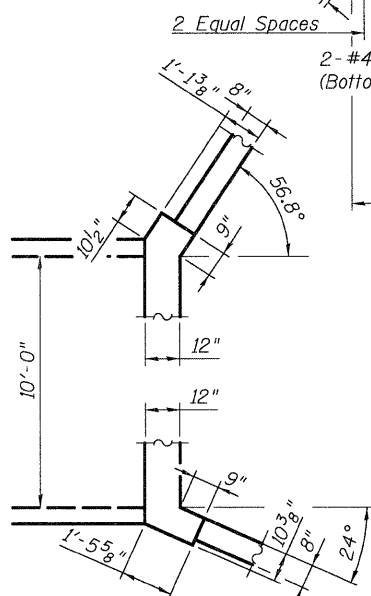
SECTION F-F

Lap Length #5 Bar = 1'-8"  
Lap Length #7 Bar = 2'-9"  
Note: Contractor may use bar splicers.

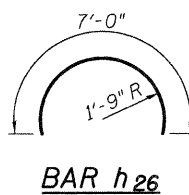


END CULVERT BAR DIAGRAM

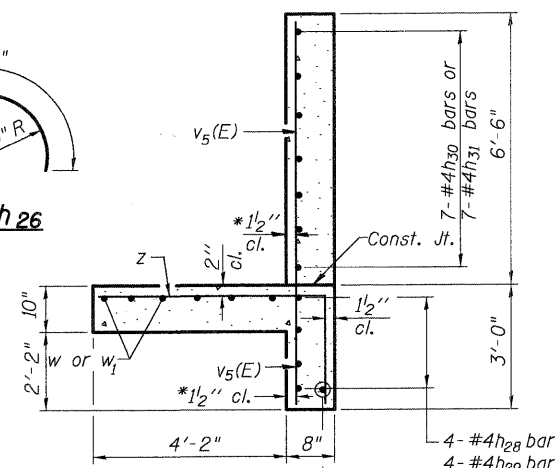
Bottom of Top Slab and Top of Bottom Slab



CORNER DIMENSIONS  
(Elev. 713.85 to 714.60)

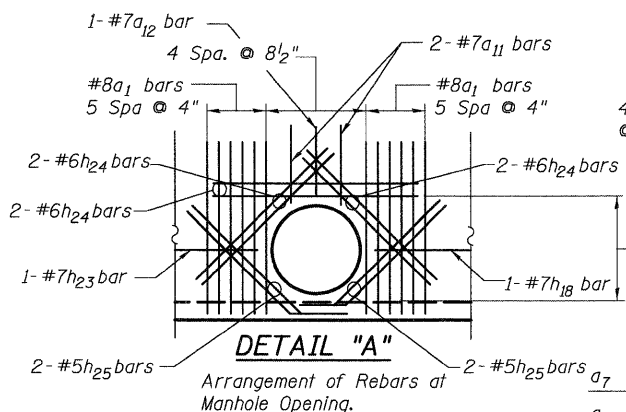


BAR h26



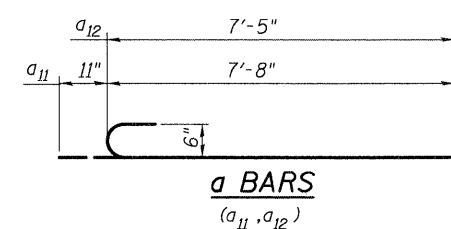
SECTION C-C  
TYPICAL WINGWALL SECTION

\*v5(E) bars shall not be placed more than 1/2" cl. from back face of wingwall.

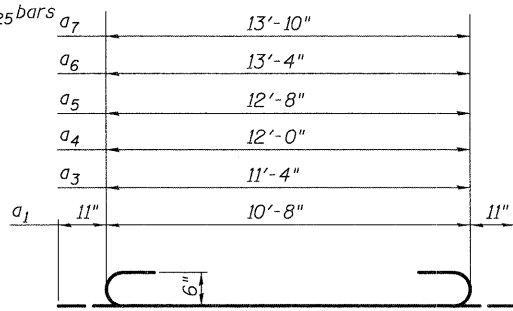


DETAIL "A"

Arrangement of Rebars at Manhole Opening.

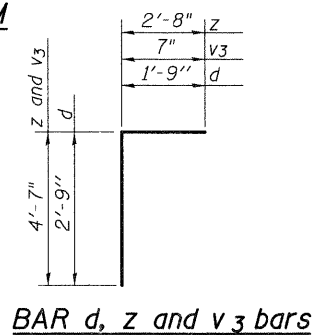


a BARS  
(a11, a12)

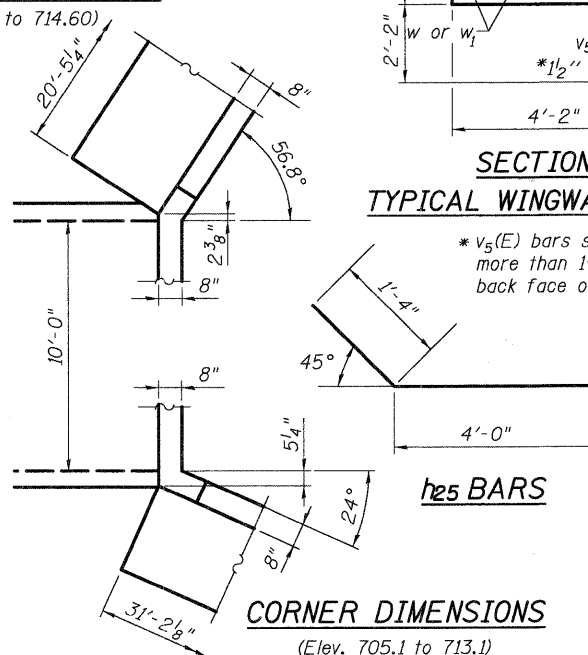


a BARS

(a1, a3, a4, a5, a6, a7)

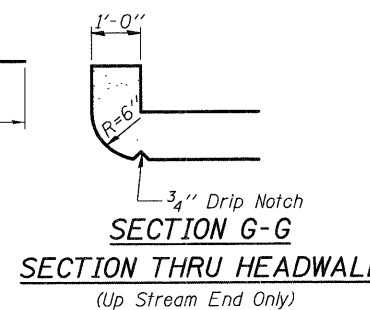


BAR d, z and v3 bars



CORNER DIMENSIONS

(Elev. 705.1 to 713.1)



SECTION G-G  
SECTION THRU HEADWALL  
(Up Stream End Only)

BILL OF MATERIAL  
CULVERT 2 - STAGE III & IV

Bar	No.	Size	Length	Shape
a1	888	#8	12'-6"	U
a2	122	#4	10'-9"	U
a3	5	#8	13'-2"	U
a4	4	#8	13'-10"	U
a5	4	#8	14'-6"	U
a6	3	#8	15'-2"	U
a7	4	#8	15'-8"	U
a8	2	#4	11'-9"	U
a9	2	#4	12'-8"	U
a10	3	#4	13'-10"	U
a11	2	#7	8'-7"	U
a12	1	#7	8'-4"	U
d	10	#4	4'-6"	L
h3	2	#6	10'-8"	U
h8	44	#7	36'-8"	U
h9	120	#5	35'-10"	U
h10	12	#4	6'-4"	U
h11	4	#7	21'-10"	U
h12	11	#5	20'-8"	U
h13	3	#7	19'-0"	U
h14	6	#5	17'-10"	U
h15	4	#7	16'-2"	U
h16	13	#5	15'-0"	U
h17	90	#5	33'-5"	U
h18	1	#7	9'-9"	U
h19	32	#7	34'-6"	U
h23	1	#7	22'-0"	U
h24	4	#6	5'-3"	U
h25	4	#5	5'-4"	U
h26	10	#5	7'-0"	U
h27	4	#4	10'-8"	U
h28	5	#4	21'-7"	U
h29	5	#4	32'-4"	U
h30	7	#4	19'-2"	U
h31	7	#4	29'-8"	U
v	668	#4	6'-3"	U
v2	12	#4	5'-11"	U
v3	2	#4	5'-2"	U
v5(E)	54	#5	9'-2"	U
w	6	#5	20'-1"	U
w1	6	#5	30'-10"	U
z	70	#5	7'-3"	U

Concrete Box Culverts	Cu. Yd.	231
Reinforcement Bars	Pound	49,998
Epoxy Coated Reinforcement Bars	Pound	517
Structure Excavation	Cu. Yd.	500
Rock Excavation	Cu. Yd.	1,857

CULVERT NO. 2  
SECTIONS & DETAILS  
STRUCTURE NO. 045-0331

DESIGNED	200
CHECKED	EXAMINED
DRAWN	PASSED
CHECKED	ENGINEER OF BRIDGES AND STRUCTURES

McDonough Associates Inc.  
Engineers / Architects  
130 East Randolph Street  
Chicago, Illinois 60601  
(312) 946-8600

SHEET NO.	RTE.	SECTION	COUNTY	TOTAL SHEETS	SHEET NO.
BC05	361	06-00214-02-BR	KANE	219	123
BC09 SHEETS		SN 045-0331	CONTRACT NO. 63073		
	FED. ROAD DIST. NO. 1	ILLINOIS	FED. AID PROJECT		