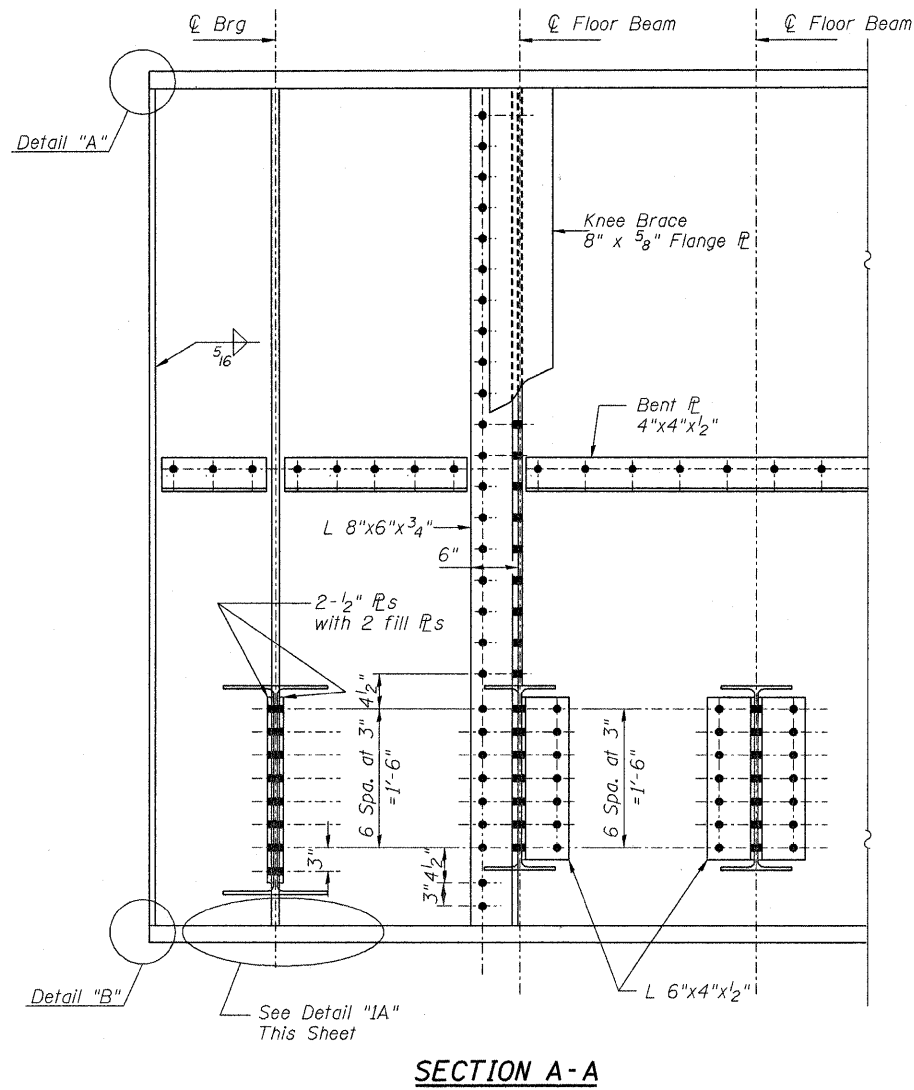
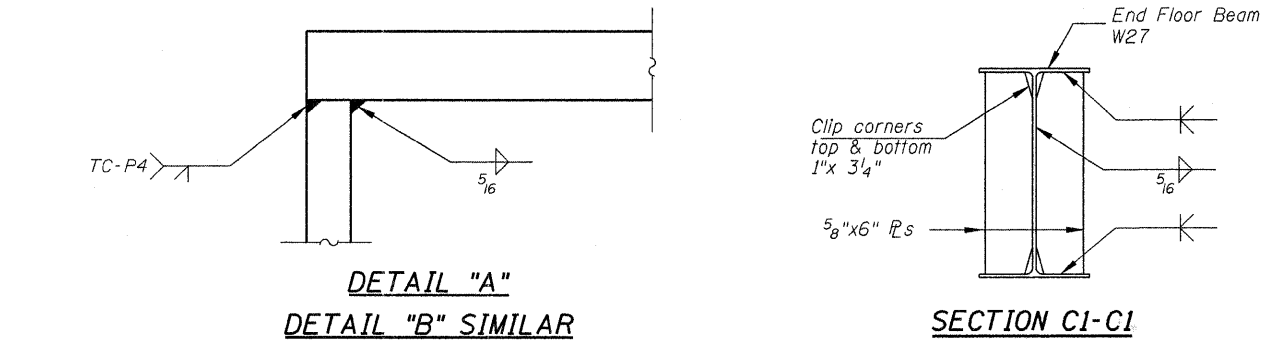


STATE OF ILLINOIS
DEPARTMENT OF TRANSPORTATION

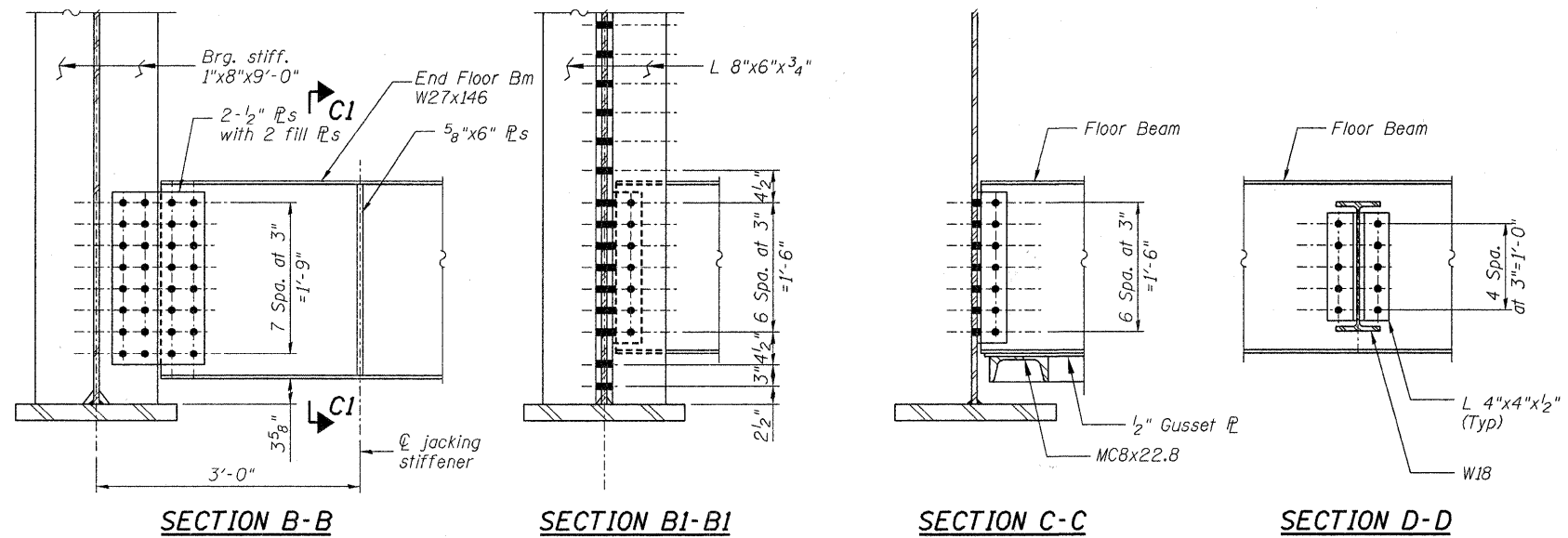


SECTION A-A



DETAIL "A"
DETAIL "B" SIMILAR

SECTION C1-C1

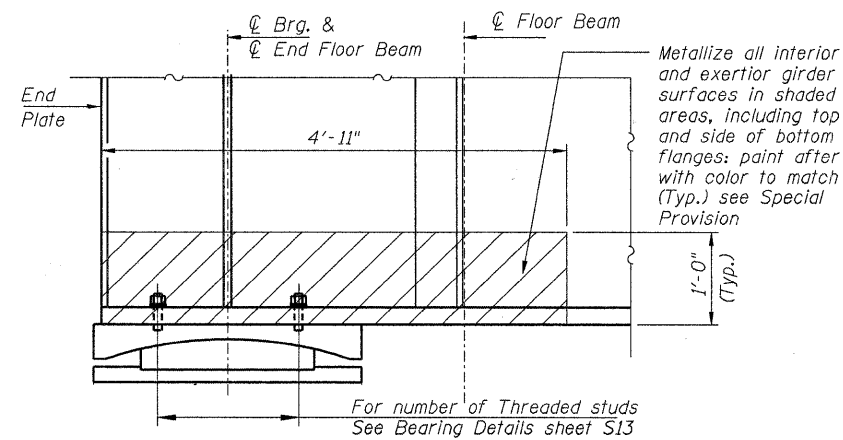


SECTION B-B

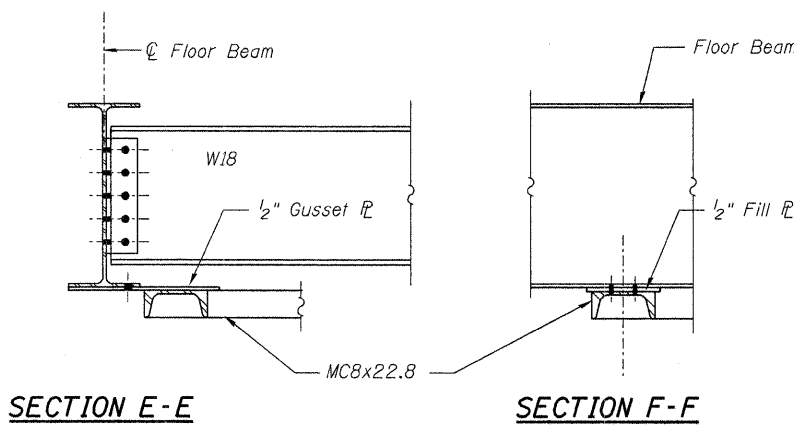
SECTION B1-B1

SECTION C-C

SECTION D-D



DETAIL "IA"



SECTION E-E

SECTION F-F

NOTES:
Metallizing in accordance with SSPC-CS 23.00
or ASTM B833 Zinc Metallizing shall not be less
than 0.01" thickness.

DESIGNED	KJH
CHECKED	MGB
DRAWN	RJ
CHECKED	BKB

McDonough Associates Inc.
Engineers / Architects
130 East Randolph Street
Chicago, Illinois 60601
(312) 946-8600

CN North America's Railroad	
FREEPORT SUBDIVISION	
BRIDGE NO. W40.07	
SHEET NO. S9	RTE.
S21 SHEETS	361

STEEL DETAILS -2
STRUCTURE NO. 045-3163

SECTION	COUNTY	TOTAL SHEETS	SHEET NO.
06-00214-02-BR	KANE	219	136
SN 045-3163		CONTRACT NO. 63073	
FED. ROAD DIST. NO. 1 ILLINOIS FED. AID PROJECT			