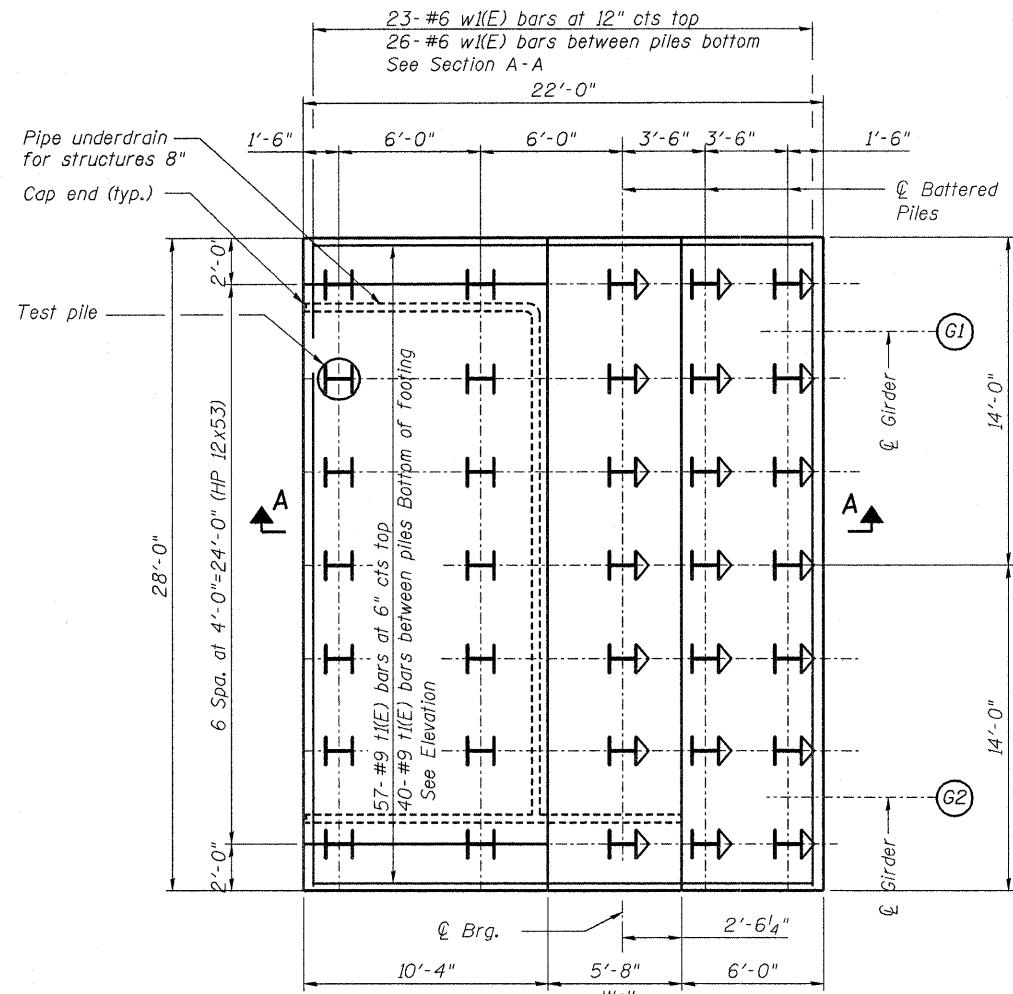
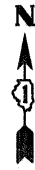
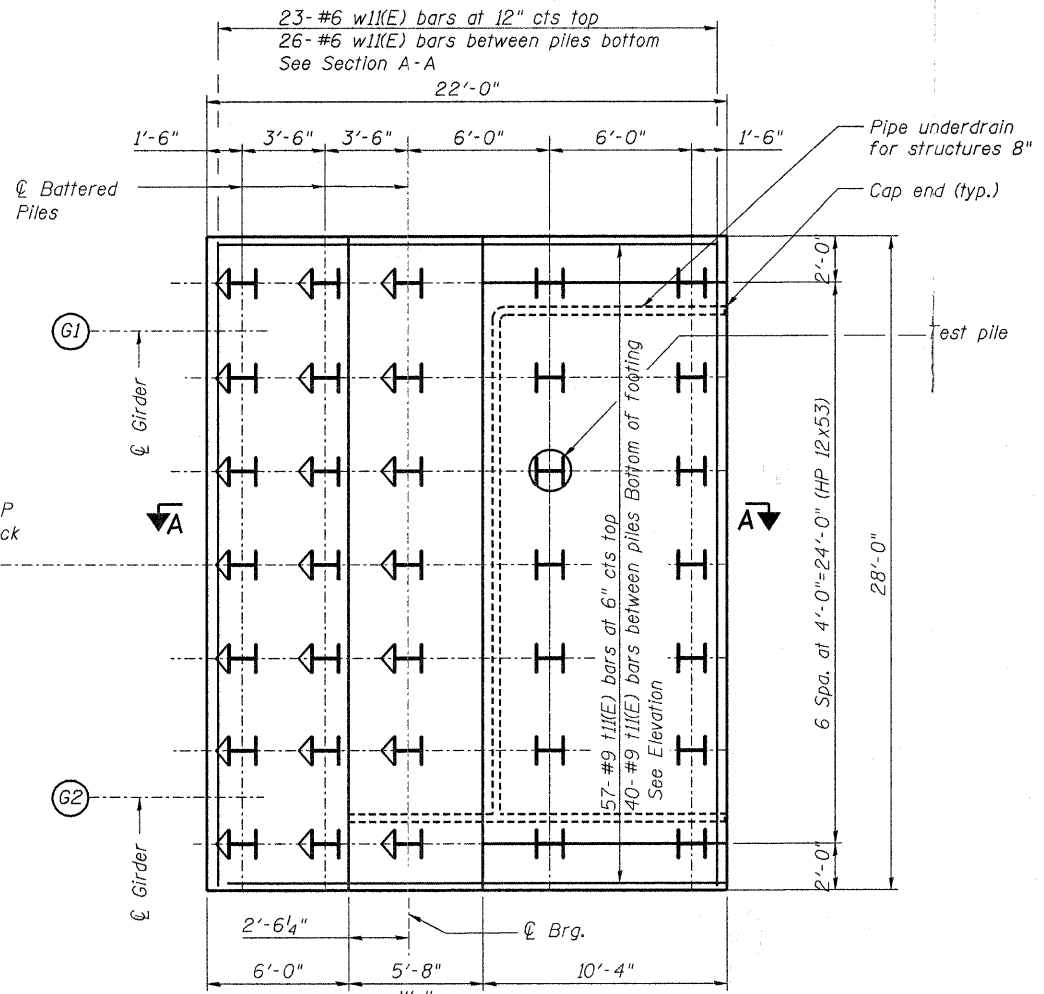


STATE OF ILLINOIS
DEPARTMENT OF TRANSPORTATION



West Abutment



East Abutment

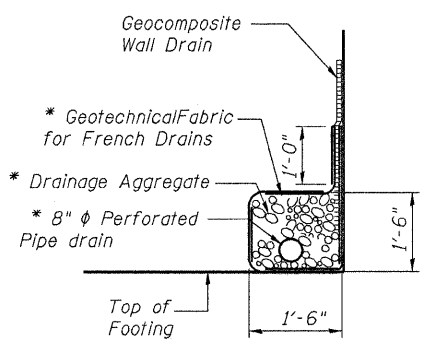
FOOTING PLAN

PILE DATA

Type : Steel HP12x53
Nominal required bearing : 419 k
Allowable resistance available: 139 k
Est. Length: 21 Ft.
No. of Pile Shoes = 70

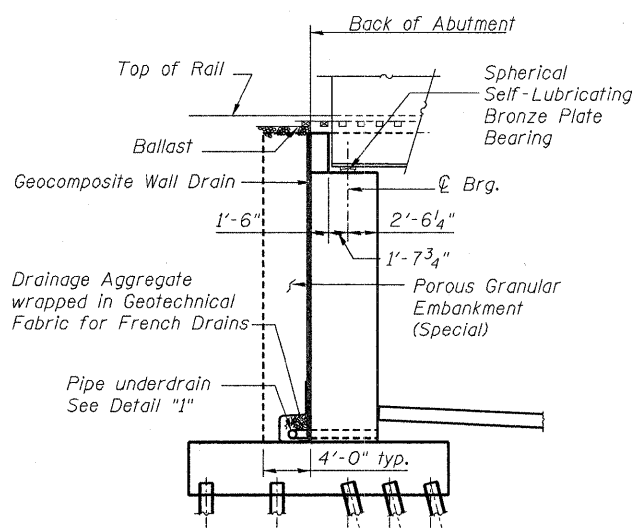
Note:
The Steel Piles shall be According
to AASHTO M270 Grade 50.

← Indicates Battered Pile (3:12)

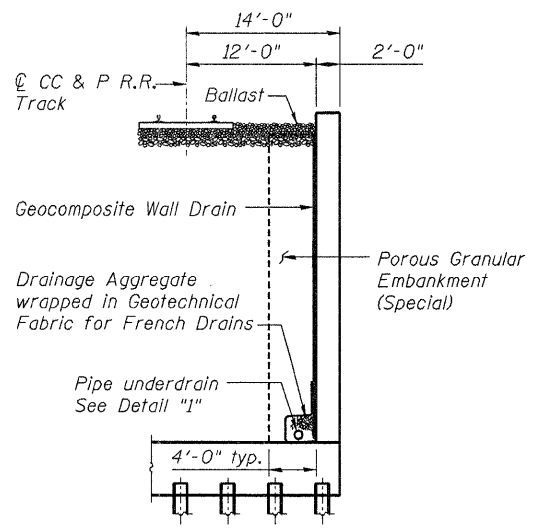


DETAIL "1"

* Included in the cost of "Pipe Underdrains for Structures"



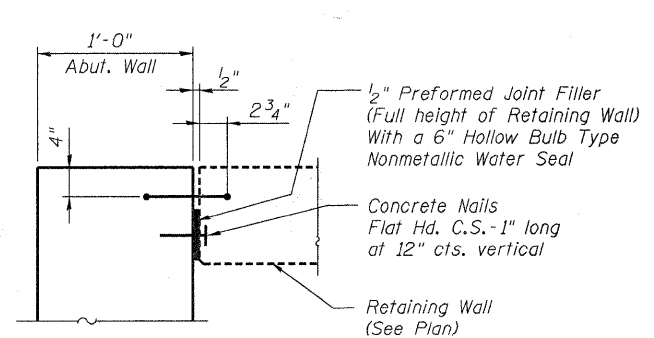
SECTION THRU ABUTMENT



SECTION THRU WINGWALL

DRAINAGE DETAILS

See Sheet S19 for additional drainage Details



DETAIL "2"

EXPANSION JOINT DETAIL

Notes :

For Section A-A, See Sheet S16.

DESIGNED	KJH
CHECKED	MGB
DRAWN	RJ
CHECKED	BKB

McDonough Associates Inc.
Engineers / Architects
130 East Randolph Street
Chicago, Illinois 60601
(312) 946-8600

FREEPORT SUBDIVISION	
BRIDGE NO. W40.07	
SHEET NO. S14	RTE.
S21 SHEETS	361

E. & W. ABUTMENT FOOTINGS
STRUCTURE NO. 045-3163

SECTION	COUNTY	TOTAL SHEETS	SHEET NO.
06-00214-02-BR	KANE	219	141
SN 045-3163		CONTRACT NO. 63073	
FED. ROAD DIST. NO. 1 ILLINOIS FED. AID PROJECT			