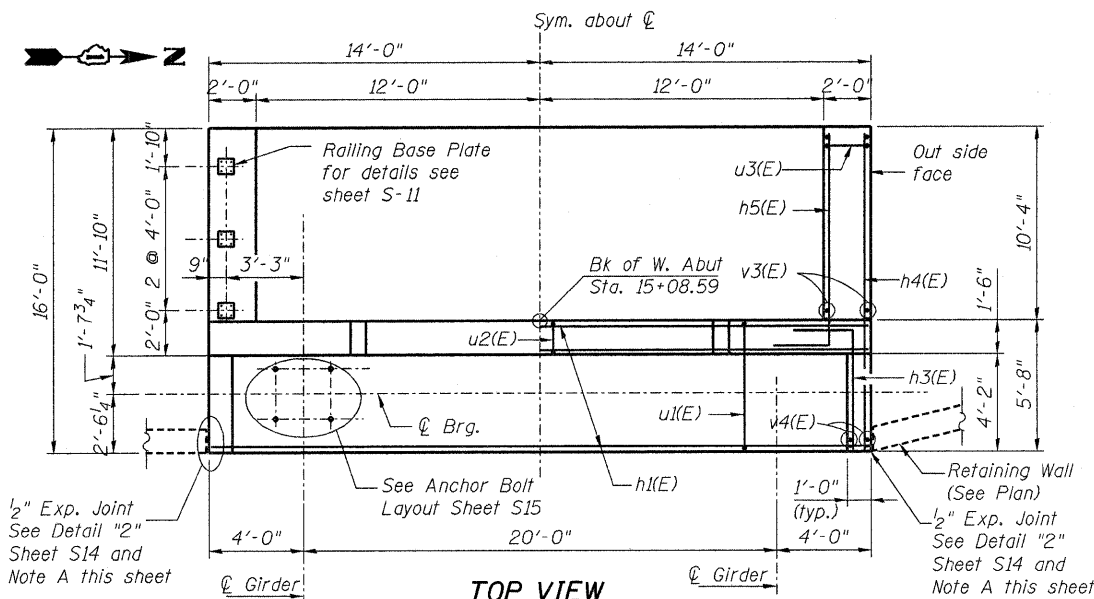
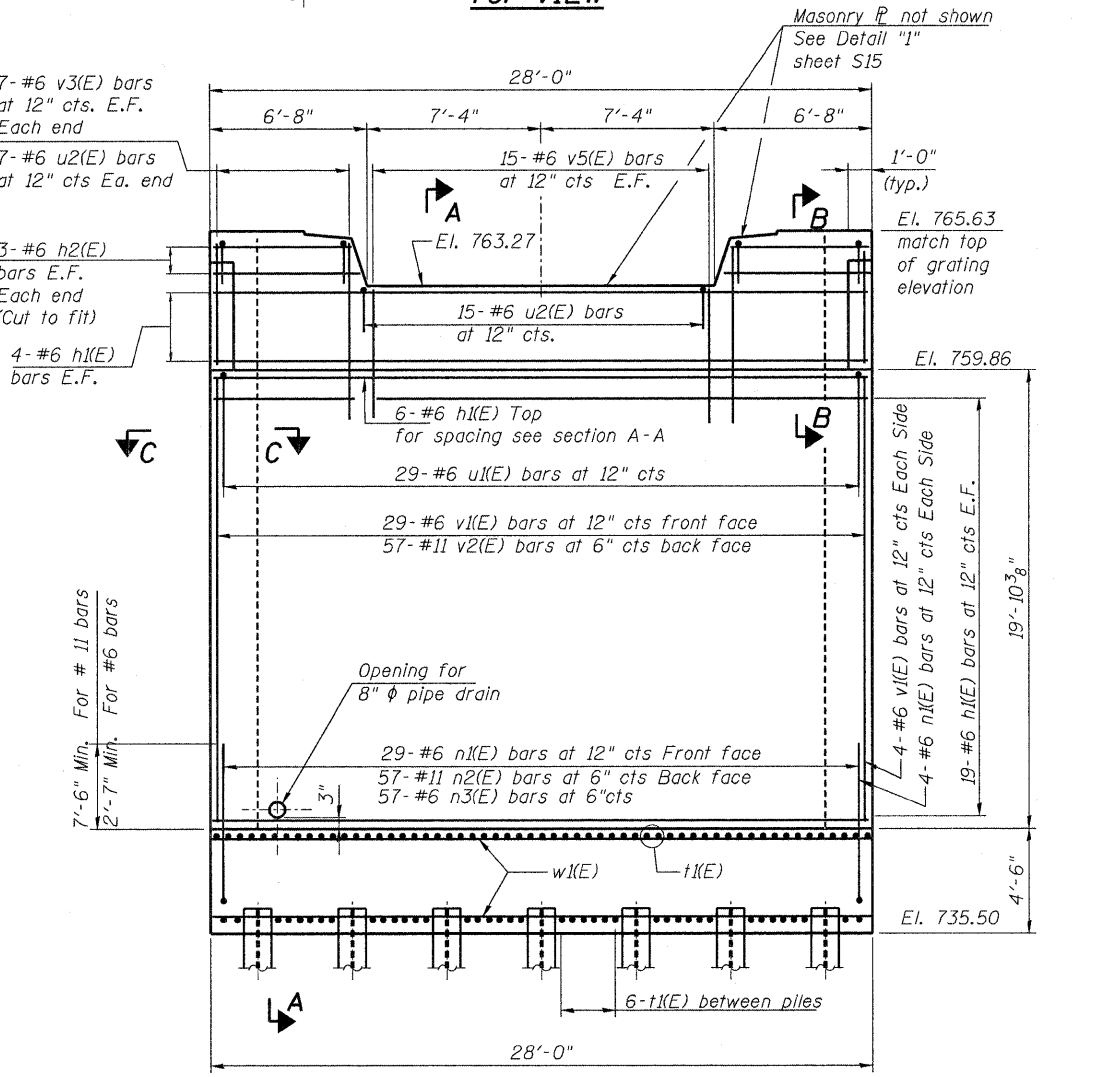


STATE OF ILLINOIS  
DEPARTMENT OF TRANSPORTATION

**BILL OF MATERIAL  
WEST ABUTMENT**

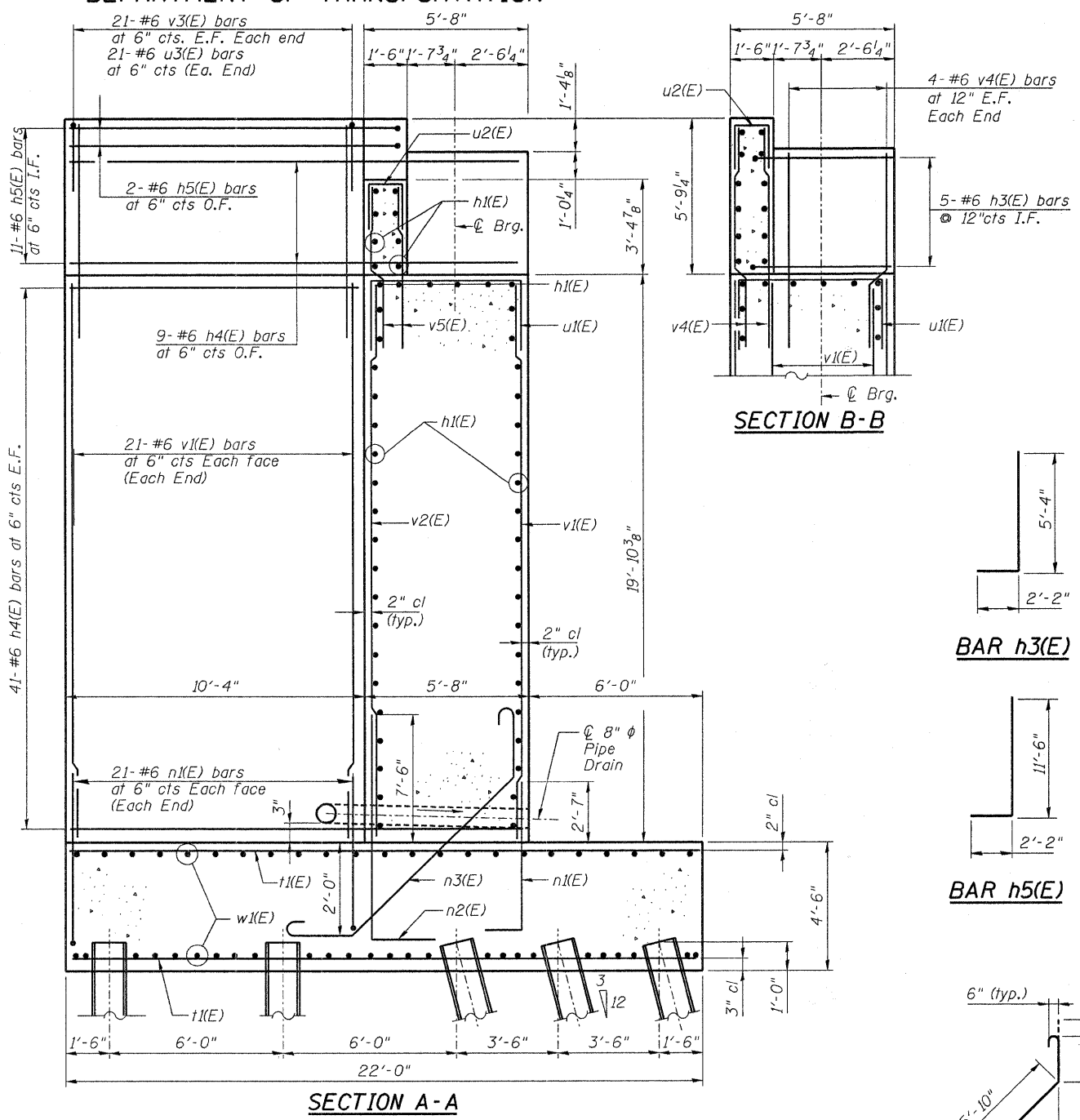


**TOP VIEW**



**ELEVATION**

DESIGNED	KJH
CHECKED	MGB
DRAWN	RJ
CHECKED	BKB



**SECTION A-A**

**SECTION B-B**

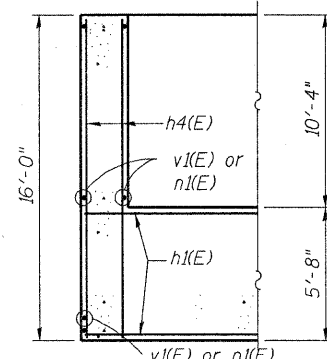
**BAR h3(E)**

**BAR h5(E)**

**BAR n3(E)**

**BAR n2(E)**

**BAR n1(E)**



**SECTION C-C**

**Dimensions**

Bar	A	B
u1(E)	2'-7"	5'-4"
u2(E)	2'-7"	1'-2"
u3(E)	2'-7"	1'-8"

**BARs u1(E), u2(E) & u3(E)**

FREEPORT SUBDIVISION	
BRIDGE NO. W40.07	
SHEET NO. S16	RTE. 361
SECTION 06-00214-02-BR	
COUNTY KANE	
TOTAL SHEETS 219	
SHEET NO. 143	
SN 045-3163	
CONTRACT NO. 63073	
FED. ROAD DIST. NO. 1 ILLINOIS FED. AID PROJECT	

**WEST ABUTMENT AND DETAILS  
STRUCTURE NO. 045-3163**

Bar	No.	Size	Length	Shape
h1(E)	52	#6	27'-8"	—
h2(E)	12	#6	6'-4"	—
h3(E)	10	#6	7'-6"	—
h4(E)	182	#6	15'-8"	—
h5(E)	26	#6	13'-8"	—
n1(E)	121	#6	7'-8"	—
n2(E)	57	#11	13'-7"	—
n3(E)	57	#6	11'-2"	—
t1(E)	97	#9	21'-8"	—
u1(E)	29	#6	10'-6"	—
u2(E)	29	#6	6'-4"	—
u3(E)	42	#6	6'-10"	—
v1(E)	121	#6	19'-6"	—
v2(E)	57	#11	19'-6"	—
v3(E)	112	#6	8'-1"	—
v4(E)	16	#6	7'-0"	—
v5(E)	30	#6	5'-10"	—
w1(E)	49	#6	27'-8"	—
Porous Granular Embankment		Cu. Yd.	127	
Concrete Structures		Cu. Yd.	268	
Reinforcement Bars, Epoxy Coated		Pound	35,290	
Furnishing Steel Piles, HP 12X53		Foot	735	
Driving Piles		Foot	735	
Test Piles Steel, HP 12X53		Each	1	
Concrete Sealer		Sq. Ft.	1,509	
Geocomposite Wall Drain		Sq. Yd.	1,044	
Stud Shear Connectors		Each	46	
Pile Shoes		Each	35	

**Notes:**  
Place bars to miss anchor bolts.

The Year concrete is poured should be formed into each Abutment per CN Std. R15-11.

**Note A:**  
At the interface between side walls of abutment and the adjacent Retaining Walls, the Contractor shall make provisions as required for the lateral support of the timber lagging of the retaining walls. Cost included in pay item "Concrete Structures".

**McDonough Associates Inc.**  
Engineers / Architects  
130 East Randolph Street  
Chicago, Illinois 60601  
(312) 946-8600