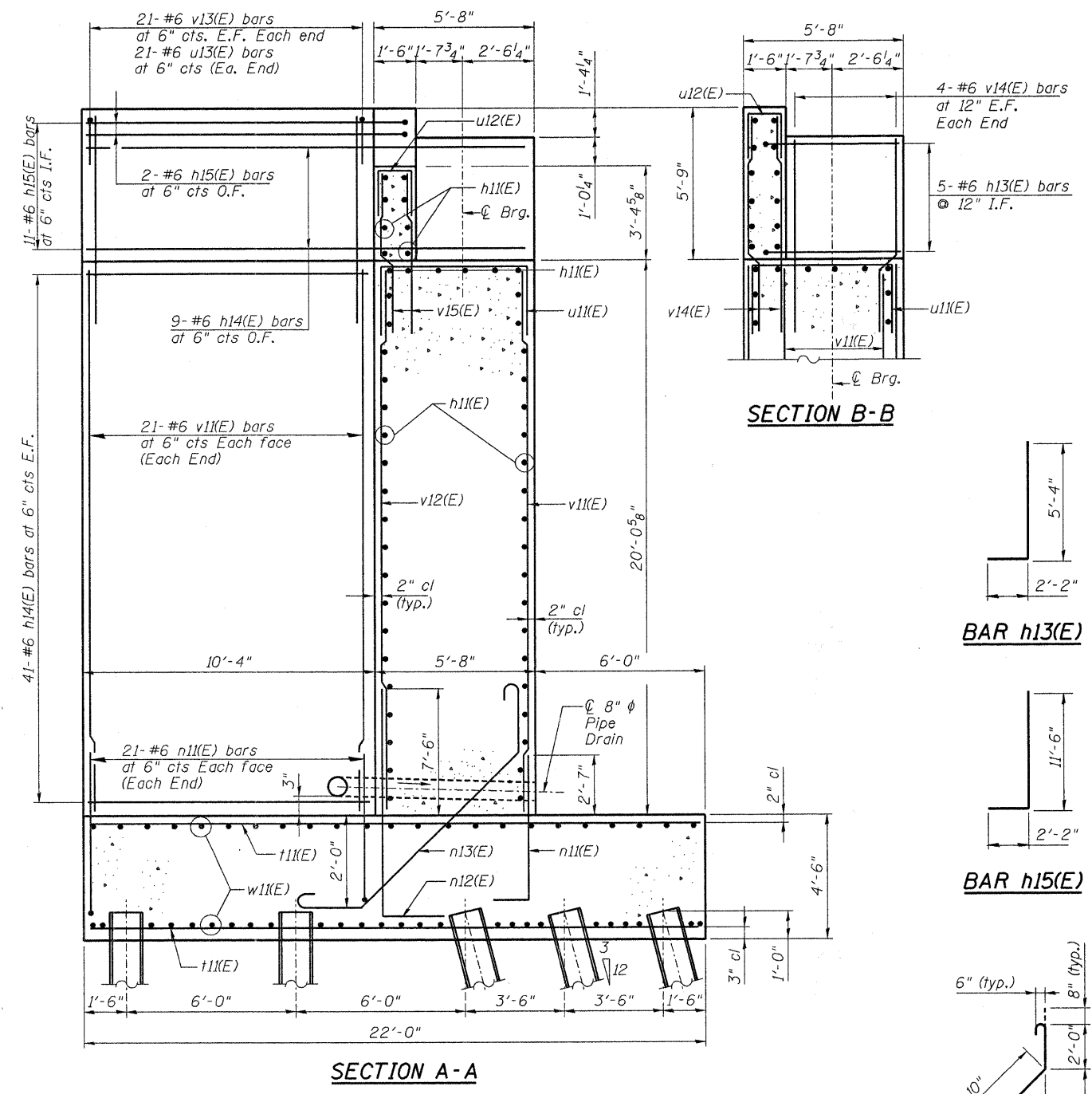
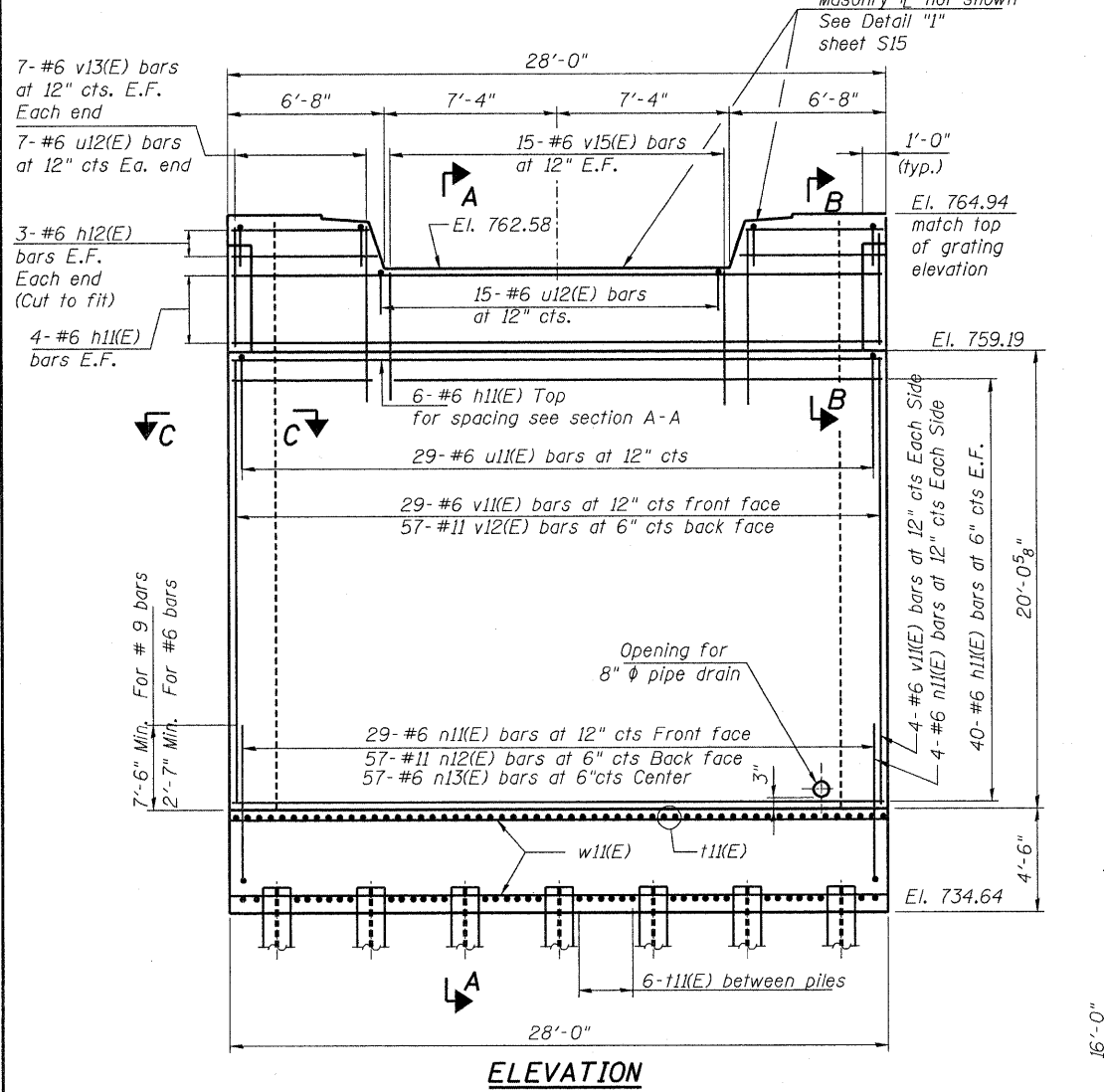
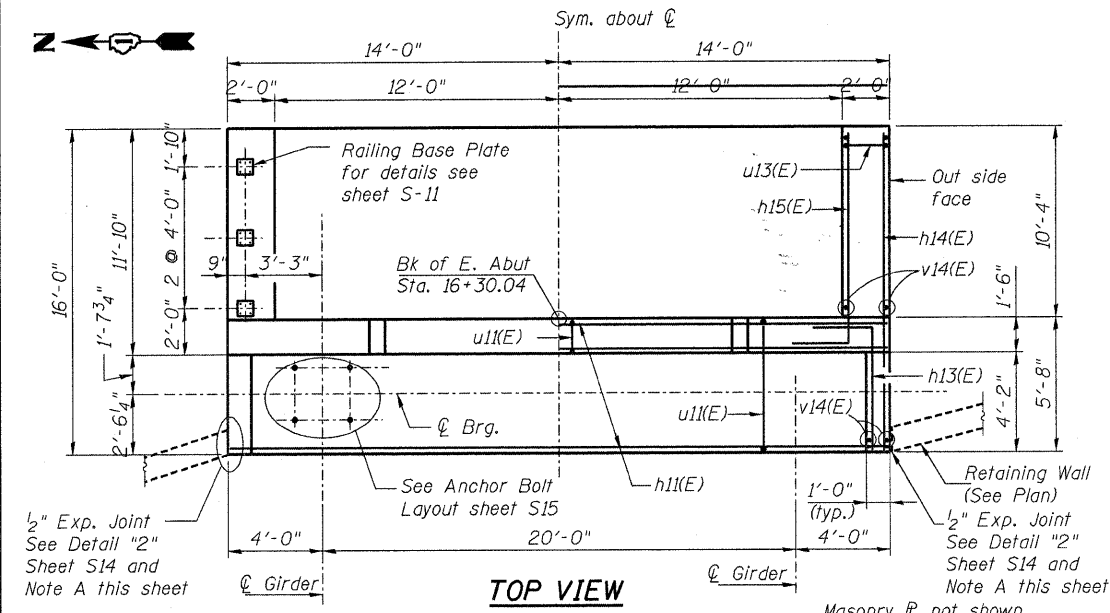


STATE OF ILLINOIS
DEPARTMENT OF TRANSPORTATION

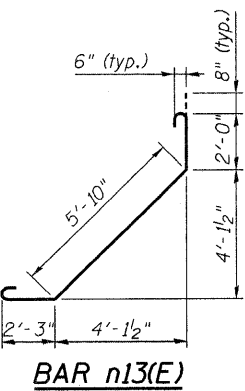
BILL OF MATERIAL
EAST ABUTMENT



Bar	No.	Size	Length	Shape
h1(E)	52	#6	27'-8"	—
h2(E)	12	#6	6'-4"	—
h3(E)	10	#6	7'-6"	—
h4(E)	182	#6	15'-8"	—
h5(E)	26	#6	13'-8"	—
n1(E)	121	#6	7'-8"	—
n2(E)	57	#11	13'-7"	—
n3(E)	57	#6	11'-2"	—
h1(E)	97	#9	21'-8"	—
u1(E)	29	#6	10'-6"	—
u2(E)	29	#6	6'-4"	—
u3(E)	42	#6	6'-10"	—
v1(E)	121	#6	19'-8"	—
v2(E)	57	#11	19'-8"	—
v3(E)	112	#6	8'-1"	—
v4(E)	16	#6	7'-0"	—
v5(E)	30	#6	5'-10"	—
w1(E)	49	#6	27'-8"	—
Porous Granular Embankment			Cu. Yd.	128
Concrete Structures			Cu. Yd.	269
Reinforcement Bars, Epoxy Coated			Pound	35,380
Furnishing Steel Piles, HP 12X53			Foot	735
Driving Piles			Foot	735
Test Piles Steel, HP 12X53			Each	1
Concrete Sealer			Sq. Ft.	1,521
Geocomposite Wall Drain			Sq. Yd.	1,051
Stud Shear Connectors			Each	46
Pile Shoes			Each	35

BAR h13(E)

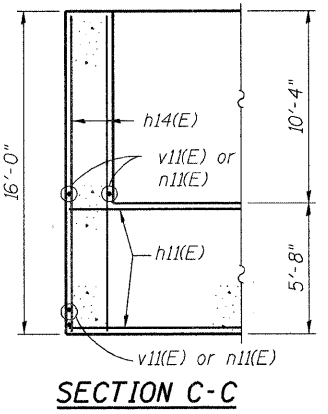
BAR h15(E)



Dimensions

Bar	A	B
u1(E)	2'-7"	5'-4"
u2(E)	2'-7"	1'-2"
u3(E)	2'-7"	1'-8"

BARs u1(E), u2(E) & u3(E)



SECTION C-C

DESIGNED	KJH
CHECKED	MGB
DRAWN	RJ
CHECKED	BKB

McDonough Associates Inc.
Engineers / Architects
130 East Randolph Street
Chicago, Illinois 60601
(312) 946-8600

CN North America's Railroad	
FREEPORT SUBDIVISION	
BRIDGE NO. W40.07	
SHEET NO. S17	RTE.
S21 SHEETS	361

EAST ABUTMENT AND DETAILS
STRUCTURE NO. 045-3163

RTE.	SECTION	COUNTY	TOTAL SHEETS	SHEET NO.
361	06-00214-02-BR	KANE	219	144
SN 045-3163		CONTRACT NO. 63073		
FED. ROAD DIST. NO. 1 ILLINOIS FED. AID PROJECT				