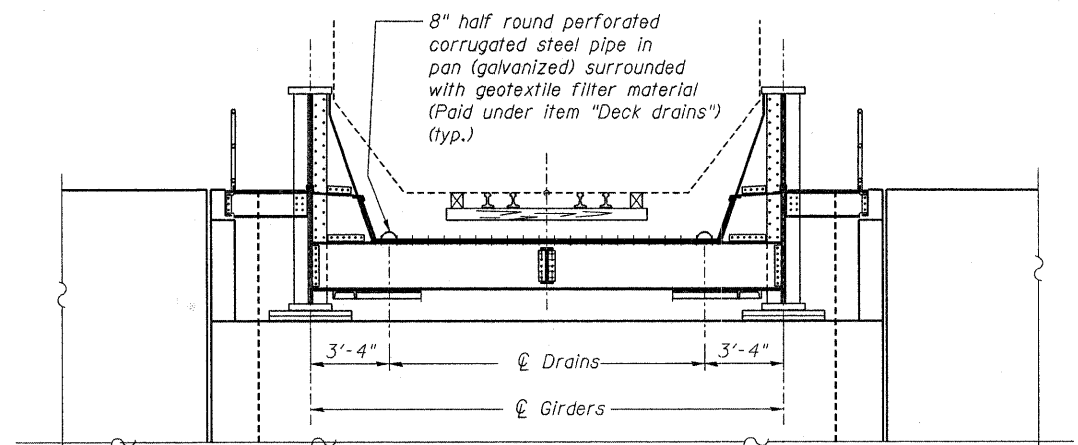
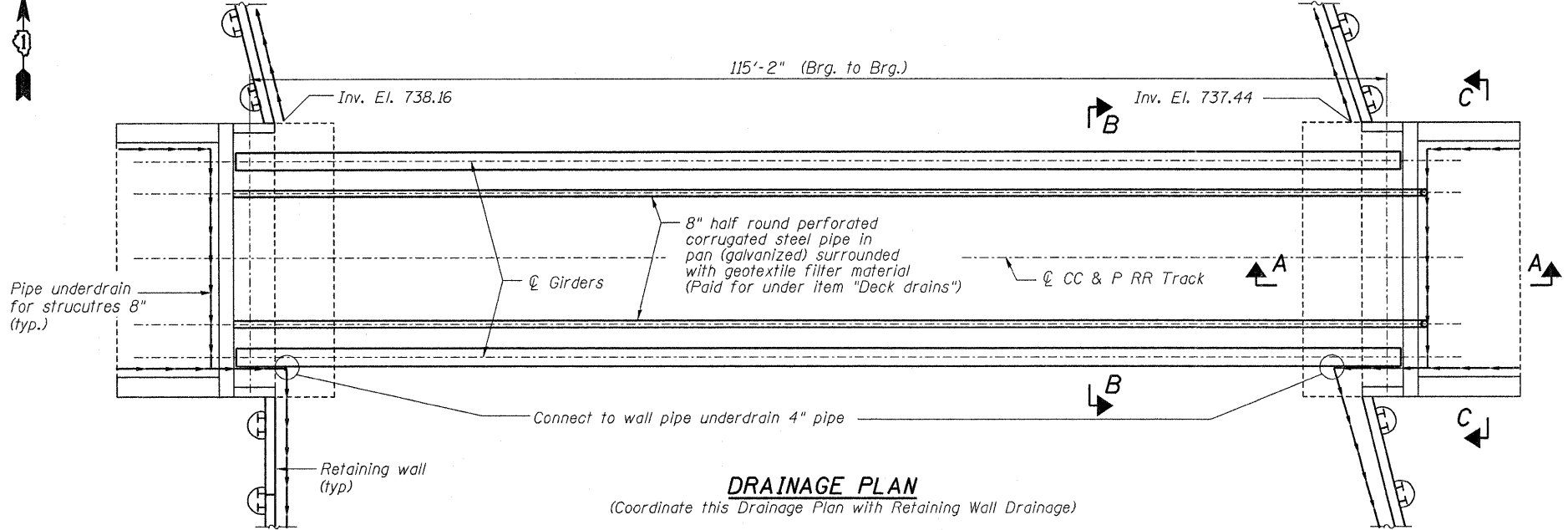
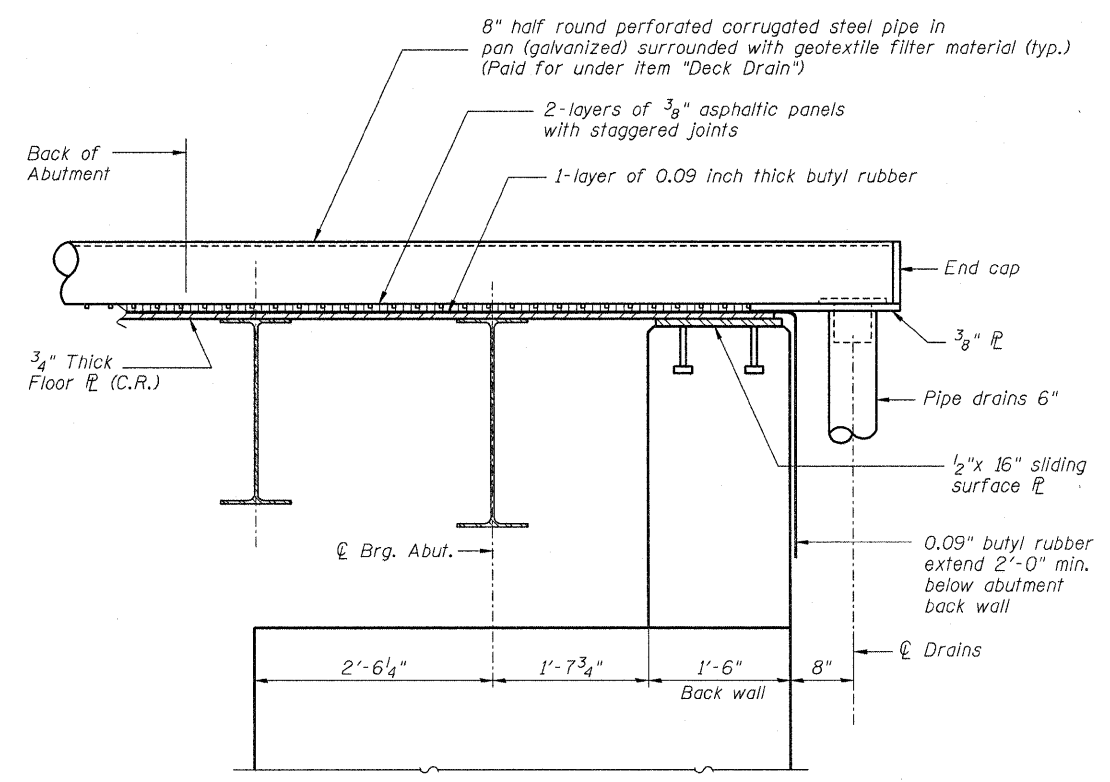


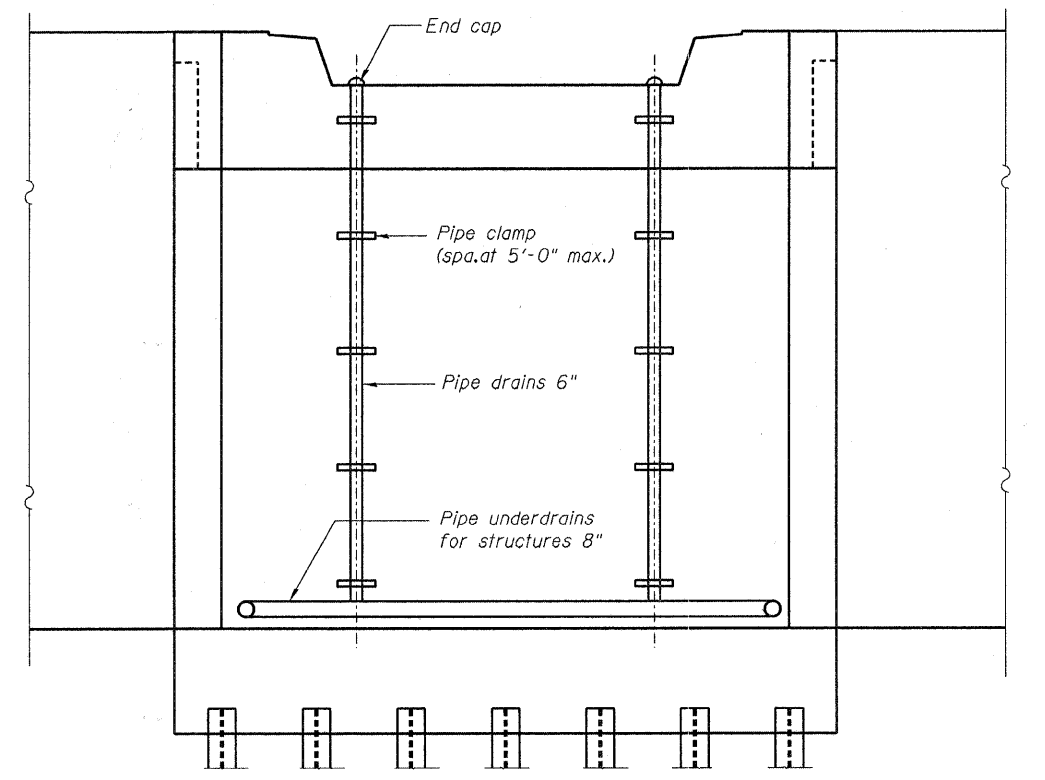
STATE OF ILLINOIS
DEPARTMENT OF TRANSPORTATION



SECTION B-B



SECTION A-A



SECTION C-C

BILL OF MATERIAL

Deck Drains	Foot	240
Pipe Drains 6"	Foot	40
Pipe Underdrains for structures 8"	Foot	110

NOTES:
- For General Notes See Sheet S2.

DESIGNED
CHECKED
DRAWN
CHECKED

McDonough Associates Inc.
Engineers / Architects
130 East Randolph Street
Chicago, Illinois 60601
(312) 946-8600

North America's Railroad	
FREEPORT SUBDIVISION	
BRIDGE NO. W40.07	
SHEET NO. S19	RTE.
S21 SHEETS	361

BRIDGE DRAINAGE DETAILS
STRUCTURE NO. 045-3163

SECTION	COUNTY	TOTAL SHEETS	SHEET NO.
06-00214-02-BR	KANE	219	146
SN 045-3163		CONTRACT NO. 63073	
FED. ROAD DIST. NO. 1 ILLINOIS FED. AID PROJECT			