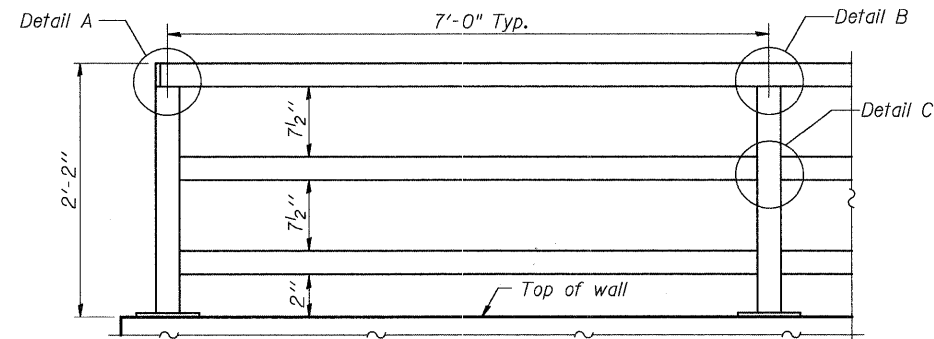
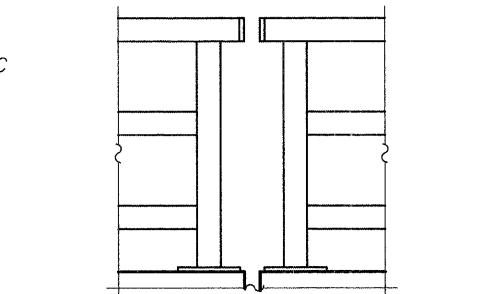


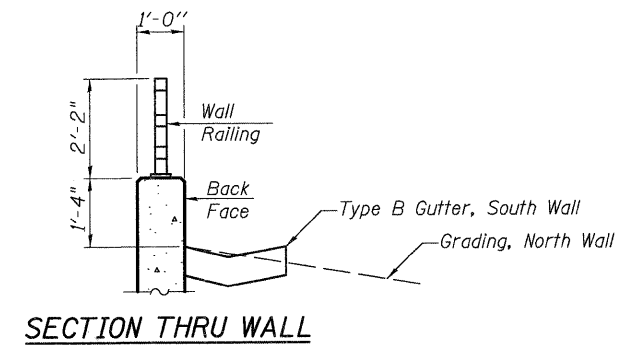
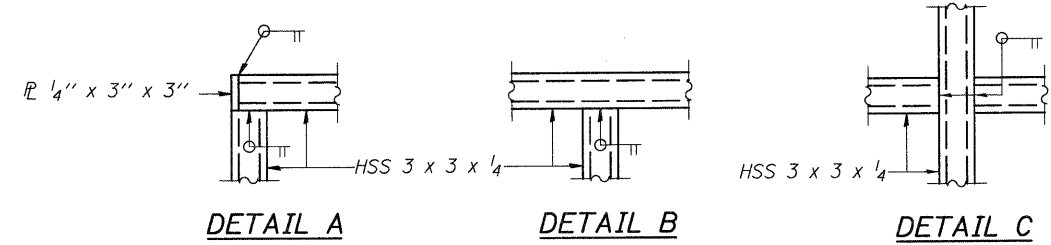
STATE OF ILLINOIS  
DEPARTMENT OF TRANSPORTATION



**WALL RAILING  
ELEVATION**  
(Inside Face of Rail)

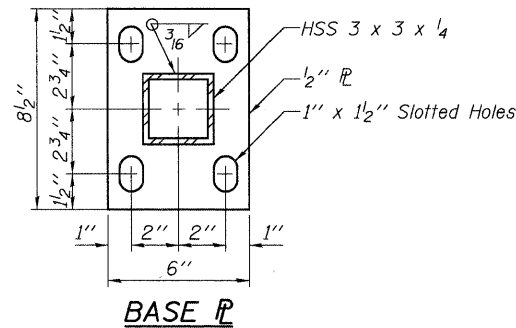


**WALL RAILING  
ELEVATION AT EXPANSION JOINT**

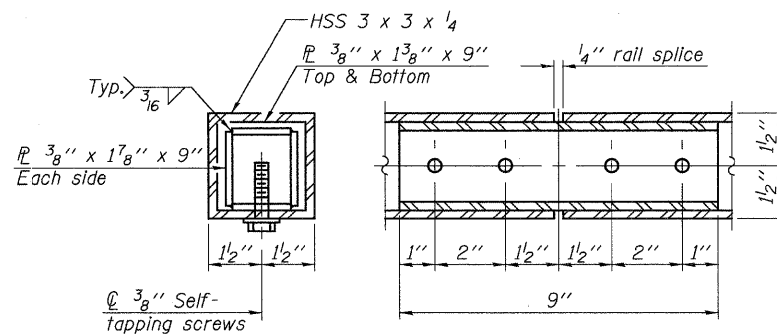


**SECTION THRU WALL**

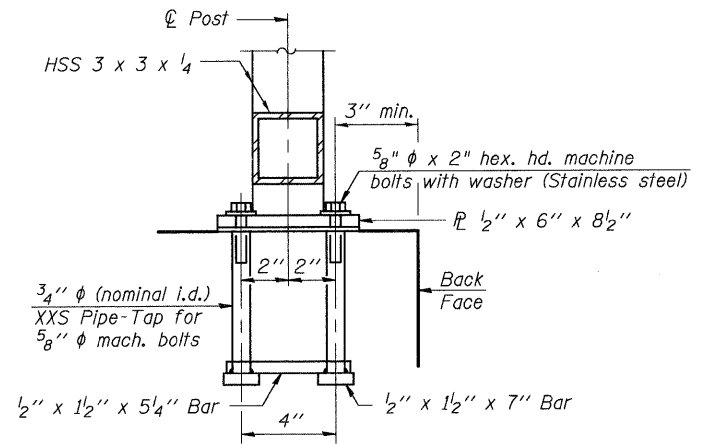
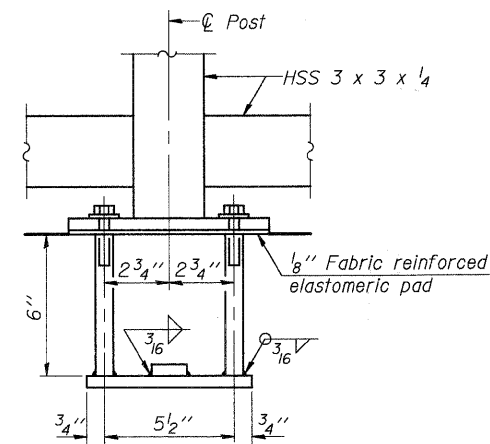
All steel rail elements shall be galvanized according to Article 509.05 of the Standard Specifications.



**BASE PLATE**



**RAIL SPLICE**



**ANCHOR BOLT DETAILS**

In lieu of the cast-in-place anchor device shown, the Contractor has the option of drilling and setting 5/8" phi anchor rods according to Article 509.06 of the Standard Specifications. Embedment shall be according to the manufacturer's specifications.

**RAILING DETAILS  
STRUCTURE NO. 045-2038**

DESIGNED	JCE/KJH	200
CHECKED	PMH	EXAMINED
DRAWN	JCE/PMH	ENGINEER OF BRIDGE DESIGN
CHECKED	KJH	PASSED
		ENGINEER OF BRIDGES AND STRUCTURES

**McDonough Associates Inc.**  
Engineers / Architects  
130 East Randolph Street  
Chicago, Illinois 60601  
(312) 946-8600

SHEET NO. WW7	RTE.	SECTION	COUNTY	TOTAL SHEETS	SHEET NO.
	361	06-00214-02-BR	KANE	219	155
WW9 SHEETS			CONTRACT NO. 63073		
FED. ROAD DIST. NO. 1 ILLINOIS FED. AID PROJECT					