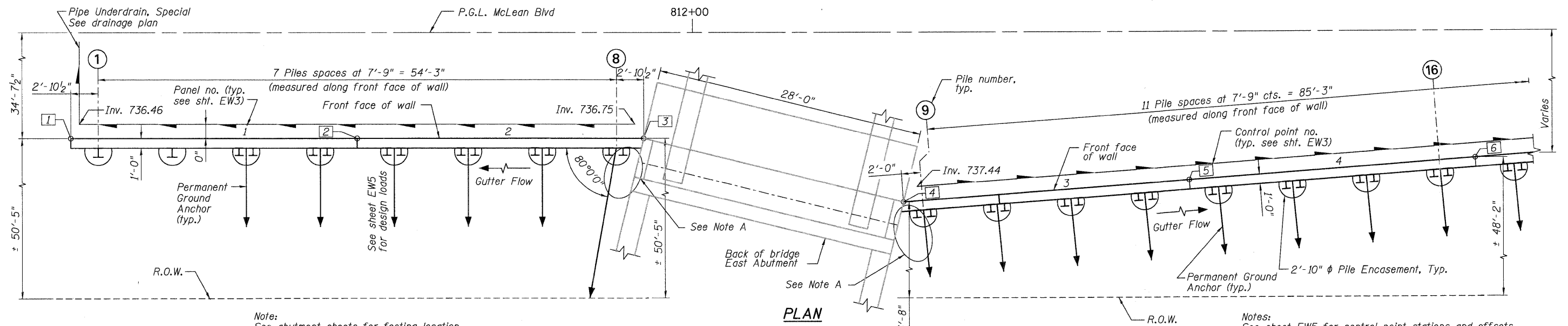
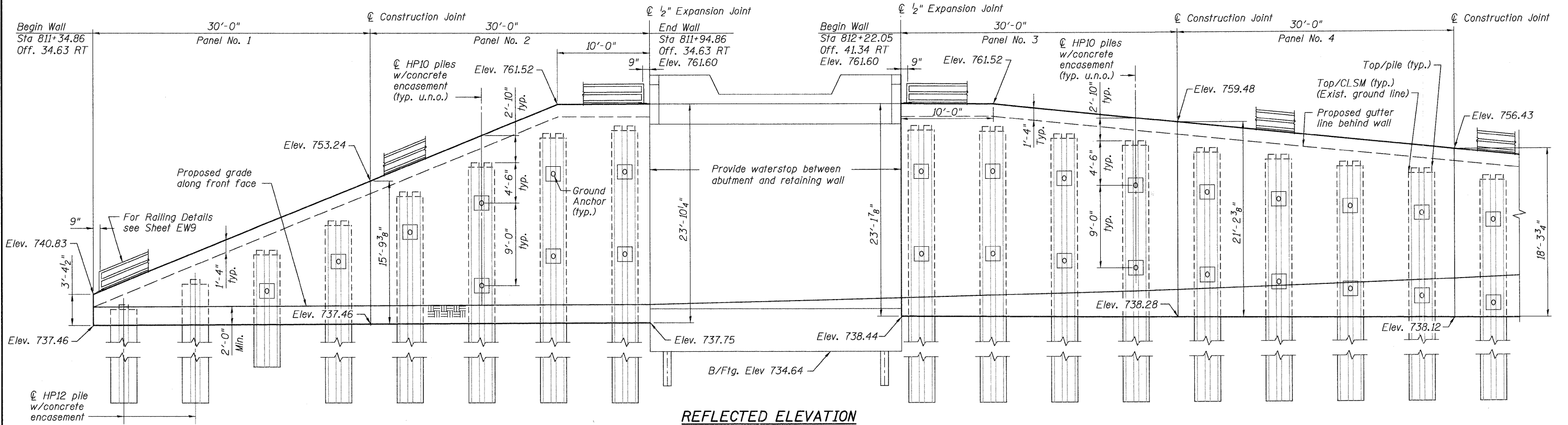


STATE OF ILLINOIS  
DEPARTMENT OF TRANSPORTATION



Note:  
See abutment sheets for footing location.  
Tie-back anchors shall be placed to miss  
bridge footing and piles.

Note A:  
The Contractor shall be aware that the ground  
adjacent to the abutment may be somewhat disturbed  
resulting from the excavation. The actual soil  
condition shall be considered in the ground anchor  
design and anchor length and inclination shall be  
adjusted to obtain the required anchor loads.

Notes:  
See sheet EW5 for control point stations and offsets.  
See sheet EW5 for pile and anchor schedule.

DESIGNED	JCE/KJH
CHECKED	PMH
DRAWN	JCE/PMH
CHECKED	KJH

**McDonough Associates Inc.**  
Engineers / Architects  
130 East Randolph Street  
Chicago, Illinois 60601  
(312) 946-8600

**PILE AND ANCHOR LOCATIONS  
STRUCTURE NO. 045-2039**

SHEET NO. EW2	RTE.	SECTION	COUNTY	TOTAL SHEETS	SHEET NO.
	361	06-00214-02-BR	KANE	219	159
EW13 SHEETS	CONTRACT NO. 63073				
FED. ROAD DIST. NO. 1 ILLINOIS FED. AID PROJECT					