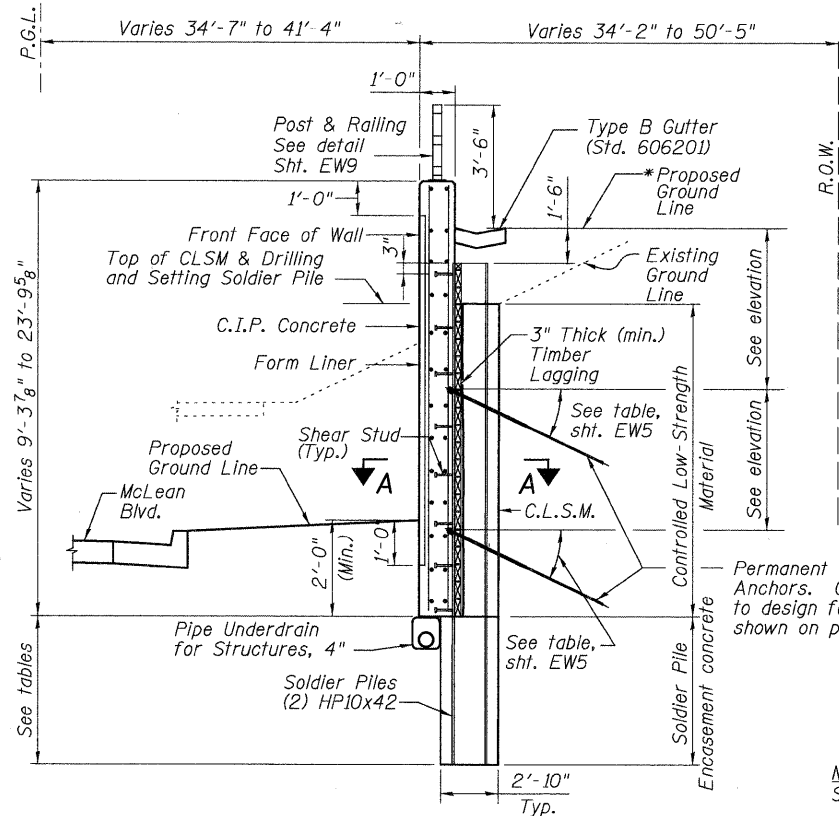
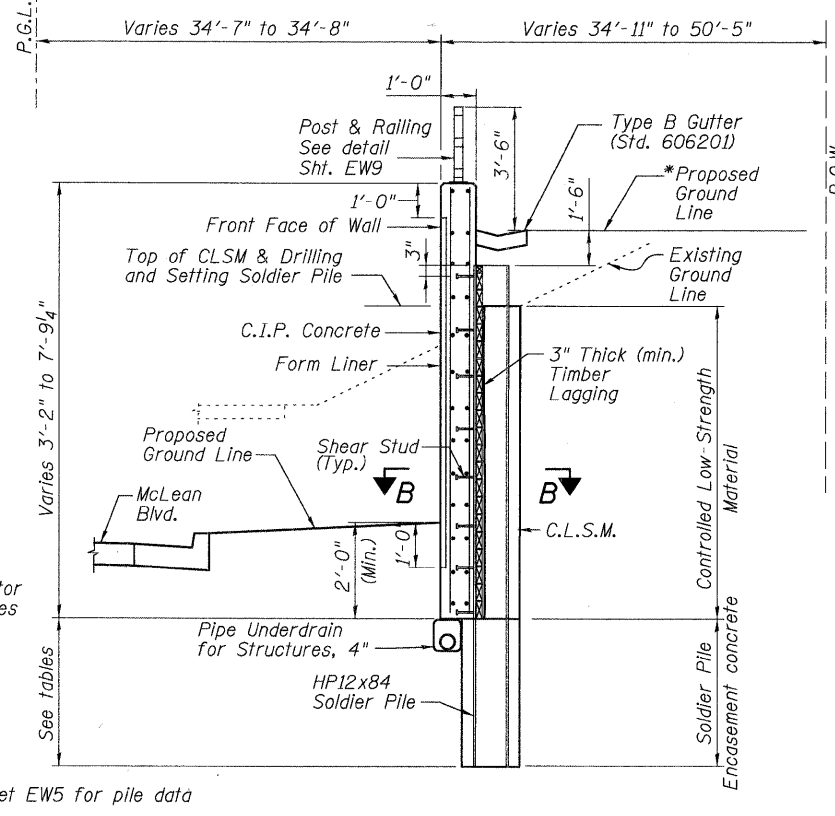


STATE OF ILLINOIS
DEPARTMENT OF TRANSPORTATION



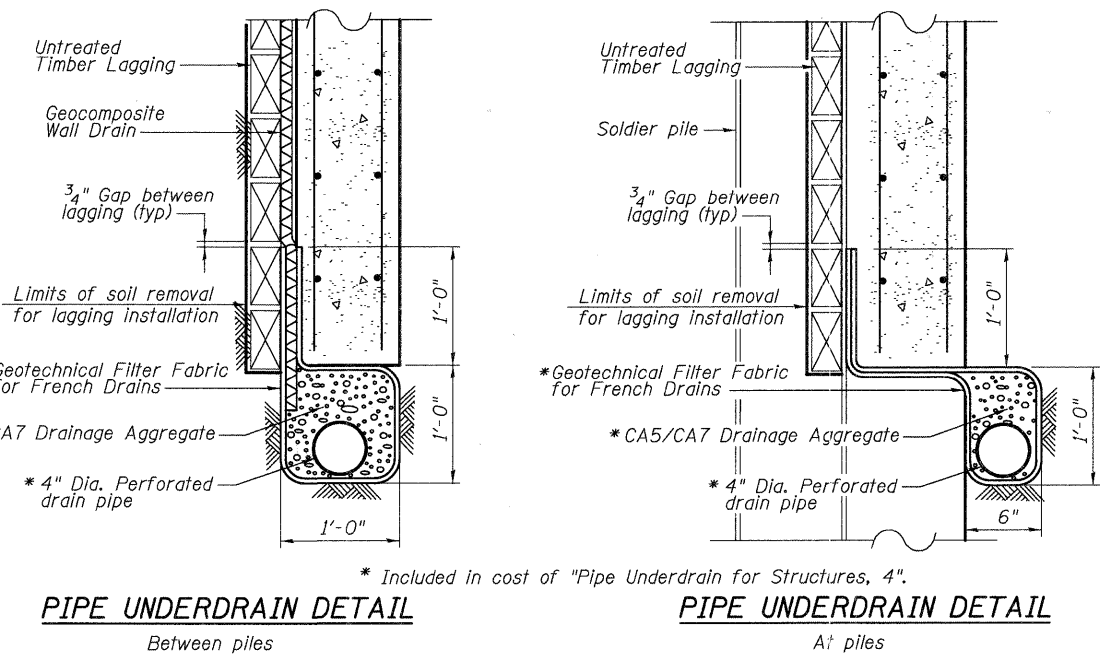
WALL SECTION W/GROUND ANCHORS



WALL SECTION W/O GROUND ANCHORS

Note:
See sheet EW5 for pile data

* See civil plans for backslope grading.

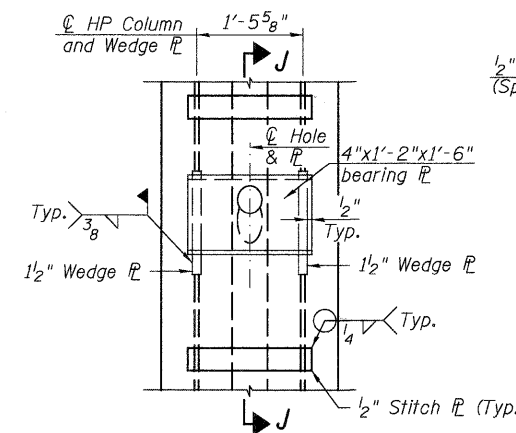


PIPE UNDERDRAIN DETAIL

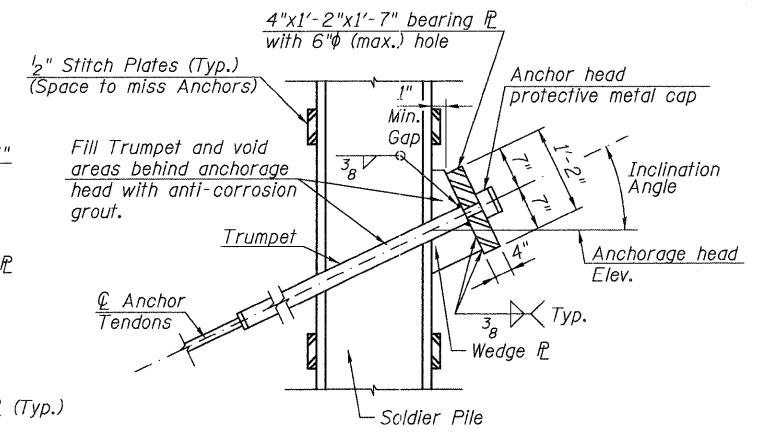
Between piles

PIPE UNDERDRAIN DETAIL

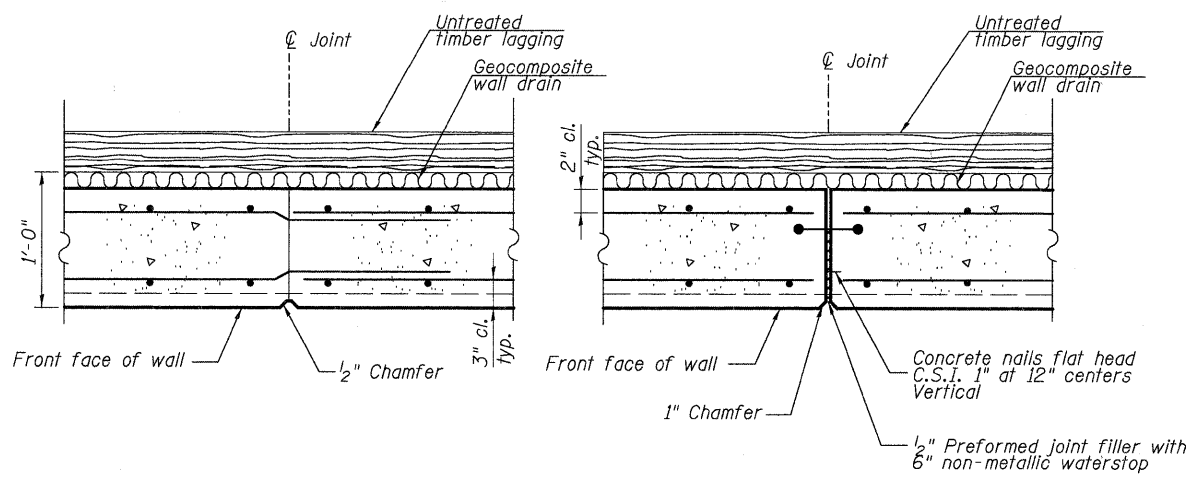
At piles



ELEVATION

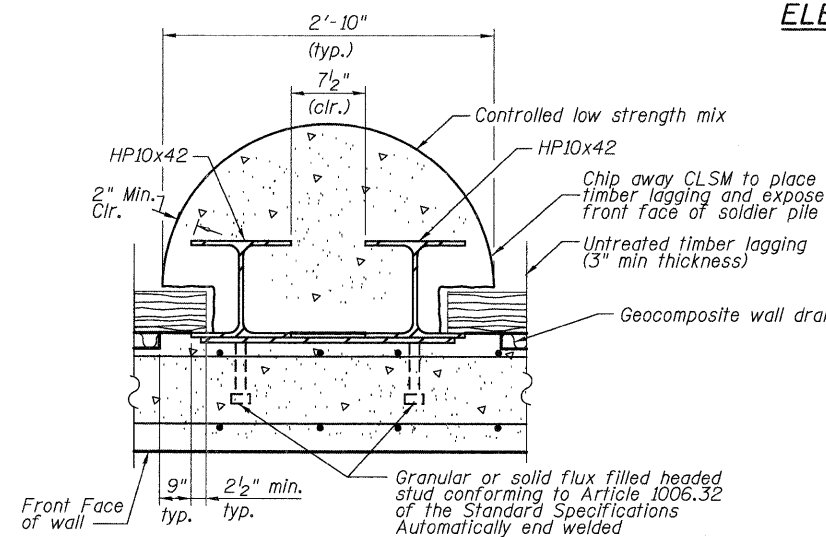


SECTION J-J

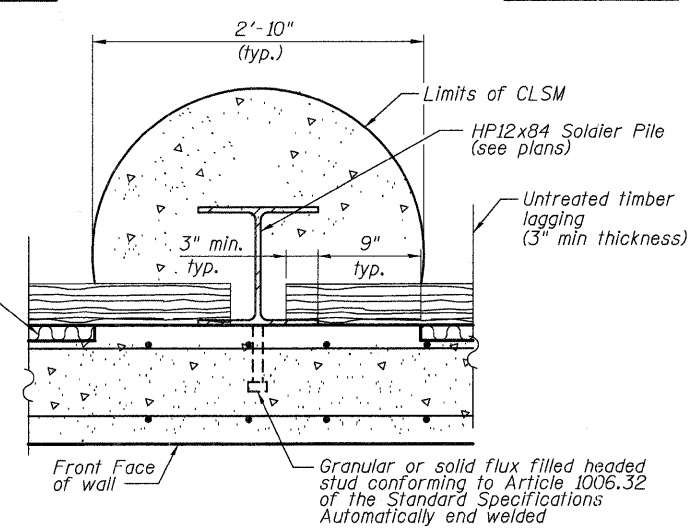


CONSTRUCTION JOINT DETAILS

EXPANSION JOINT DETAILS



SECTION A-A



SECTION B-B

SECTIONS & DETAILS
STRUCTURE NO. 045-2039

* Any over excavation done as part of the installation of the timber lagging shall be backfilled with FA4 at the contractor's expense.

DESIGNED	JCE/KJH
CHECKED	PMH
DRAWN	JCE/PMH
CHECKED	KJH

McDonough Associates Inc.
Engineers / Architects
130 East Randolph Street
Chicago, Illinois 60601
(312) 946-8600

SHEET NO. EW8	RTE.	SECTION	COUNTY	TOTAL SHEETS	SHEET NO.
	361	06-00214-02-BR	KANE	219	165
EW13 SHEETS	CONTRACT NO. 63073				
FED. ROAD DIST. NO. 1 ILLINOIS FED. AID PROJECT					