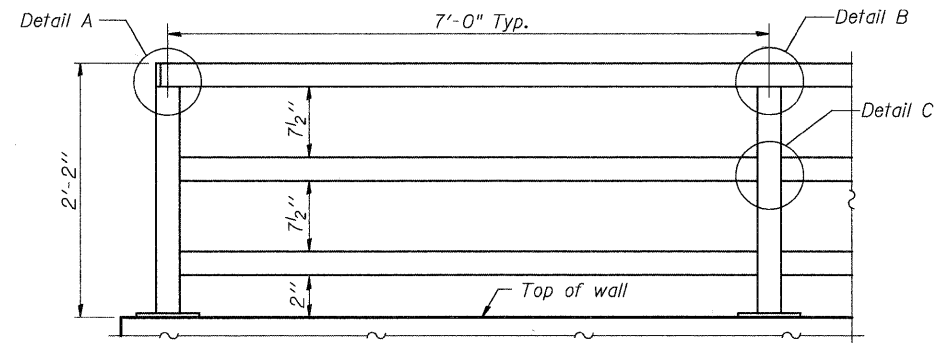
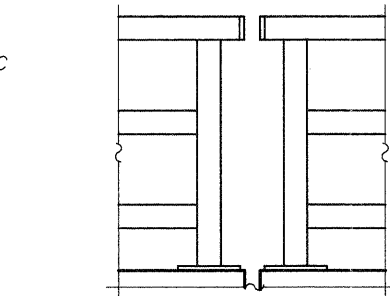


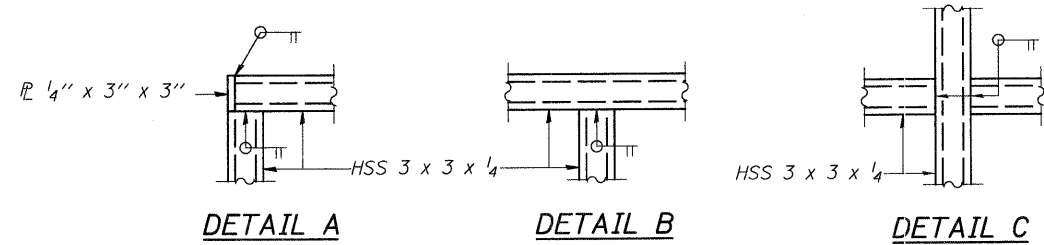
STATE OF ILLINOIS
DEPARTMENT OF TRANSPORTATION



**WALL RAILING
ELEVATION**
(Inside Face of Rail)



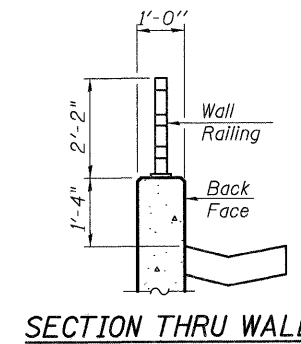
**WALL RAILING
ELEVATION AT EXPANSION JOINT**



DETAIL A

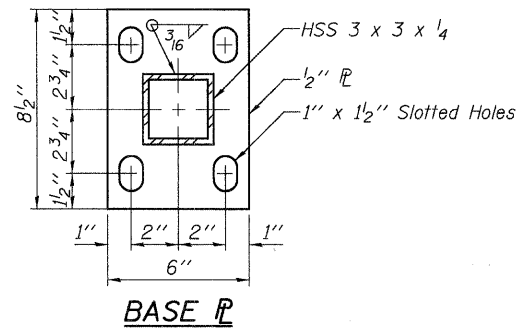
DETAIL B

DETAIL C

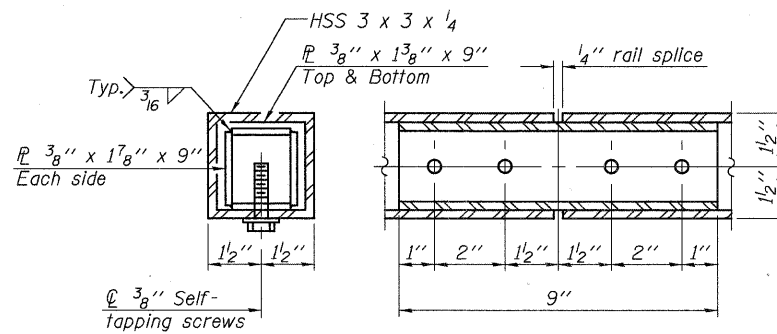


SECTION THRU WALL

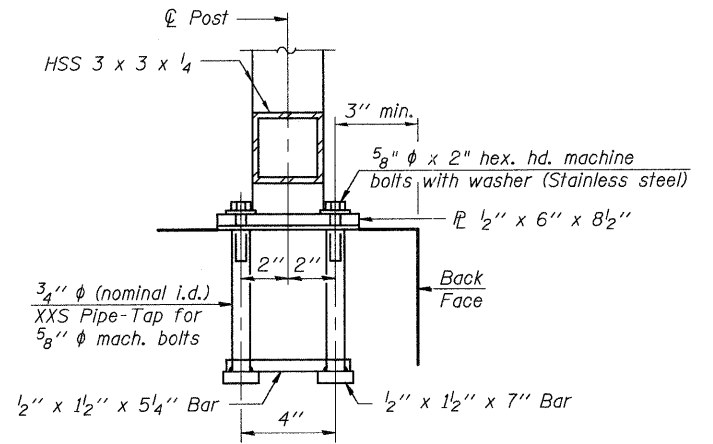
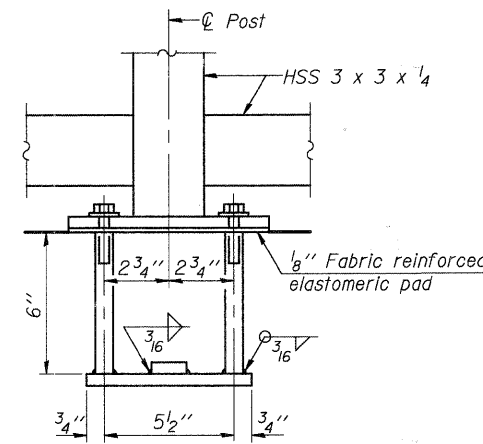
All steel rail elements shall be galvanized according to Article 509.05 of the Standard Specifications.



BASE PLATE



RAIL SPLICE



ANCHOR BOLT DETAILS

In lieu of the cast-in-place anchor device shown, the Contractor has the option of drilling and setting 5/8" anchor rods according to Article 509.06 of the Standard Specifications. Embedment shall be according to the manufacturer's specifications.

**RAILING DETAILS
STRUCTURE NO. 045-2039**

DESIGNED	JCE/KJH	200
CHECKED	PMH	EXAMINED
DRAWN	JCE/PMH	ENGINEER OF BRIDGE DESIGN
CHECKED	KJH	PASSED
		ENGINEER OF BRIDGES AND STRUCTURES

McDonough Associates Inc.
Engineers / Architects
130 East Randolph Street
Chicago, Illinois 60601
(312) 946-8600

SHEET NO. EW9	RTE.	SECTION	COUNTY	TOTAL SHEETS	SHEET NO.
	361	06-00214-02-BR	KANE	219	166
EW13 SHEETS			CONTRACT NO. 63073		
FED. ROAD DIST. NO. 1 ILLINOIS FED. AID PROJECT					