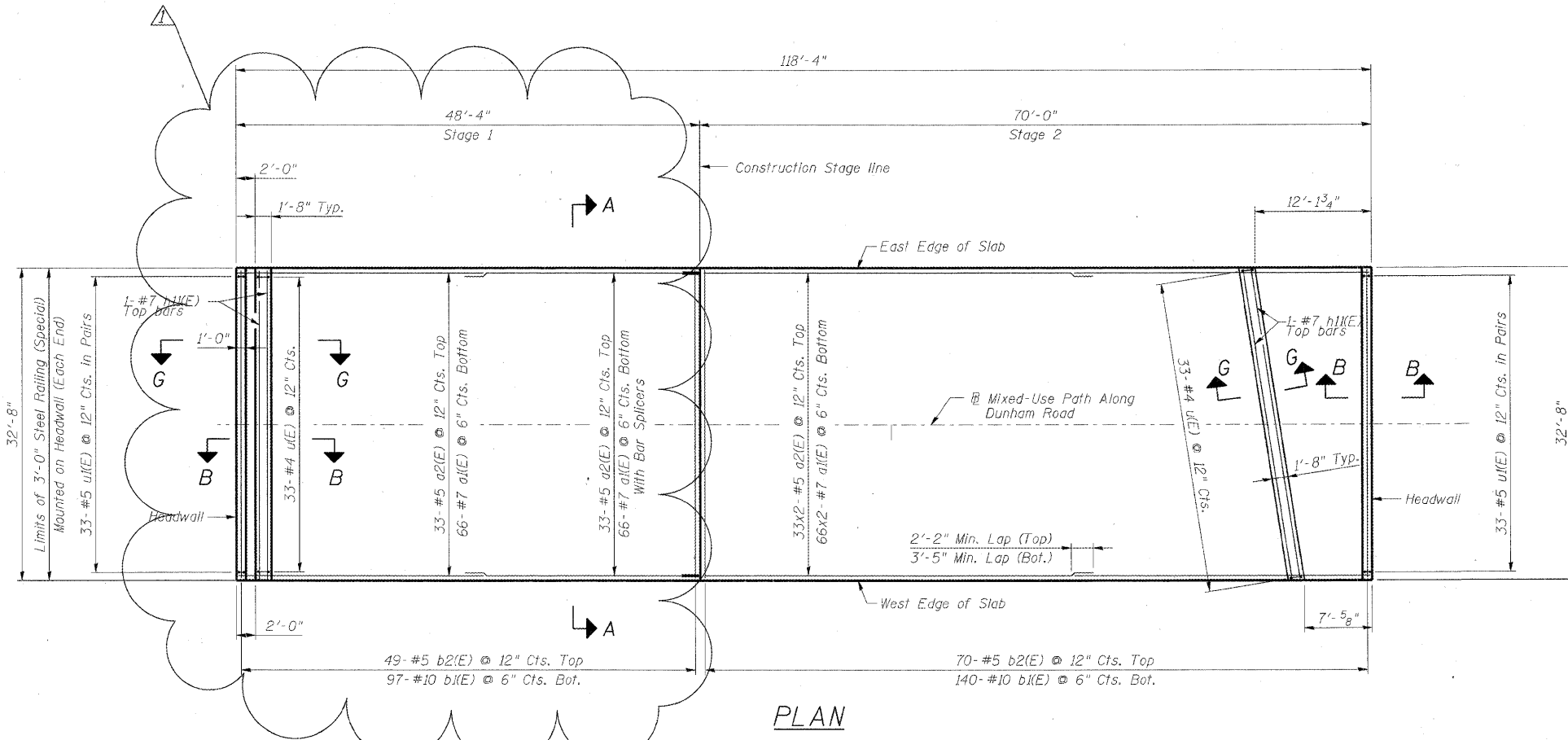


STATE OF ILLINOIS
DEPARTMENT OF TRANSPORTATION

ROUTE NO.	SECTION	COUNTY	TOTAL SHEETS	SHEET NO.	SHEET SA- 4 OF 14 SHEETS
-	-	KANE	545	291	
FED. ROAD DIST. NO. 7		ILLINOIS	FED. AID PROJECT-		

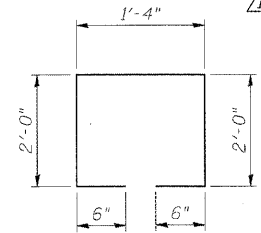
Contract #63074



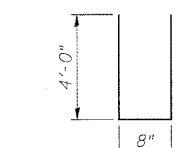
PLAN

BILL OF MATERIAL
(Stage 1 Construction)

Bar	No.	Size	Length	Shape
a1(E)	132	#7	28'-0"	—
a2(E)	66	#5	25'-3"	—
b1(E)	97	#10	32'-4"	—
b2(E)	49	#5	32'-4"	—
d3(E)	8	#6	32'-4"	—
h1(E)	2	#7	32'-4"	—
u(E)	33	#4	6'-4"	□
u1(E)	66	#5	8'-8"	□
Concrete Structures			Cu. Yd.	121.2
Reinforcement Bars, Epoxy Coated			Pound	25,700
Bar Splicers			Each	99



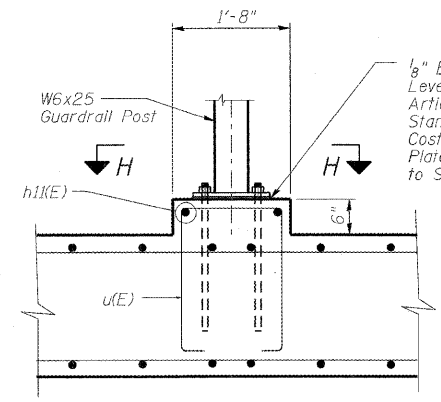
BAR u(E)



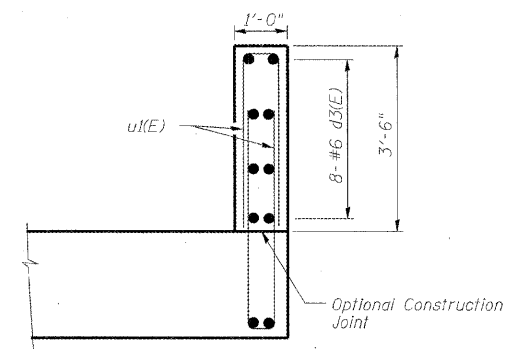
BAR u1(E)

BILL OF MATERIAL
(Stage 2 Construction)

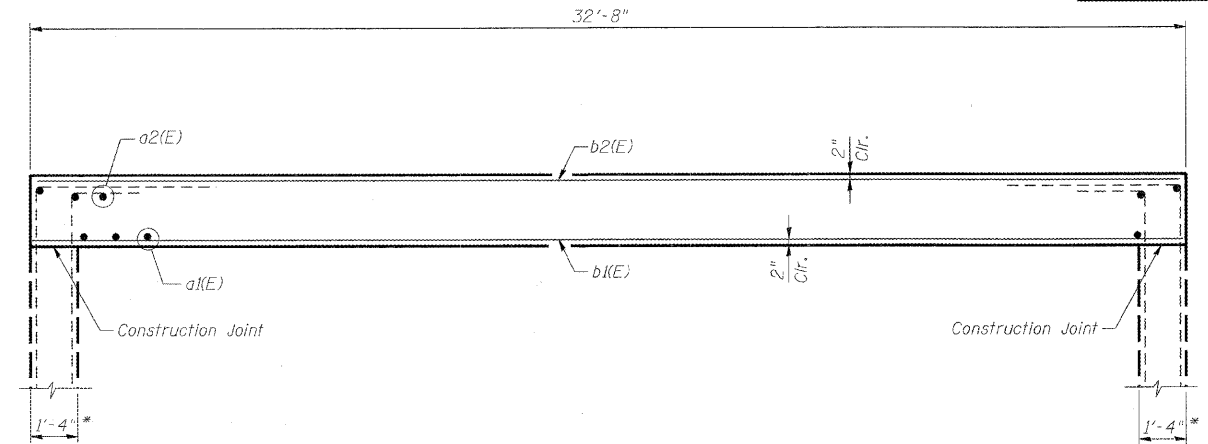
Bar	No.	Size	Length	Shape
a1(E)	132	#7	36'-9"	—
a2(E)	66	#5	36'-0"	—
b1(E)	140	#10	32'-4"	—
b2(E)	70	#5	32'-4"	—
d3(E)	8	#6	32'-4"	—
h1(E)	2	#7	32'-4"	—
u(E)	33	#4	6'-4"	□
u1(E)	66	#5	8'-8"	□
Concrete Structures			Cu. Yd.	173.7
Reinforcement Bars, Epoxy Coated			Pound	35,490



SECTION G-G

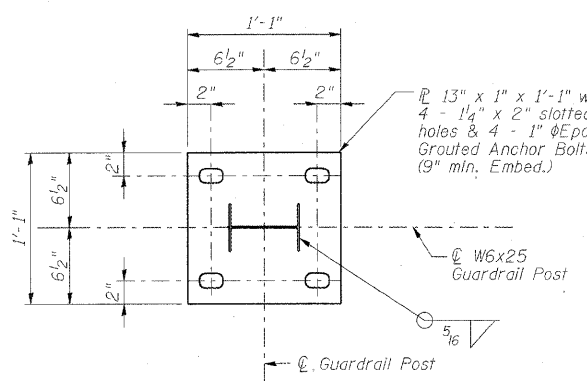


SECTION B-B



SECTION A-A

* Dimension does not include additional thickness required for architectural treatment



SECTION H-H

▲ Addendum #1 - 6/5/09

DESIGNED	AAV
CHECKED	AJK
DRAWN	VH
CHECKED	HMA/DMC

benesch
alfred benesch & company
Engineers • Surveyors • Planners
205 North Michigan Avenue, Suite 2400
Chicago, Illinois 60601
312-565-0450
Job # 3944

**TOP SLAB REINFORCEMENT
MULTI-USE PATH UNDER
IL 25/STEARNS ROAD
F.A.P. 360 - SEC. 06-00214-15-BR
KANE COUNTY
STATION 916+09.93
STRUCTURE NO. 045-3173**