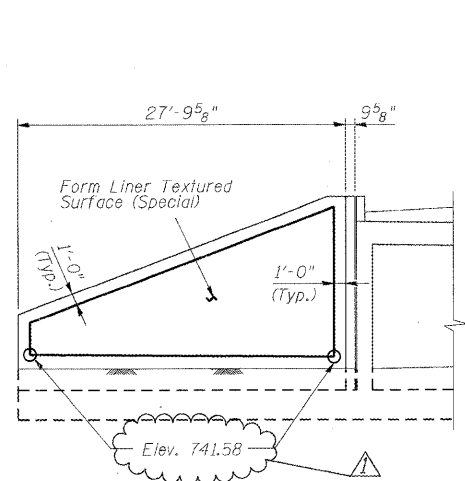


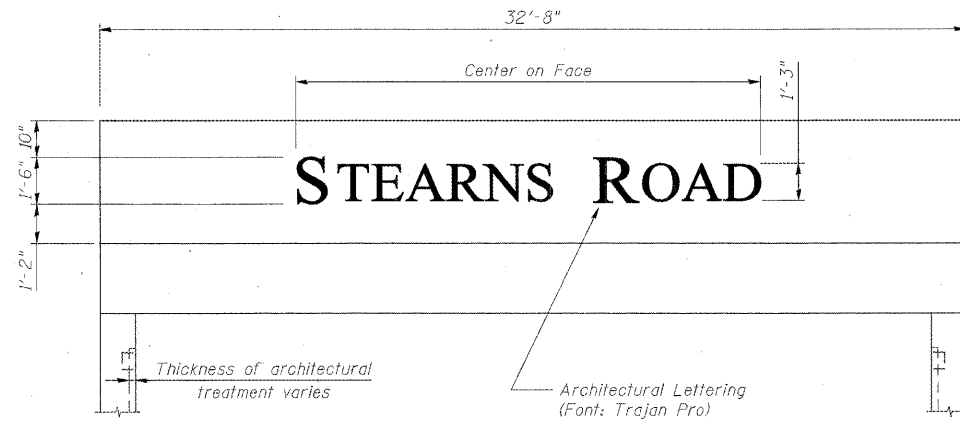
STATE OF ILLINOIS  
DEPARTMENT OF TRANSPORTATION

ROUTE NO.	SECTION	COUNTY	LOCAL SHEETS	SHEET NO.	SHEET SA- 13 OF 14 SHEETS
		KANE	545	300	
FED. ROAD DIST. NO. 7		ILLINOIS	FED. AID PROJECT		

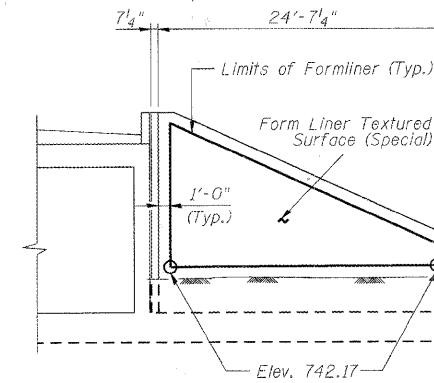
Contract #63074



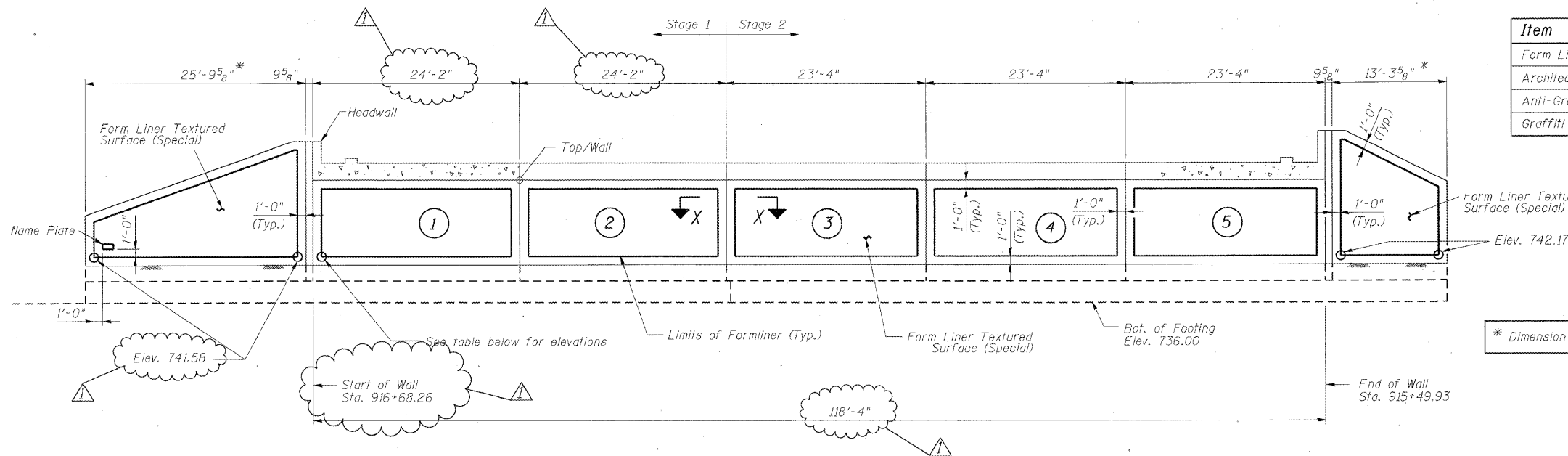
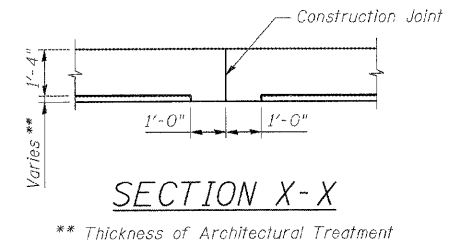
NORTH WEST WINGWALL ELEVATION



HEADWALL ELEVATION



SOUTH WEST WINGWALL ELEVATION



NORTH EAST WINGWALL

ELEVATION

SOUTH EAST WINGWALL

BILL OF MATERIAL

Item	Unit	Stage 1	Stage 2
Form Liner Textured Surface (Special)	Sq. Ft.	1,489	1,766
Architectural Lettering	L. Sum	0.25	0.25
Anti-Graffiti Coating	Sq. Ft.	1,668	1,946
Graffiti Removal (Special)	Sq. Yd.	162	234

FORMLINER ELEVATIONS

Location	Station	Bottom Elevation
Start of Wall	916+68.26	741.59
Between Panels 1 & 2	916+44.10	741.69
Stage Construction Joint	916+19.93	741.81
Between Panels 3 & 4	915+96.60	741.93
Between Panels 4 & 5	915+73.27	742.04
End of Wall	915+49.93	742.16

NOTES:

- Stations and offsets are measured with respect to Mixed-Use Path along IL 25/Dunham Road

DESIGNED	AAY
CHECKED	AJK
DRAWN	VH
CHECKED	HMA/DMC

Addendum #1 - 6/5/09

**benesch**

alfred benesch & company  
Engineers • Surveyors • Planners  
205 North Michigan Avenue, Suite 2400  
Chicago, Illinois 60601  
312-685-0450  
Job # 3944

ARCHITECTURAL TREATMENT  
MULTI-USE PATH UNDER  
IL 25/STEARNS ROAD  
F.A.P. 360 - SEC. 06-00214-15-BR  
KANE COUNTY  
STATION 916+09.93  
STRUCTURE NO. 045-3173