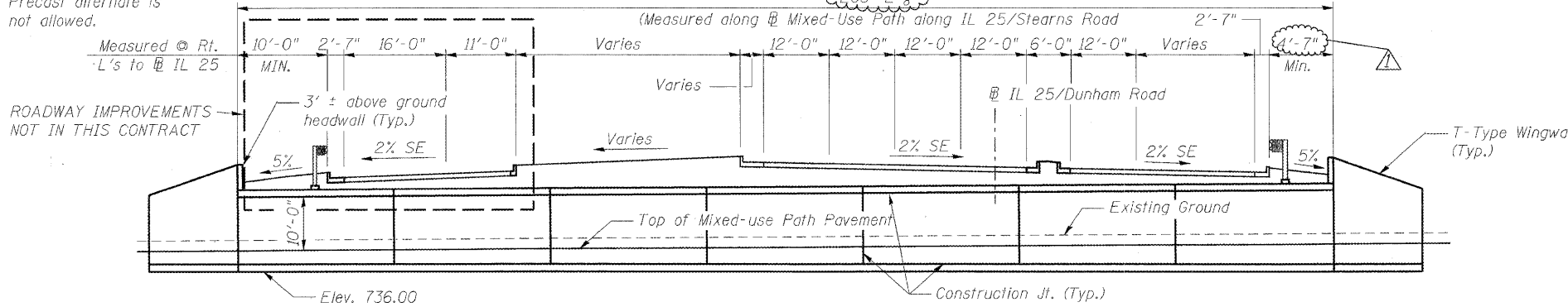


Benchmark BM-24:
 "Aluminum Disk" set in concrete, 0.50± mile east of Stearns Road and
 Dunham Road at the south side of Stearns Road. Elev. 762.678
 Existing Structure: None
 Precast alternate is
 not allowed.

STATE OF ILLINOIS
 DEPARTMENT OF TRANSPORTATION

ROUTE NO.	SECTION	COUNTY	TOTAL SHEETS	SHEET NO.	SHEET SB- 1 OF 14 SHEETS
-	-	KANE	645	302	
FED. ROAD DIST. NO. 7		ILLINOIS	FED. AID PROJECT-		Contract # 63074



LOADING HS-20
 Allow 50#/sq. ft. for future wearing surface.

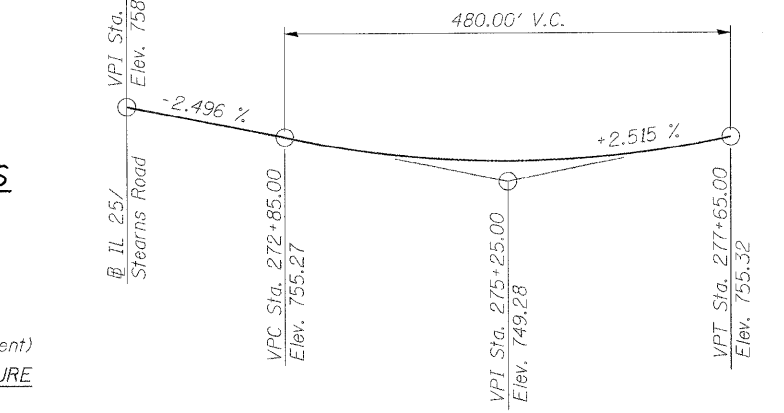
DESIGN SPECIFICATIONS
 AASHTO Standard Specifications for Highway Bridges, 17th edition

DESIGN STRESSES

FIELD UNITS
 $f'_c = 3,500$ psi
 $f_y = 60,000$ psi (Reinforcement)

MAXIMUM APPLIED BEARING PRESSURE
 3,000 psf

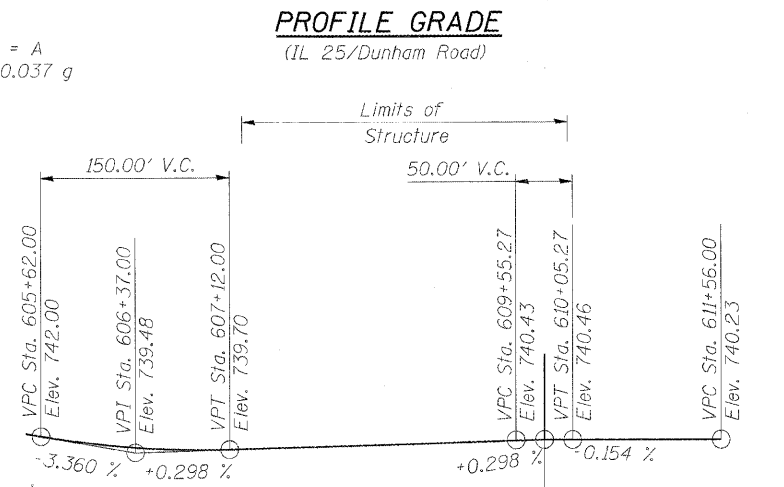
SEISMIC DATA
 Seismic Performance Category (SPC) = A
 Bedrock Acceleration Coefficient (A) = 0.037 g
 Site Coefficient (S) = 1.0



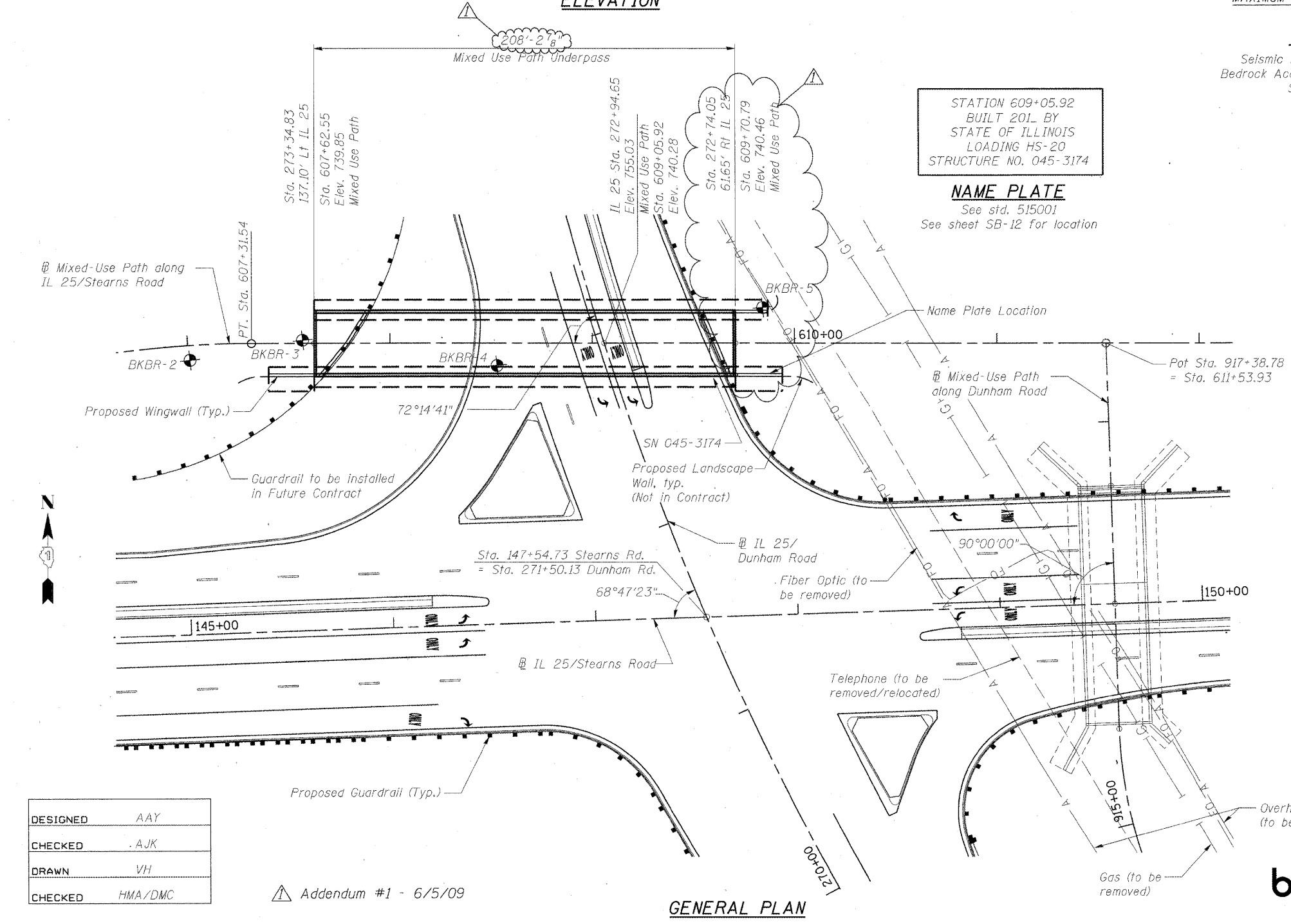
ELEVATION

STATION 609+05.92
 BUILT 2011 BY
 STATE OF ILLINOIS
 LOADING HS-20
 STRUCTURE NO. 045-3174

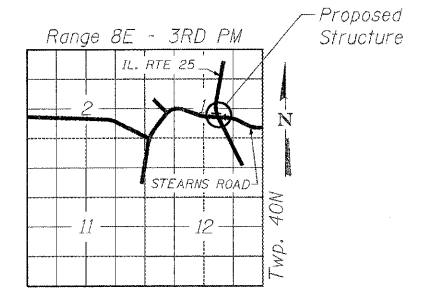
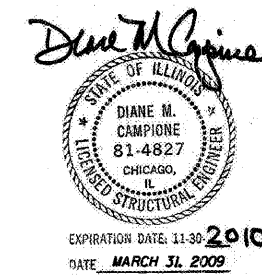
NAME PLATE
 See std. 515001
 See sheet SB-12 for location



PROFILE GRADE



GENERAL PLAN



LOCATION SKETCH

**GENERAL PLAN AND ELEVATION
 MIXED-USE PATH UNDER
 IL 25/DUNHAM ROAD
 F.A.P. 360 - SEC. 06-00214-15-BR
 KANE COUNTY
 STATION 609+05.92
 STRUCTURE NO. 045-3174**

benesch
 alfred benesch & company
 Engineers • Surveyors • Planners
 205 North Michigan Avenue, Suite 2400
 Chicago, Illinois 60601
 312-585-0450
 Job # 3944

DESIGNED	AAY
CHECKED	AJK
DRAWN	VH
CHECKED	HMA/DMC

▲ Addendum #1 - 6/5/09