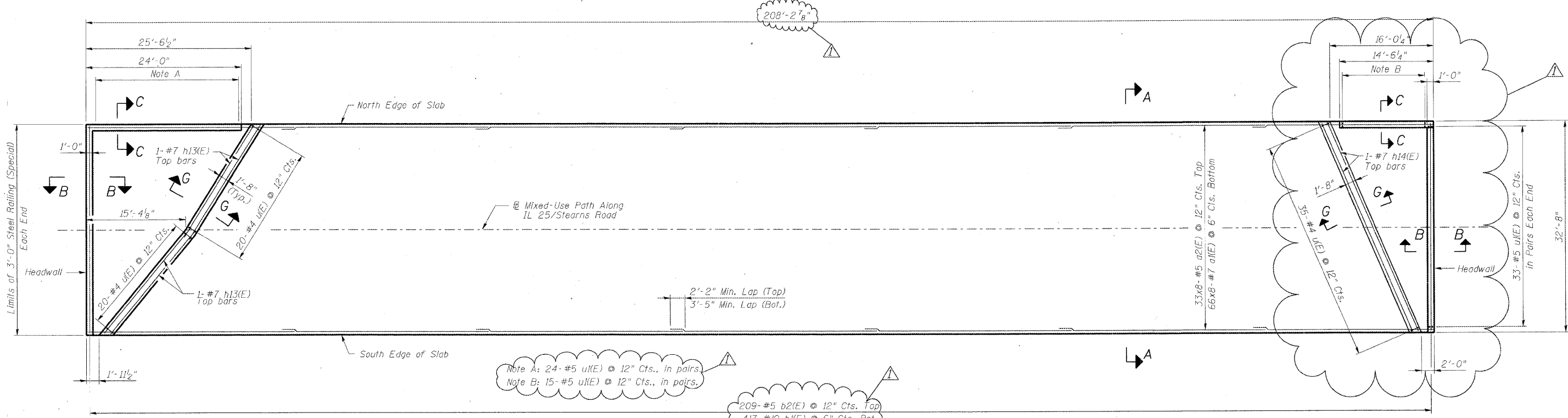


STATE OF ILLINOIS
DEPARTMENT OF TRANSPORTATION

ROUTE NO.	SECTION	COUNTY	TOTAL SHEETS	SHEET NO.
-	-	KANE	645	325
FED. ROAD DIST. NO. 7		ILLINOIS	FED. AID PROJECT-	

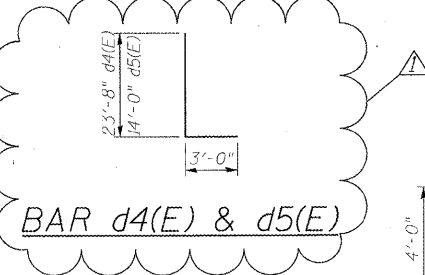
Contract # 63074

SHEET SB- 4
OF 14 SHEETS

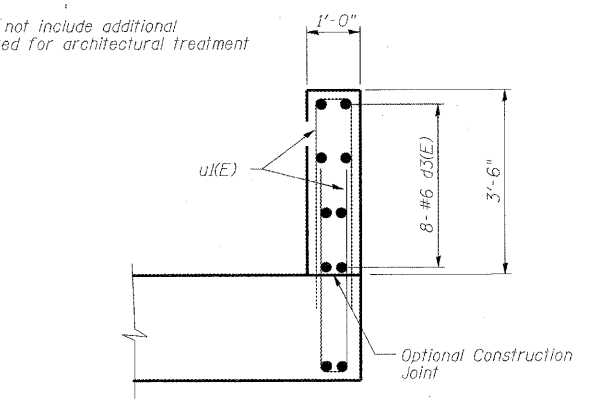
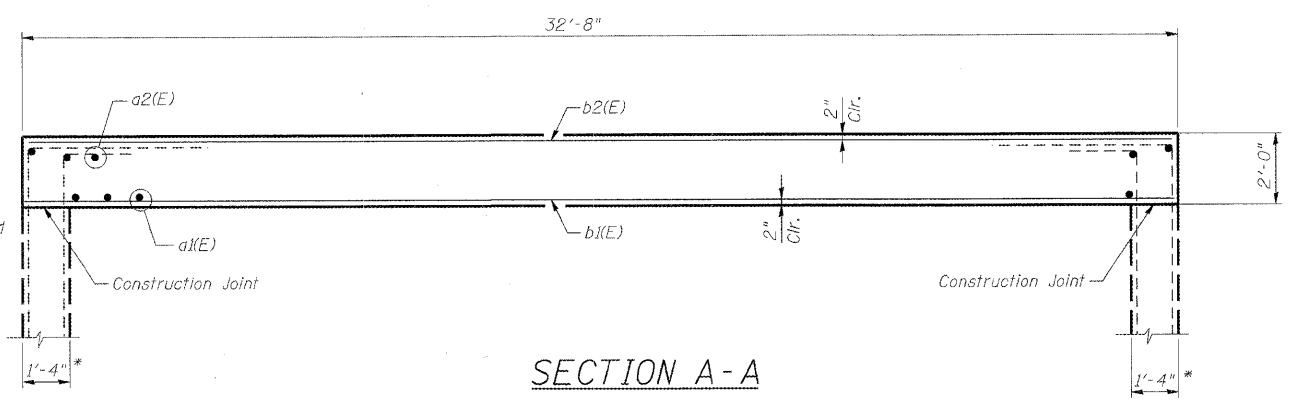
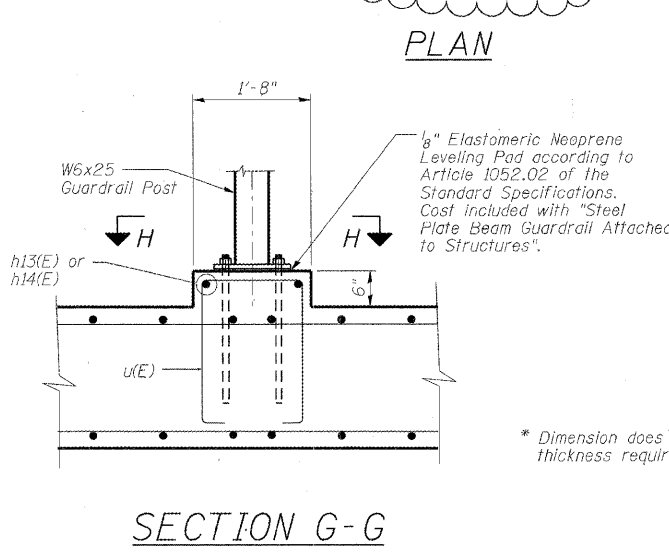
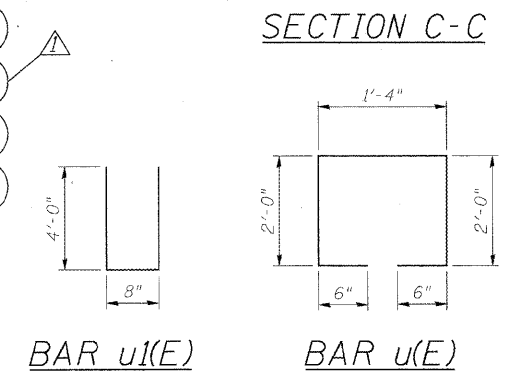
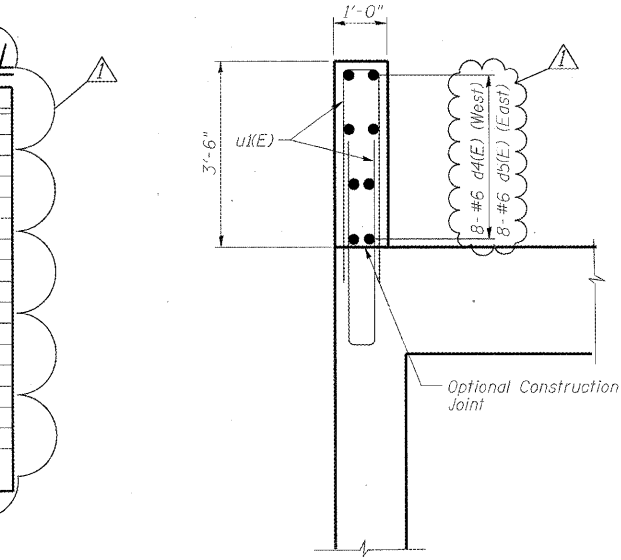


BILL OF MATERIAL

Bar	No.	Size	Length	Shape
a1(E)	528	#7	29'-6"	—
a2(E)	264	#5	28'-3"	—
b1(E)	417	#10	32'-4"	—
b2(E)	209	#5	32'-4"	—
d3(E)	16	#6	32'-4"	—
d4(E)	8	#6	26'-8"	—
d5(E)	8	#6	17'-0"	—
h13(E)	4	#7	20'-6"	—
h14(E)	2	#7	35'-0"	—
u(E)	75	#4	6'-4"	□
u(E)	210	#5	8'-8"	—
Concrete Structures		Cu. Yd.	517.1	
Reinforcement Bars		Pound	108,510	
		Epoxy Coated		



DESIGNED	AAY
CHECKED	AJK
DRAWN	VH
CHECKED	HMA/DMC



NOTES:
1. Bars indicated thus 34x8-#5 etc. indicates 33 lines of bars with 8 lengths per line.

**TOP SLAB REINFORCEMENT
MIXED-USE PATH UNDER
IL 25/DUNHAM ROAD
F.A.P. 360 - SEC. 06-00214-15-BR
KANE COUNTY
STATION 609+05.92
STRUCTURE NO. 045-3174**

benesch
Engineers • Surveyors • Planners
205 North Michigan Avenue, Suite 2400
Chicago, Illinois 60601
312-685-0450
Job # 3944

▲ Addendum #1 - 6/5/09

x:\3900s\3944\engineering\documents\IL25-Stearns_Path_under_IL25-SN045-3174\Final\0453174-63074-004-deck.dgn 6/3/2009 1:45:22 PM