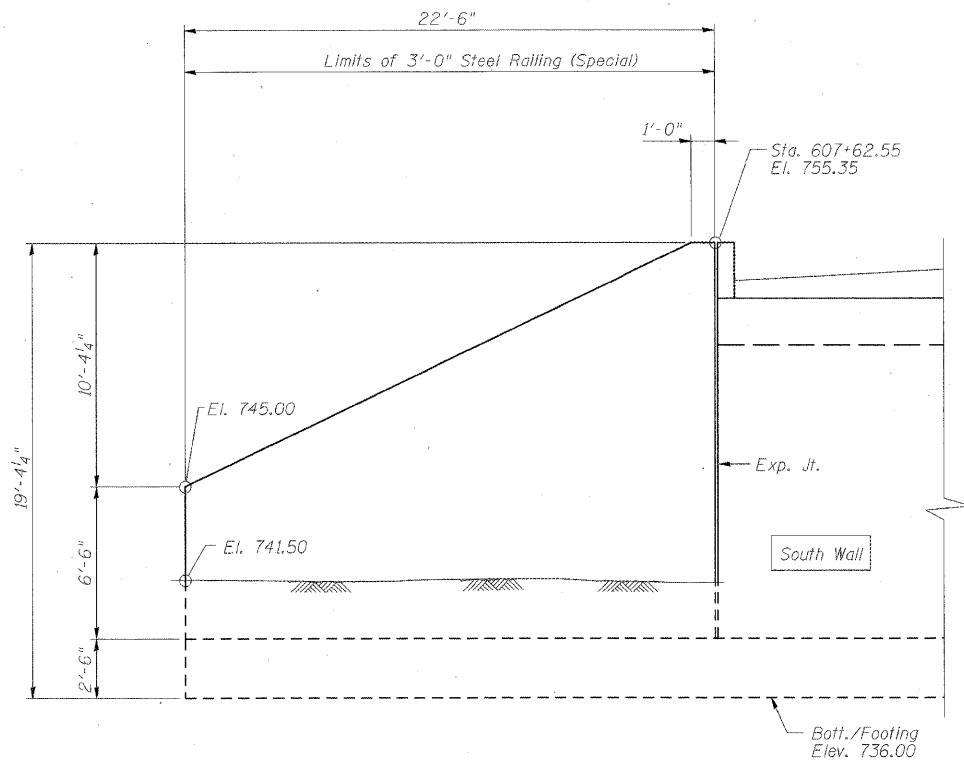


STATE OF ILLINOIS  
DEPARTMENT OF TRANSPORTATION

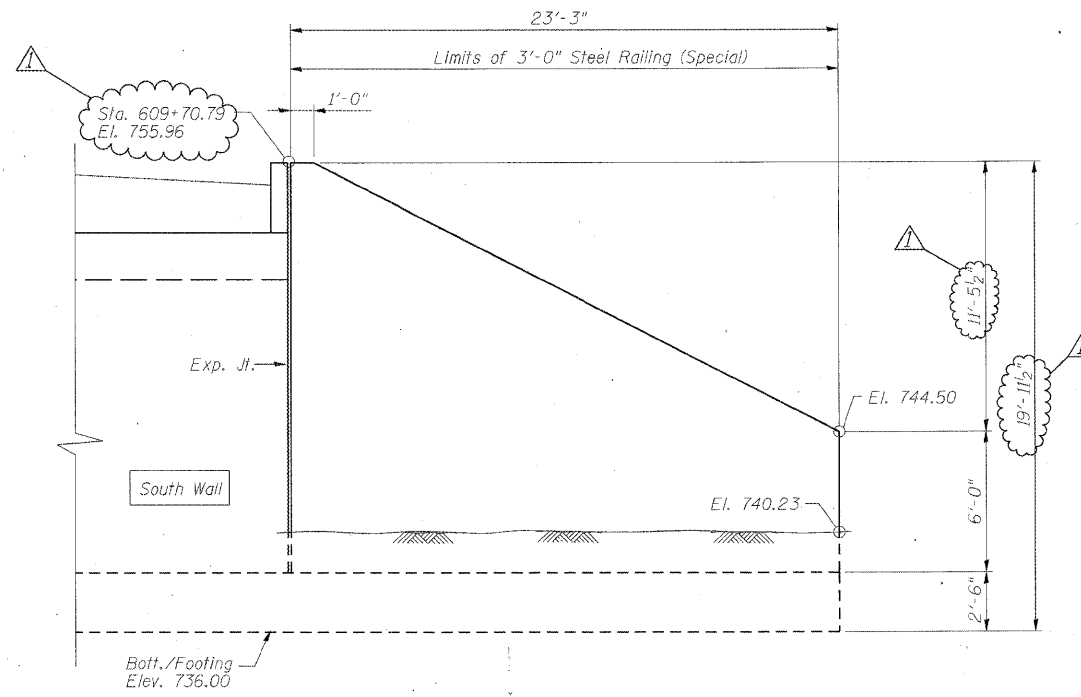
ROUTE NO.	SECTION	COUNTY	TOTAL SHEETS	SHEET NO.
		KANE	545	309
SHEET SB- 8 OF 14 SHEETS				
FED. ROAD DIST. NO. 7	ILLINOIS	FED. AID PROJECT		

Contract # 63074



**WINGWALL ELEVATION**

(South West End)  
Looking North



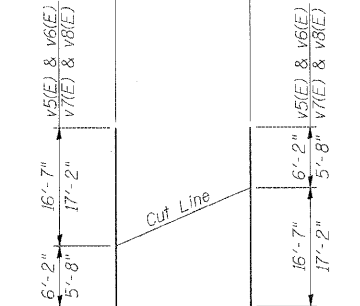
**WINGWALL ELEVATION**

(South East End)  
Looking North

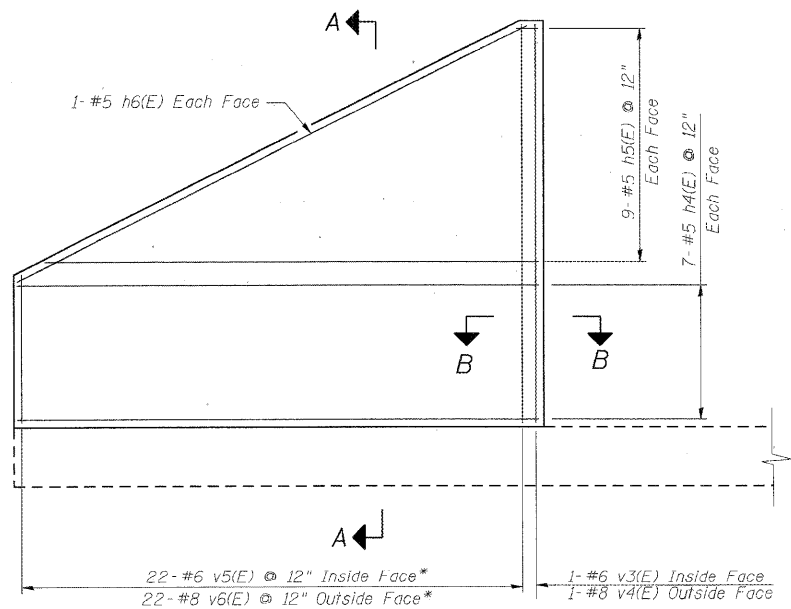


**BARS h5(E) & h8(E)**

11-#6 v5(E) & 11-#8 v6(E)  
11-#6 v7(E) & 11-#8 v8(E)

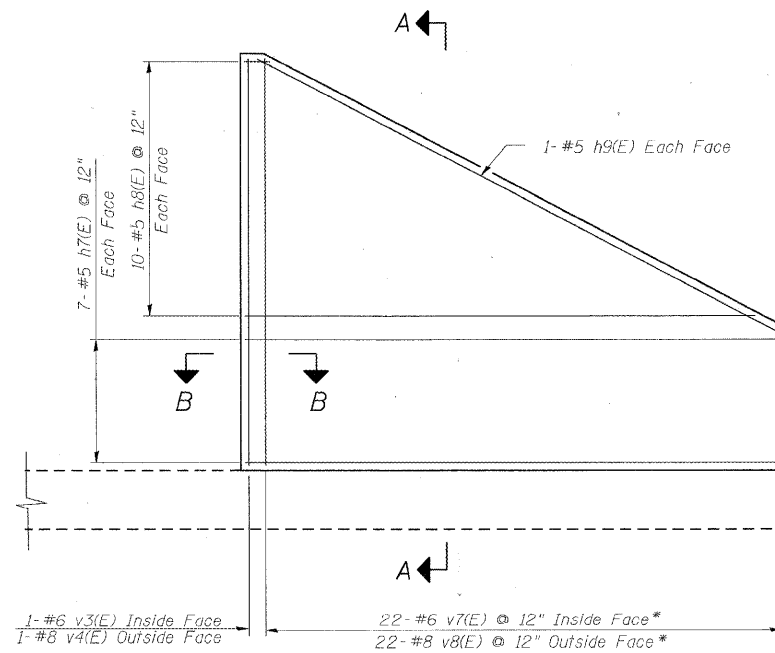


**BARS v5(E), v6(E), v7(E) & v8(E)**



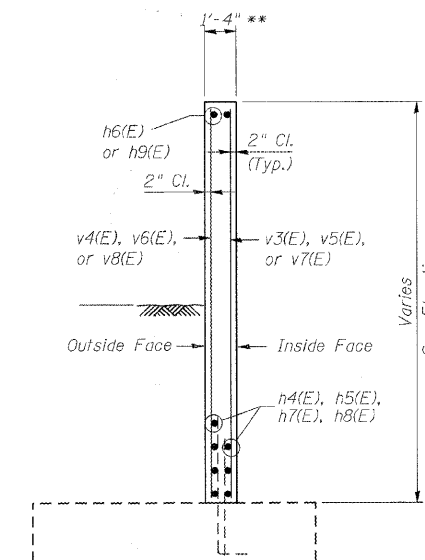
**REINFORCEMENT ELEVATION**

(South West End)



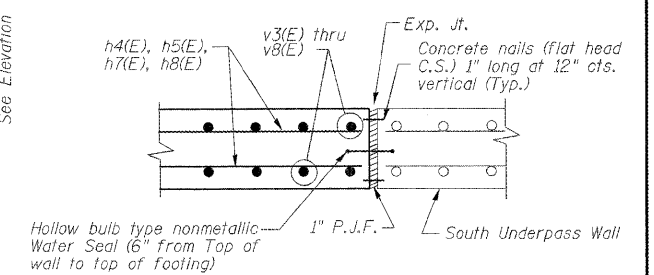
**REINFORCEMENT ELEVATION**

(South East End)



**SECTION A-A**

\*\* Dimension does not include additional thickness required for architectural treatment



**SECTION B-B**

\* See cutting diagram

**NOTES:**

1. For Wingwall Footing layout see sheet SB-3.
2. For Wingwall Bill of Materials see sheet SB-9.
3. Form liner architectural treatment to be applied to Inside face of wingwalls

DESIGNED	AAY
CHECKED	AJK
DRAWN	VH
CHECKED	HMA/DMC

△ Addendum #1 - 6/5/09

**benesch**  
alfred benesch & company  
Engineers • Surveyors • Planners  
205 North Michigan Avenue, Suite 2400  
Chicago, Illinois 60601  
312-685-0450  
Job # 3944

**WINGWALL DETAILS 1 OF 2**  
**MIXED-USE PATH UNDER**  
**IL 25/DUNHAM ROAD**  
**F.A.P. 360 - SEC. 06-00214-15-BR**  
**KANE COUNTY**  
**STATION 609+05.92**  
**STRUCTURE NO. 045-3174**