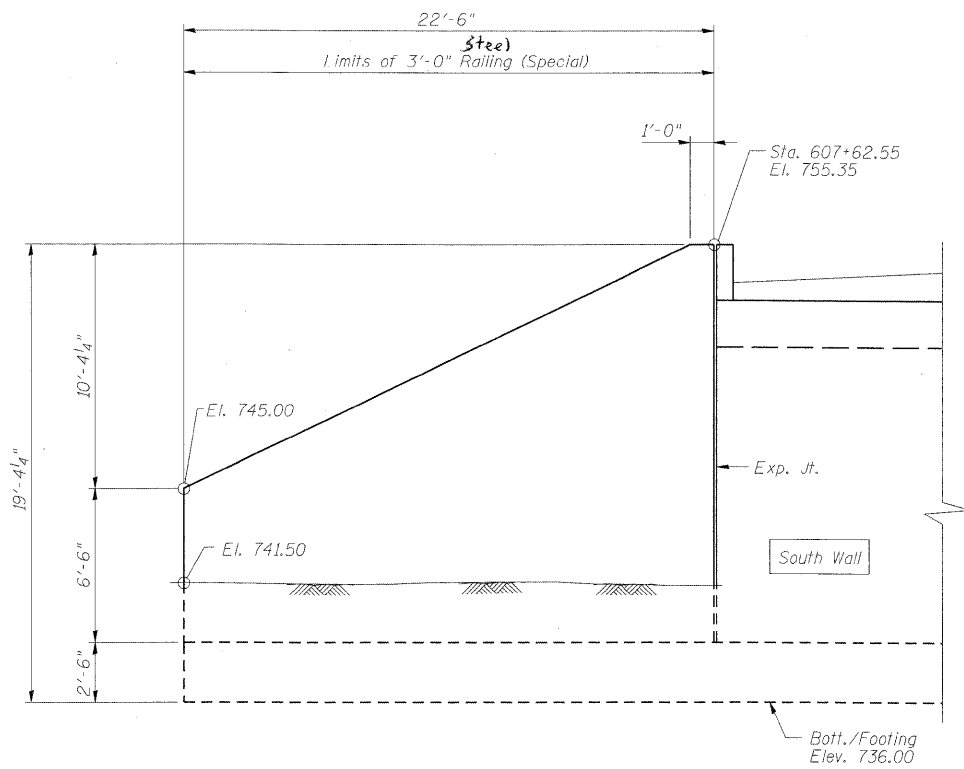


STATE OF ILLINOIS
DEPARTMENT OF TRANSPORTATION

ROUTE NO.	SECTION	COUNTY	TOTAL SHEETS	SHEET NO.
-	-	KANE	545	309

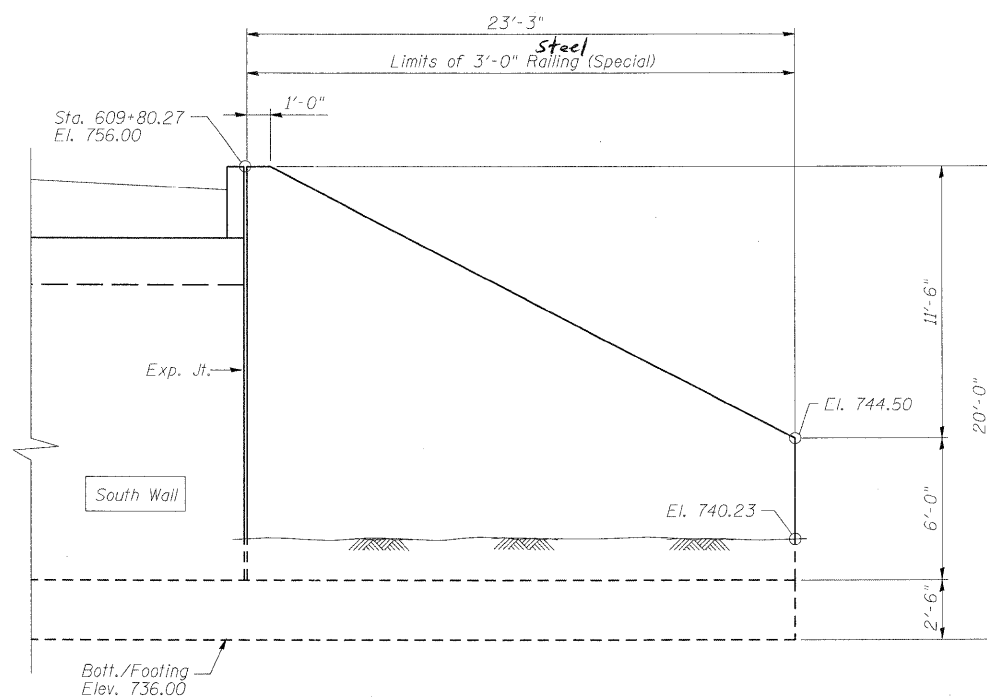
SHEET SB- 8
OF 14 SHEETS

Contract # 63074



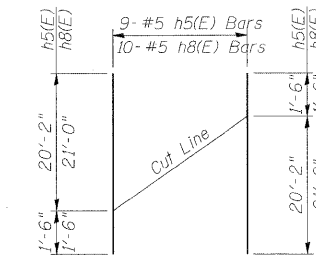
WINGWALL ELEVATION

(South West End)
Looking North



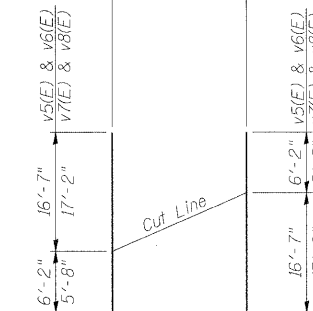
WINGWALL ELEVATION

(South East End)
Looking North

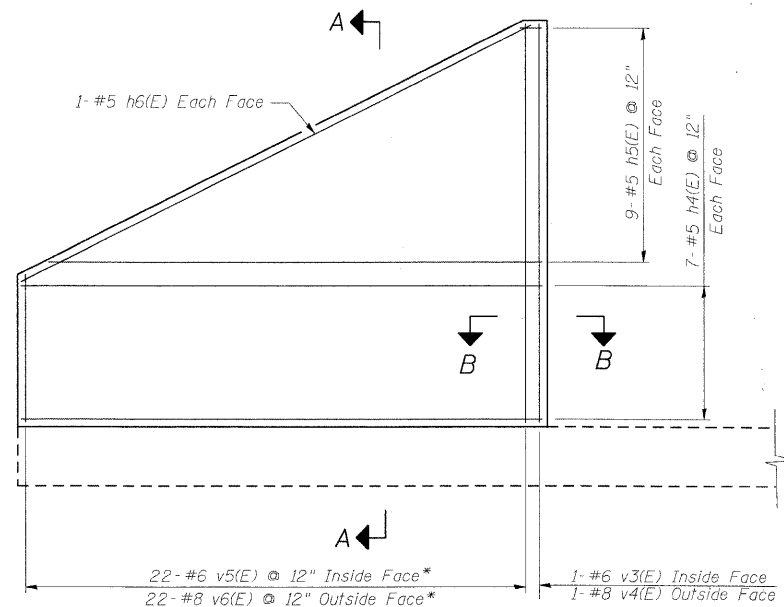


BARS h5(E) & h8(E)

11- #6 v5(E) & 11- #8 v6(E)
11- #6 v7(E) & 11- #8 v8(E)

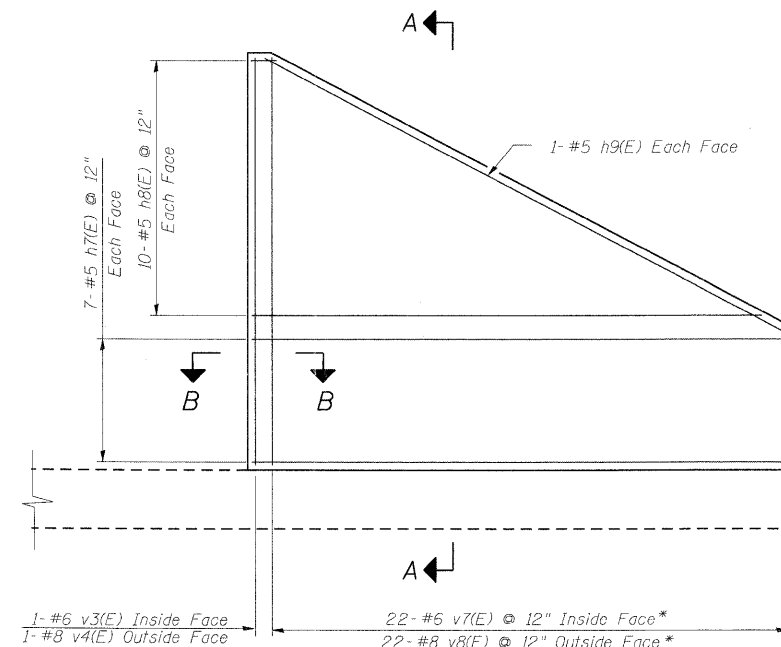


BARS v5(E), v6(E), v7(E) & v8(E)



REINFORCEMENT ELEVATION

(South West End)



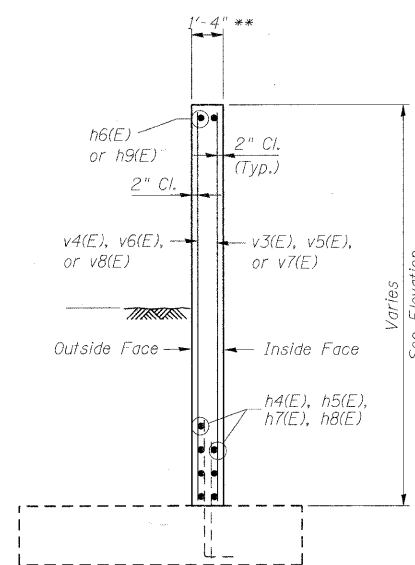
REINFORCEMENT ELEVATION

(South East End)

* See cutting diagram

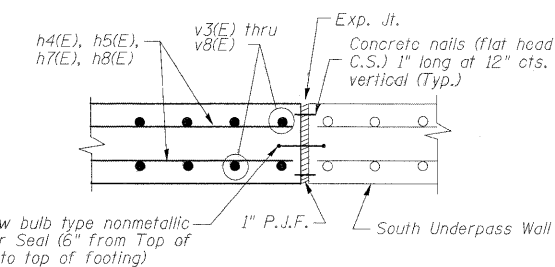
NOTES:

1. For Wingwall Footing layout see sheet SB-3.
2. For Wingwall Bill of Materials see sheet SB-9.
3. Form liner architectural treatment to be applied to Inside face of wingwalls



SECTION A-A

** Dimension does not include additional thickness required for architectural treatment



SECTION B-B

DESIGNED	AAY
CHECKED	AJK
DRAWN	VH
CHECKED	HMA/DMC

benesch
alfred benesch & company
Engineers • Surveyors • Planners
205 North Michigan Avenue, Suite 2400
Chicago, Illinois 60601
312.565-0450
Job # 3944

WINGWALL DETAILS 1 OF 2
MIXED-USE PATH UNDER
IL 25/DUNHAM ROAD
F.A.P. 360 - SEC. 06-00214-15-BR
KANE COUNTY
STATION 609+05.92
STRUCTURE NO. 045-3174