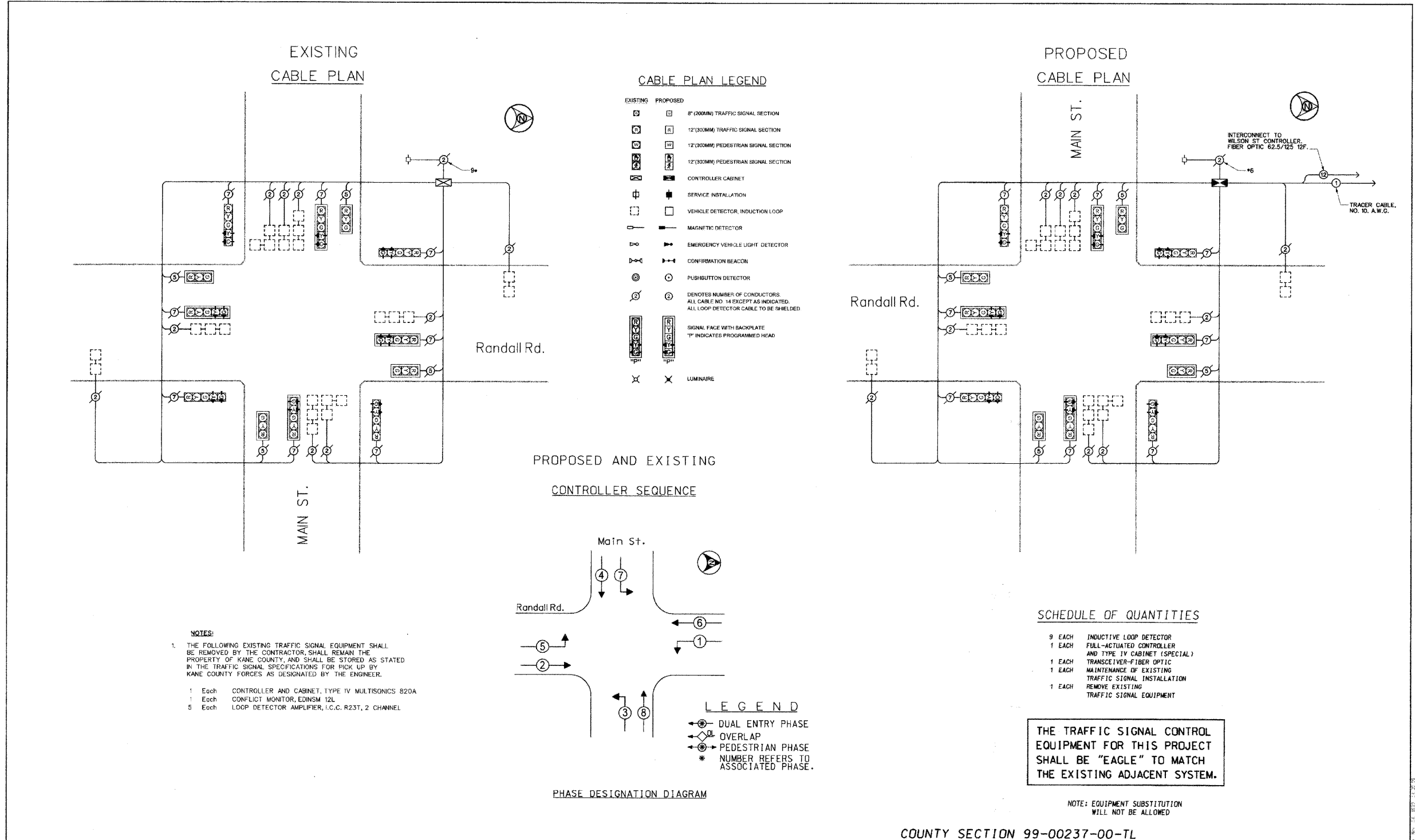


# FOR INFORMATION ONLY

NOTE: PROPOSED INTERCONNECT CABLE, CCTV CABLE, AND EXISTING EVP NOT SHOWN ON SCHEMATIC.

DATE	BY	DATE	BY
DATE	BY	DATE	BY

**HNTB**  
 HNTB CORPORATION  
 SUITE 1200  
 100 W. WASHINGTON ST.  
 CHICAGO, IL 60606  
 312.590.9119



**METRO TRANSPORTATION GROUP, INC.**  
 TRANSPORTATION PLANNING, ENGINEERING AND DESIGN  
 1300 GREENBROOK, HANOVER PARK, IL 60103 PH# 630 213-1000

REVISIONS		
NO.	DATE	DESCRIPTION
X	04/15/99	ADD INTERCONNECT

**CABLE PLAN, PHASE DESIGNATION DIAGRAM and SCHEDULE OF QUANTITIES**  
 RANDALL RD. @ MAIN ST  
 BATAVIA, ILLINOIS

FILE NAME: main_cp.dgn	SHEET NO.:
DATE: Apr 11 15, 1999	<b>3</b>
PROJECT NO.:	OF 24
3857-00	

FILE NAME = ##DGN SPEC##	USER NAME = jzvolanek	DESIGNED JOSH ZVOLANEK	REVISED -	<b>STATE OF ILLINOIS DEPARTMENT OF TRANSPORTATION</b>	<b>CABLE PLAN RANDALL ROAD AT MAIN STREET</b>	F.A. RTE.:	SECTION	COUNTY	TOTAL SHEETS	SHEET NO.	
	PLOT SCALE =	CHECKED YOUNGJAE JU	REVISED -			336	07-00366-00-TL	KANE	43	8	
	PLOT DATE = 11-FEB-2009	DRAWN JOSH ZVOLANEK	REVISED -			CONTRACT NO. 63128					
		DATE 2/20/2009	REVISED -			FED. ROAD DIST. NO. ILLINOIS FED. AID PROJECT					