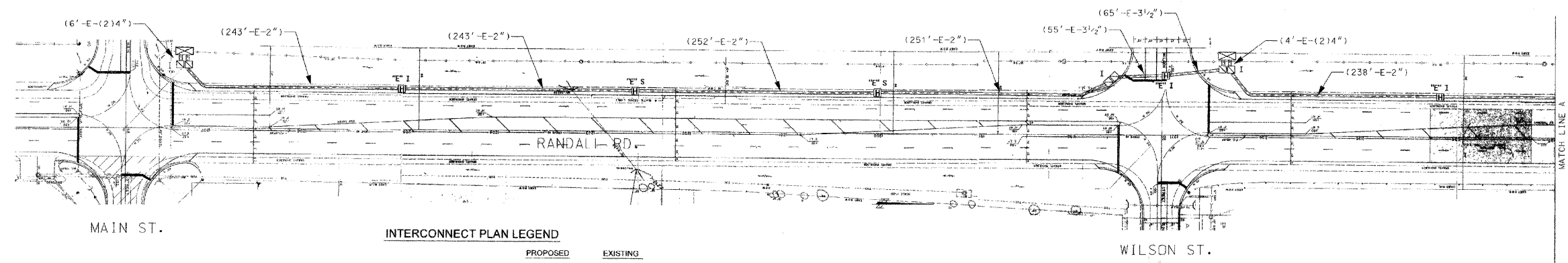
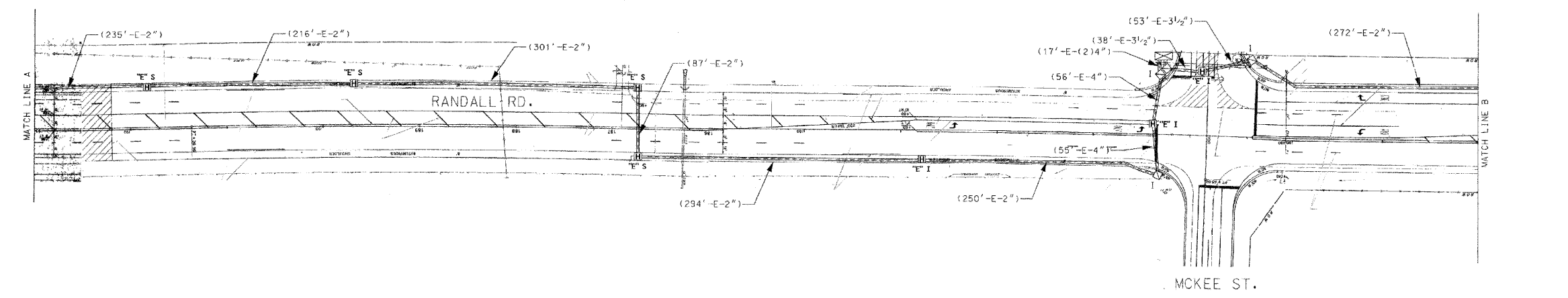
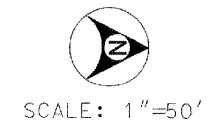


FOR INFORMATION ONLY



INTERCONNECT PLAN LEGEND

	PROPOSED	EXISTING
CONTROLLER		
HANDHOLE		
DOUBLE HANDHOLE		
HEAVY-DUTY HANDHOLE		
G.S. CONDUIT IN TRENCH OR PUSHED		
DETECTOR LOOP		
COMMON TRENCH	CT	
UNIT DUCT	UD	
SYSTEM	S	
INTERSECTION	IP	I



COUNTY SECTION 99-00237-00-TL



METRO TRANSPORTATION GROUP, INC.
 TRANSPORTATION PLANNING, ENGINEERING AND DESIGN
 1300 GREENBROOK, HANOVER PARK, IL 60103 PH# 630 213-1000

REVISIONS		
NO.	DATE	DESCRIPTION

INTERCONNECT PLAN
 RANDALL RD. (MAIN ST. TO KESLINGER RD.)
 GENEVA / BATAVIA, ILLINOIS

FILE NAME: ic_1.dgn	SHEET NO.:
DATE: Apr 11 15, 1999	15
PROJECT NO.:	OF 24
3857-00	

NOTE: RANDALL ROAD INTERCONNECT PLAN FROM MAIN STREET TO KESLINGER ROAD PROVIDED TO SHOW EXISTING CONDUIT ROUTING. PROPOSED WORK INCLUDES FIBER OPTIC CABLE INSTALLATION PER INTERCONNECT SCHEMATIC SHOWN ON SHEET NO. 18.

FILE NAME = **DGN SPEC**	USER NAME = jzvolanek	DESIGNED JOSH ZVOLANEK	REVISED -	STATE OF ILLINOIS	INTERCONNECT PLAN	F.A. RTE.:	SECTION	COUNTY	TOTAL SHEETS	SHEET NO.
		CHECKED YOUNGJAE JU	REVISED -	DEPARTMENT OF TRANSPORTATION	RANDALL ROAD	336	07-00366-00-TL	KANE	43	13
		PLOT SCALE =	DRAWN JOSH ZVOLANEK		ORCHARD ROAD TO FABYAN PARKWAY					
		PLOT DATE = 11-FEB-2009	DATE 2/20/2009		SCALE:					
			REVISED -							CONTRACT NO. 63128
										ILLINOIS FED. AID PROJECT

DATE	DATE
BY	BY
SURVEYED	SURVEYED
PLANNED	PLANNED
CHECKED	CHECKED
DATE	DATE
NO.	NO.
HNTB CORPORATION 1100 LEXINGTON STREET SUITE 200 CHICAGO, IL 60606 312.930.9119	
HNTB	
STRUCTURE NOTATION: DRKO	