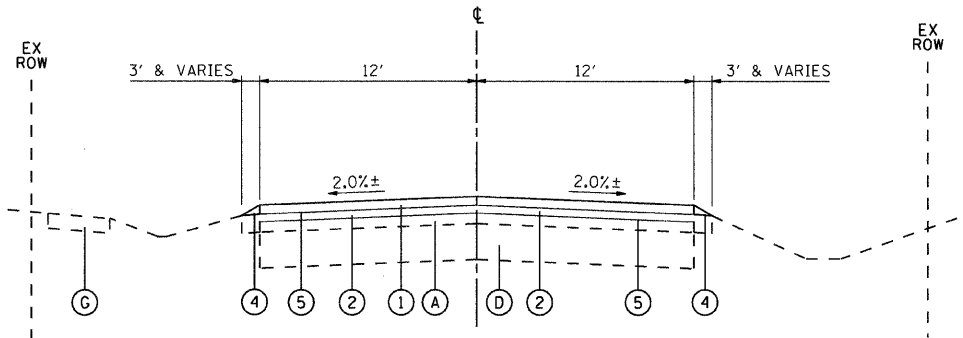
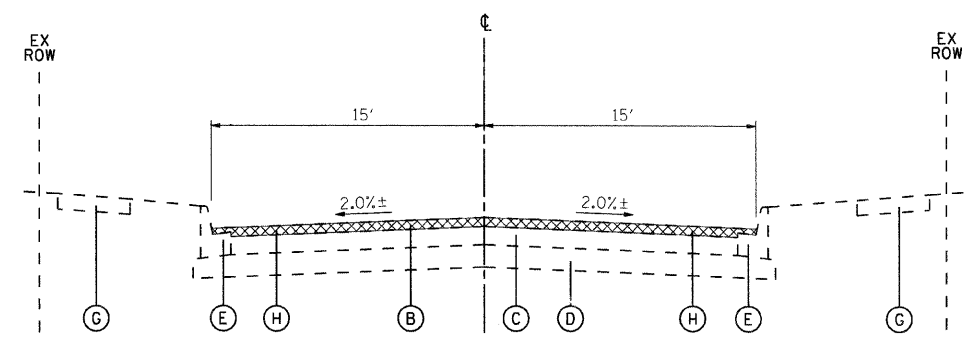


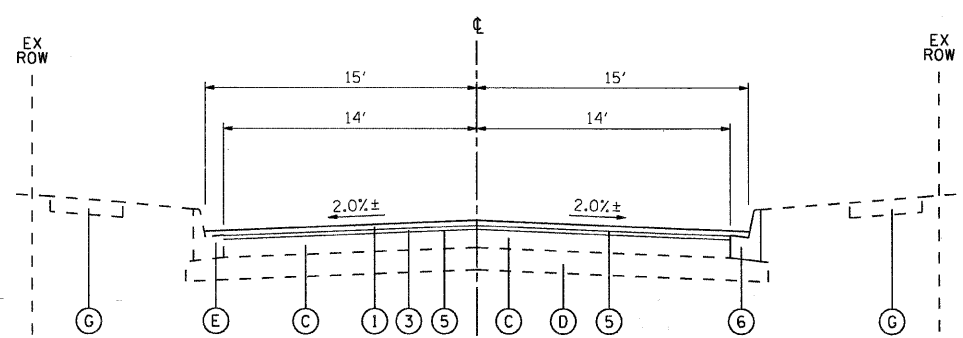
**EXISTING TYPICAL SECTION
LILLIAN STREET**
FROM STA. 100+45 TO STA. 116+66



**PROPOSED TYPICAL SECTION
LILLIAN STREET**
FROM STA. 100+45 TO STA. 116+66



**EXISTING TYPICAL SECTION
LILLIAN STREET**
FROM STA. 116+66 TO STA. 131+30



**PROPOSED TYPICAL SECTION
LILLIAN STREET**
FROM STA. 116+66 TO STA. 131+30

EXISTING LEGEND

- (A) ASPHALT PAVEMENT, 5'-6"±
- (B) ASPHALT RESURFACING, 2 1/2"±
- (C) PORTLAND CEMENT CONCRETE PAVEMENT, 8"±
- (D) AGGREGATE BASE
- (E) CONCRETE CURB OR CURB AND GUTTER
- (F) AGGREGATE SHOULDER
- (G) PCC SIDEWALK
- (H) PROPOSED HOT-MIX ASPHALT SURFACE REMOVAL - 2 1/2"
- (I) PROPOSED HOT-MIX ASPHALT SURFACE REMOVAL, 1 1/2"

PROPOSED LEGEND

- (1) HOT-MIX ASPHALT SURFACE COURSE, MIX D, N70, 1 3/4"
- (2) LEVELING BINDER (MACHINE METHOD), N70, 1 1/2"
- (3) LEVELING BINDER (MACHINE METHOD), N70, 3/4"
- (4) SEEDING, SPECIAL
- (5) BITUMINOUS MATERIALS (PRIME COAT) AND AGGREGATE (PRIME COAT)
- (6) COMBINATION CONCRETE CURB AND GUTTER, TYPE M-6.12 (REMOVE AND REPLACE AS NEEDED)

HOT-MIX ASPHALT MIXTURE REQUIREMENTS		
MIXTURE TYPE	AC TYPE	AIR VOIDS
PAVEMENT RESURFACING		
HMA SURFACE COURSE, MIX "D", N70 (IL-9.5mm)	PG 64-22	4% @ 70 GYR.
LEVELING BINDER (MACHINE METHOD), N70 (IL-9.5mm)	PG 64-22	4% @ 70 GYR.
DRIVEWAYS		
HMA SURFACE COURSE, MIX "C", N50; 2" (IL-9.5mm)	PG 64-22	4% @ 50 GYR.
PATCHING		
CLASS D PATCHES, TYPE II, 6 INCH (Binder II-19mm)	PG 64-22	4% @ 70 GYR.

THE UNIT WEIGHT TO CALCULATE ALL HMA SURFACE MIXTURE QUANTITIES IS 112 LBS/SQ YD/IN
*WHEN RAP EXCEEDS 20%, THE NEW ASPHALT BINDER IN THE MIX SHALL BE PG 58-22

COMPANY NAME: SEC GROUP, INC.
PROJECT CONTACT: A. CHADWICK
CLIENT: ILLINOIS DEPARTMENT OF TRANSPORTATION
FILE NAME: 080070-00-RS-01.dwg
PLOT DRIVER: pdfcrowd.com
PEN TABLE: standard-trans.tbl



USER NAME = jattaneseo	DESIGNED - JPA	REVISED -
FILE NAME = 080595-1-up-01.dwg	DRAWN - JPA	REVISED -
PLOT SCALE = N.T.S.	CHECKED - TCH	REVISED -
PLOT DATE = 3/18/2009	DATE - 3/18/09	REVISED -

**STATE OF ILLINOIS
DEPARTMENT OF TRANSPORTATION**

**EXISTING AND PROPOSED TYPICAL SECTIONS
LILLIAN STREET**

SCALE: N.T.S. SHEET NO. 1 OF 1 SHEETS STA. TO STA.

F.A. RTE.	SECTION	COUNTY	TOTAL SHEETS	SHEET NO.
82	08-00070-00-RS	MCHENRY	11	3
FED. ROAD DIST. NO. ILLINOIS FED. AID PROJECT			CONTRACT NO. 63143	