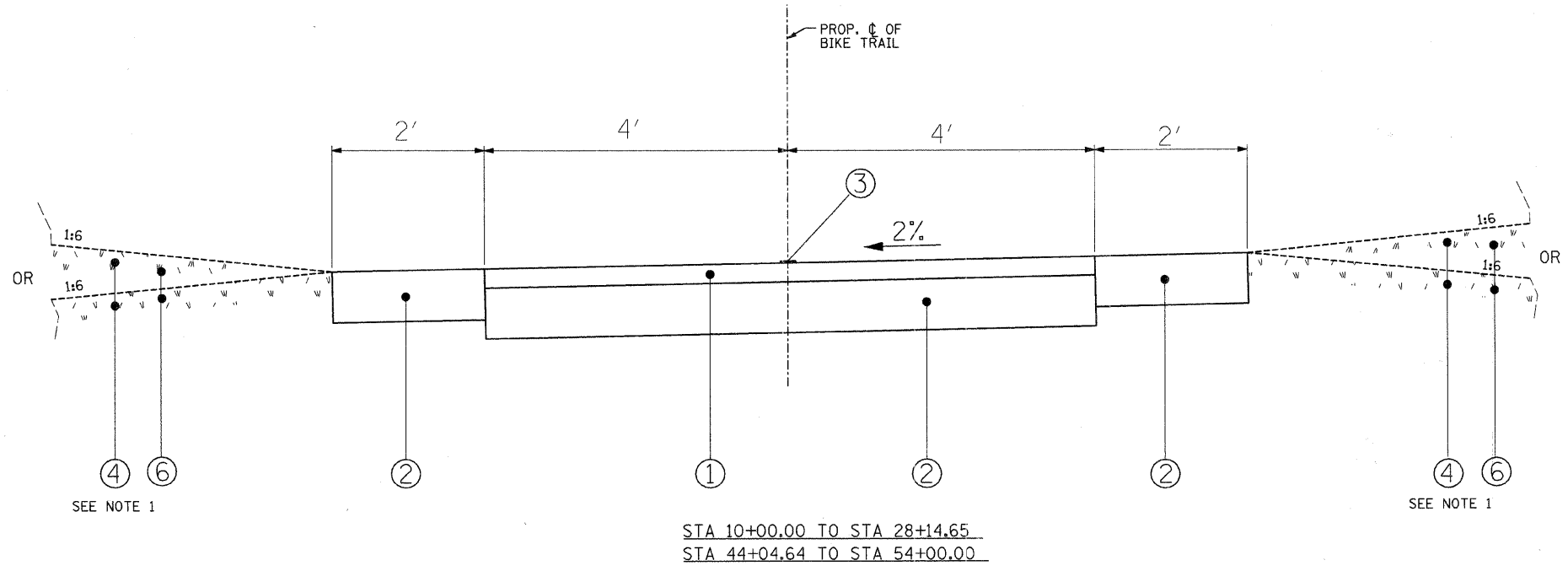


F.A. RTE.	SECTION	COUNTY	TOTAL SHEETS	SHEET NO.
	06-00069-00-BT	COOK	24	4
STA.		TO STA.		
FED. ROAD DIST. NO.		ILLINOIS		

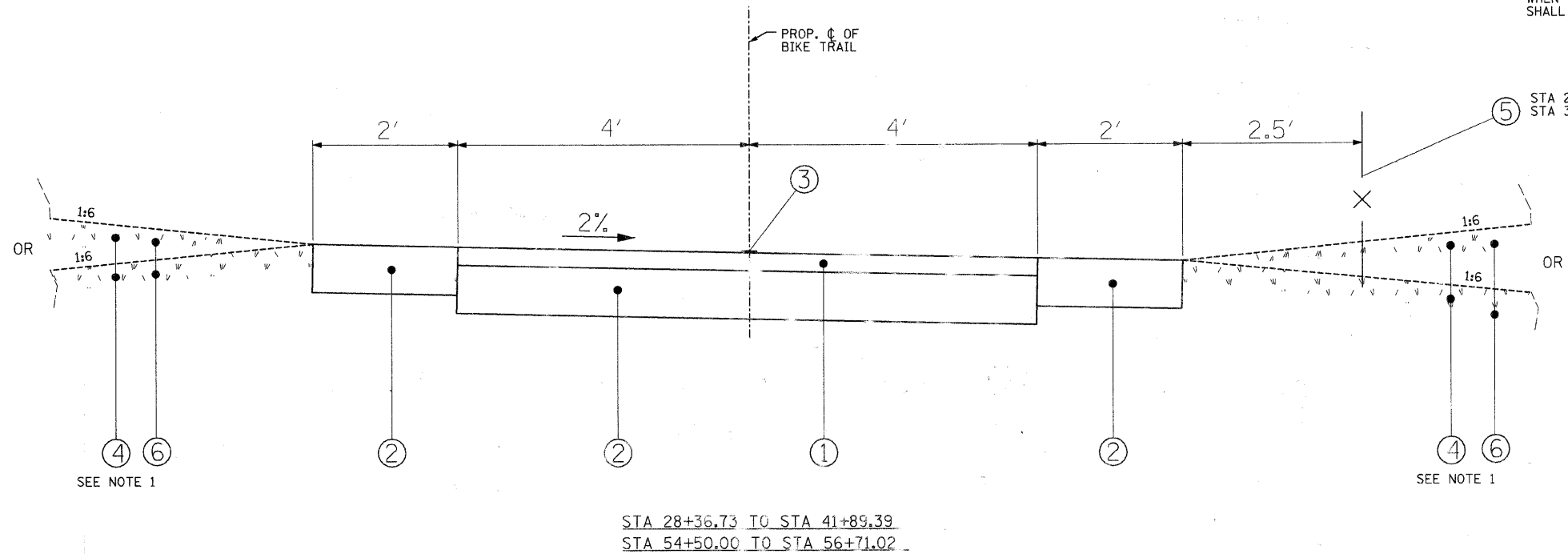


- LEGEND
- ① HOT-MIX ASPHALT SURFACE COURSE, MIX "C", IL-9.5, N50, 3 IN.
  - ② AGGREGATE BASE COURSE, TYPE B 8 IN.
  - ③ THERMOPLASTIC PAVEMENT MARKING - LINE 4"
  - ④ SEEDING, CLASS B
  - ⑤ CHAIN LINK FENCE, 5'
  - ⑥ TOPSOIL, FURNISH AND PLACE, 4"

HOT-MIX ASPHALT MIXTURE REQUIREMENTS

ITEM	AC TYPE	DESIGN AIR VOIDS
HOT-MIX ASPHALT SURFACE COURSE, MIX "C", N50	PG 64-22	4 % AT 50 GYRATIONS

UNIT WEIGHT USED TO MEASURE ALL HOT-MIX ASPHALT SURFACE COURSE QUANTITY IS 112 LBS/SQ YD/INCH.  
 WHEN RAP EXCEEDS 20%, THE NEW ASPHALT BINDER IN THE MIX SHALL BE PG 58-22.




NOTE 1  
 FOR EXACT SLOPE, SEE X-SECTIONS, SHTS 15 TO 24

REVISIONS	
NAME	DATE
IDOT REVIEW	3-3-09

PROPOSED TYPICAL CROSS SECTIONS  
 PEDESTRIAN / BIKE TRAIL  
 HAZEL CREST, IL  
 SECTION NO. 06-00069-00-BT

SCALE: VERT. N/A  
 HORIZ. N.T.S.  
 DATE 01/14/09  
 DRAWN BY L.S.  
 CHECKED BY D.W.S.

CIVIL / STRUCTURAL ENGINEERS  
  
 GLOBETROTTERS INTERNATIONAL  
 300 SOUTH WACKER DRIVE, SUITE 200  
 CHICAGO, IL. 60606

P:\cad\msv8\pen\_tables\dot.tbl Color - Monochrome  
 tds600-raster on fsi0.plt