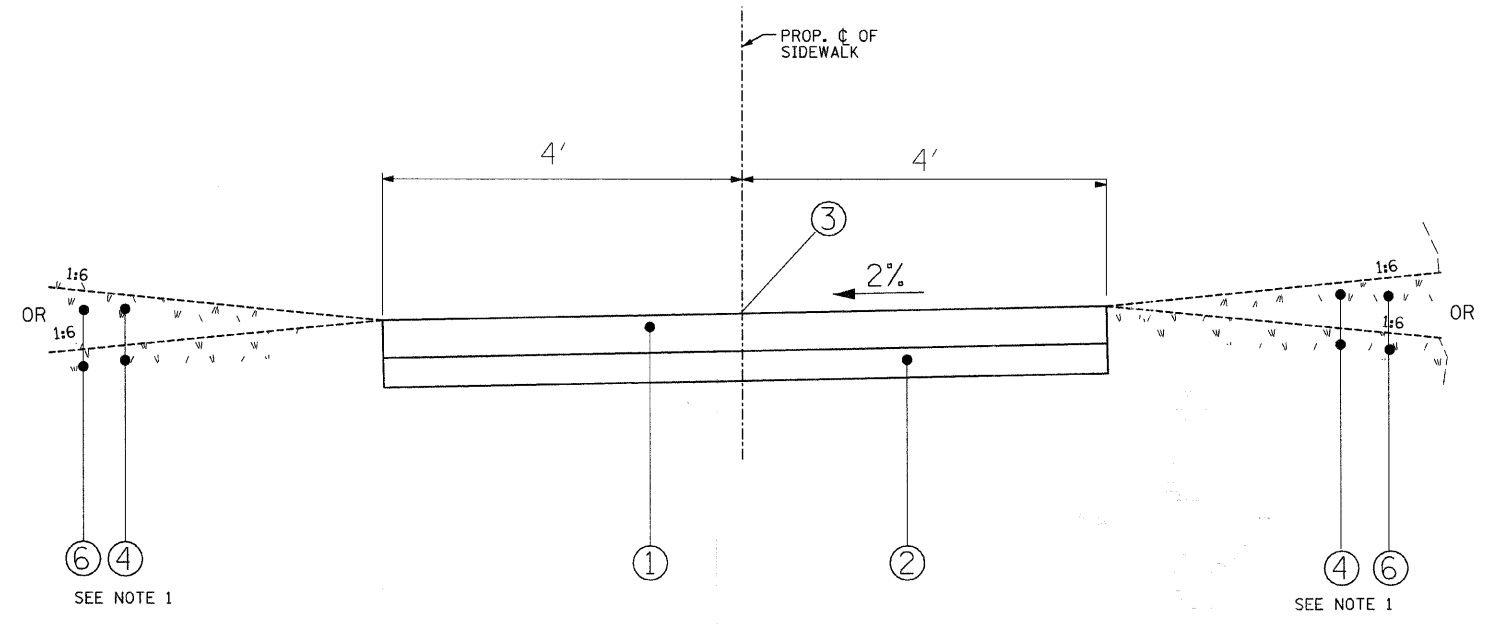


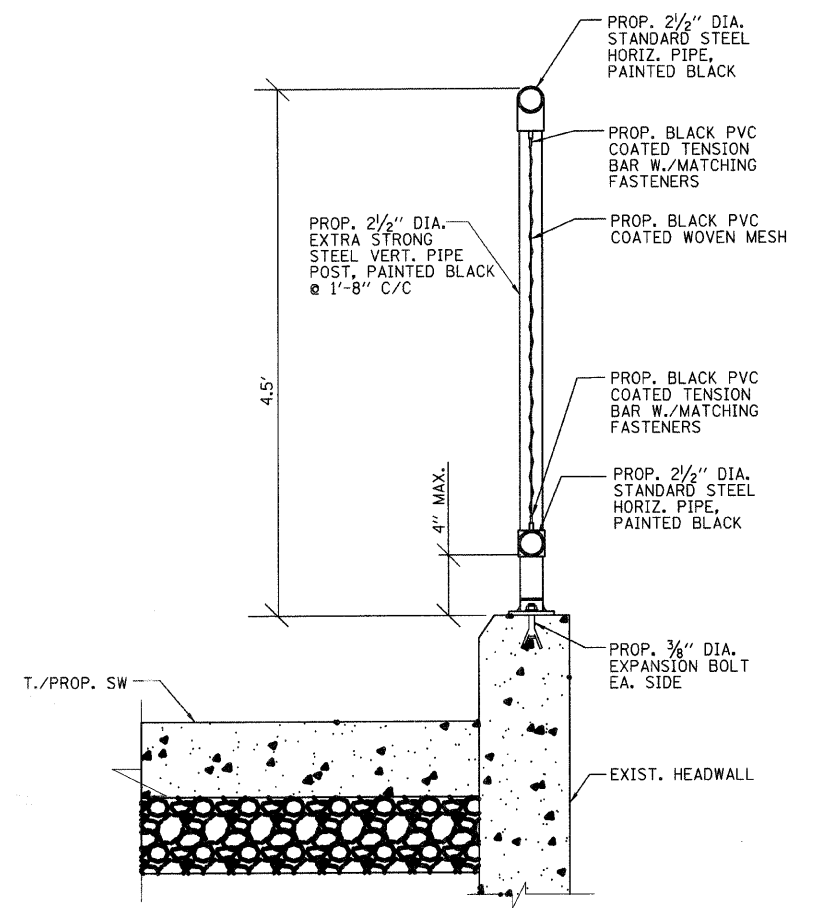
F.A. RTE.	SECTION	COUNTY	TOTAL SHEETS	SHEET NO.
	06-00069-00-BT	COOK	24	14
STA.		TO STA.		
FED. ROAD DIST. NO.		ILLINOIS		

- LEGEND
- ① PORTLAND CEMENT CONCRETE SIDEWALK 5 INCH
 - ② AGGREGATE BASE COURSE, TYPE B 4 IN.
 - ③ THERMOPLASTIC PAVEMENT MARKING - LINE 4 IN.
 - ④ SEEDING, CLASS 1B
 - ⑤
 - ⑥ TOPSOIL, FURNISH AND PLACE 4"



PORTLAND CEMENT CONCRETE SIDEWALK 5 INCH DETAIL

STA 28+36.67 TO STA 29+24.22
 STA 42+37.44 TO STA 44+11.06



PEDESTRIAN RAILING DETAIL

NOTE 1
 FOR EXACT SLOPE, SEE X-SECTIONS, SHTS 14 TO 23

CIVIL / STRUCTURAL ENGINEERS
 GLOBETROTTERS INTERNATIONAL
 300 SOUTH WACKER DRIVE, SUITE 200
 CHICAGO, IL. 60606

REVISIONS	
NAME	DATE
IDOT REVIEW	3-3-09

DETAILS
 PEDESTRIAN / BIKE TRAIL
 HAZEL CREST, IL
 SECTION NO. 06-00069-00-BT

SCALE: VERT. N.T.S.
 DATE 01/14/09
 DRAWN BY L.S.
 CHECKED BY D.W.S.

P:\cad\msv8\pen_tables\idot.tbl Color - Monochrome
 tds600-raster on fs10.plt