
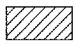
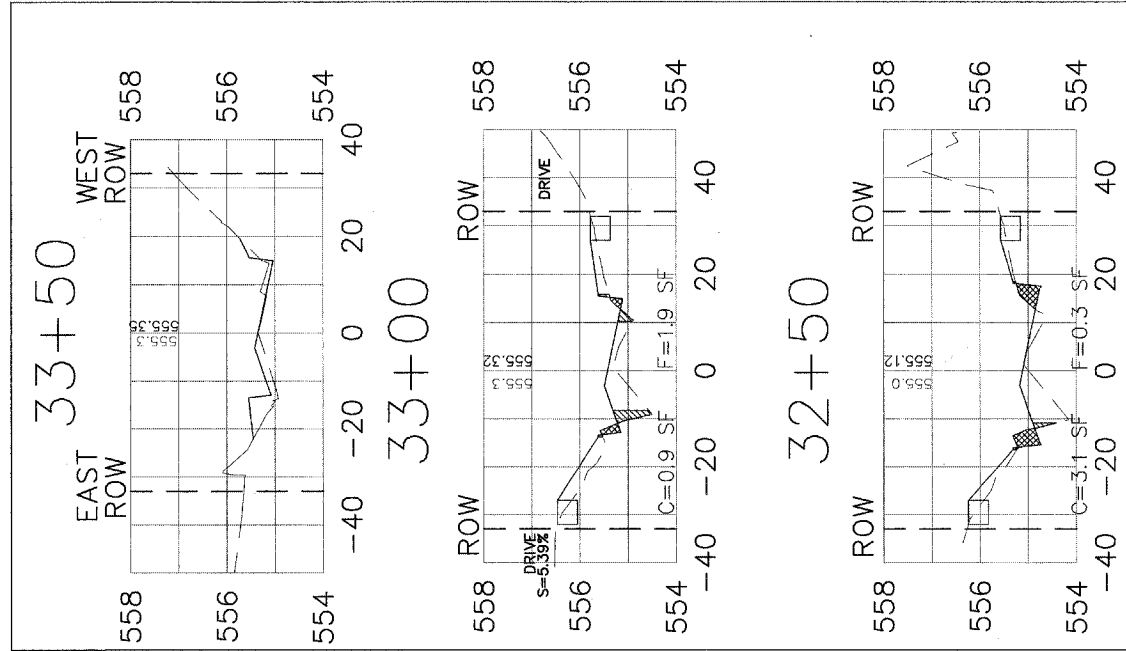
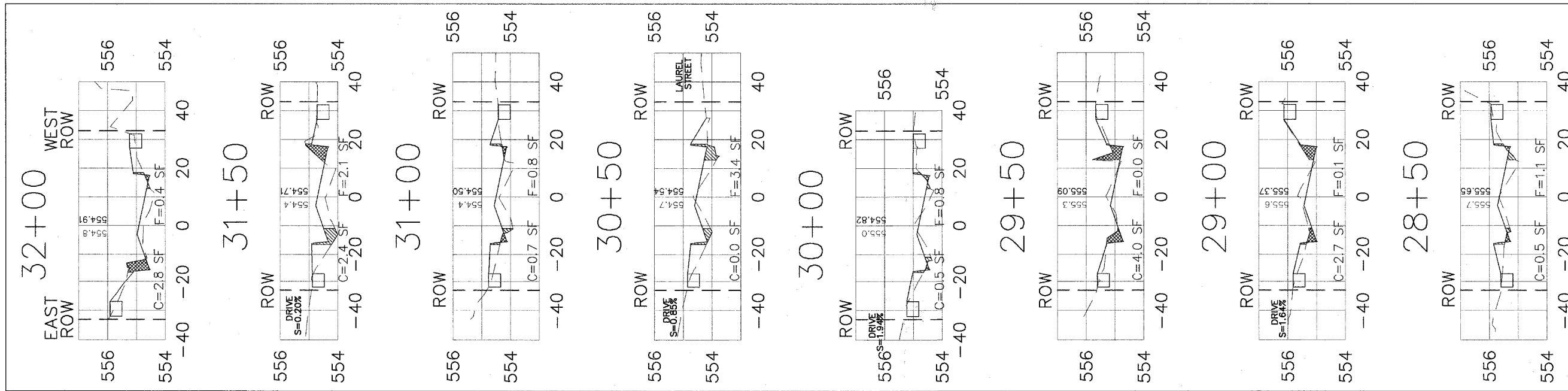


SCALE
H: 1" = 20'
V: 1" = 2'

LEGEND
CUT 
FILL 



REVISIONS	
1	6
2	7
3	8
4	9
5	10

PREPARED BY:
 **ROGINA**
& ASSOCIATES, LTD.
ENGINEERS SURVEYORS PLANNERS
93 Caterpillar Drive - Joliet, Illinois - 815/789-0777 - FAX 815/789-0782

CLIENT:
CITY OF WILMINGTON

PROJECT:
**KANKAKEE STREET
WIDENING**

PROJECT NO:
0101.000481
DESIGNED BY:
A.B.
DATE:
12/15/08
DRAWN BY:
B.C.A.
SCALE:
1" = 20'
CHECKED BY:
R.A.R.

**CROSS SECTIONS
STA. 28+50 - STA. 33+50**