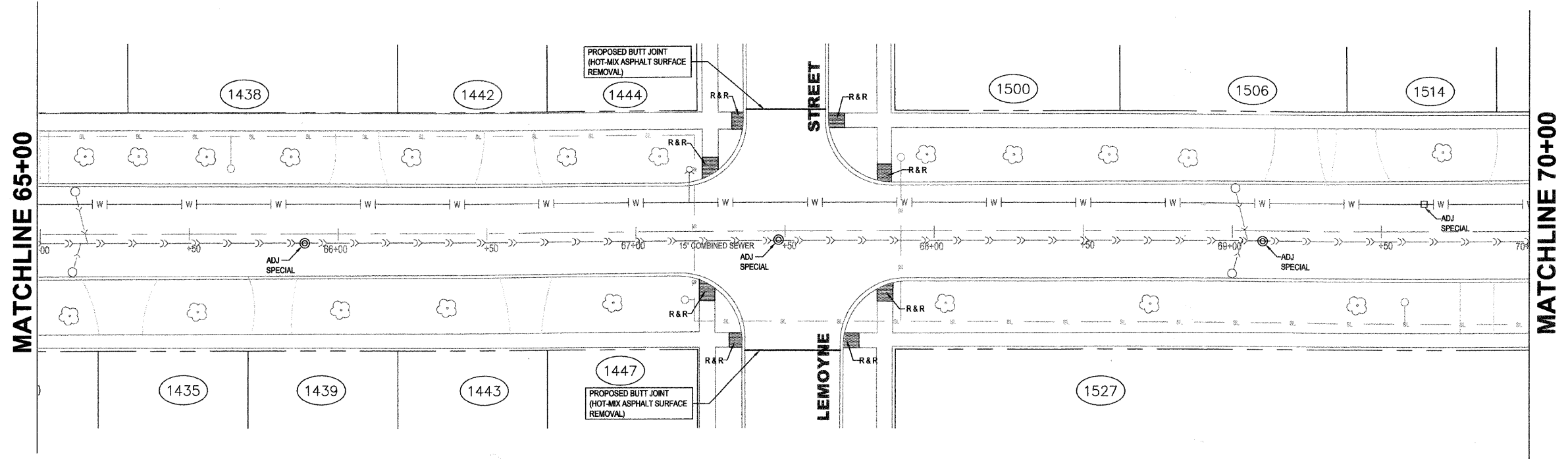
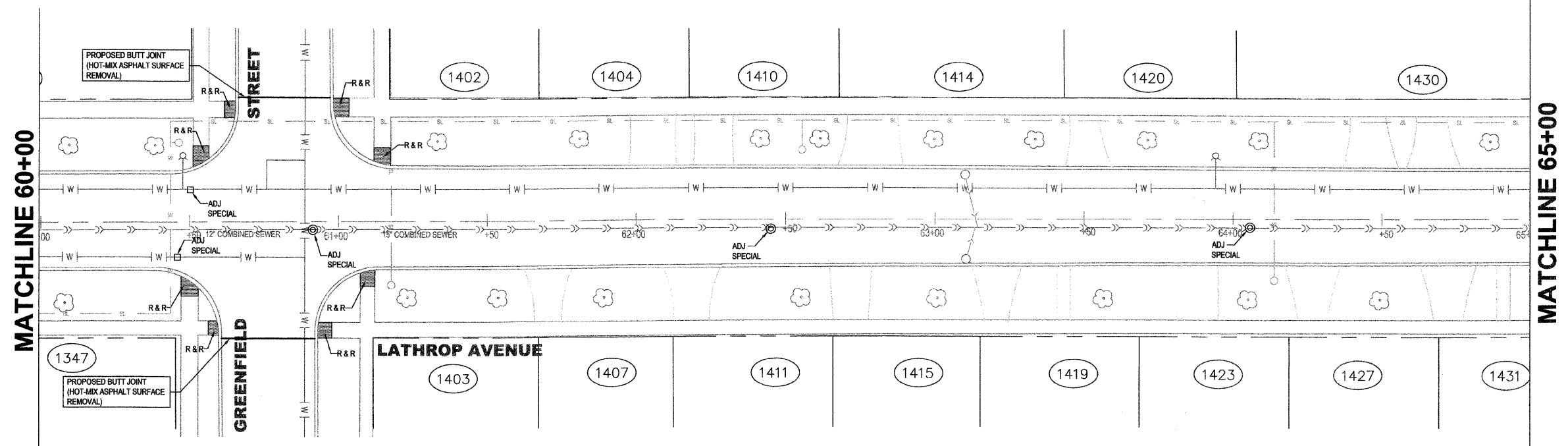




F.A.P. RTE.	SECTION	COUNTY	TOTAL SHEETS	SHEET NO.
2765	08-00088-00-RS	COOK	17	10
FED. ROAD DIST. NO. 1		ILLINOIS		

CONTRACT NO. 63179



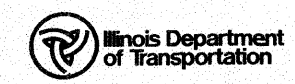
REVISIONS					
DATE	BY	DESCRIPTION	DATE	BY	DESCRIPTION

DESIGNED:	GC
DRAFTED:	GC
CHECKED:	GWK
APPROVED:	GWK DATE: 11/17/08



VILLAGE OF RIVER FOREST
ENGINEERING DEPARTMENT
 400 PARK AVE.
 RIVER FOREST, IL 60305
 (708) 366-8500

TITLE:
 LATHROP AVENUE
 RESURFACING IMPROVEMENTS
 PLANS
 SECTION NO: 08-00088-00-RS



SCALE:	1" = 20'
DATE:	11/17/2008
PROJ. NO.:	4065
SHEET:	10 of 17