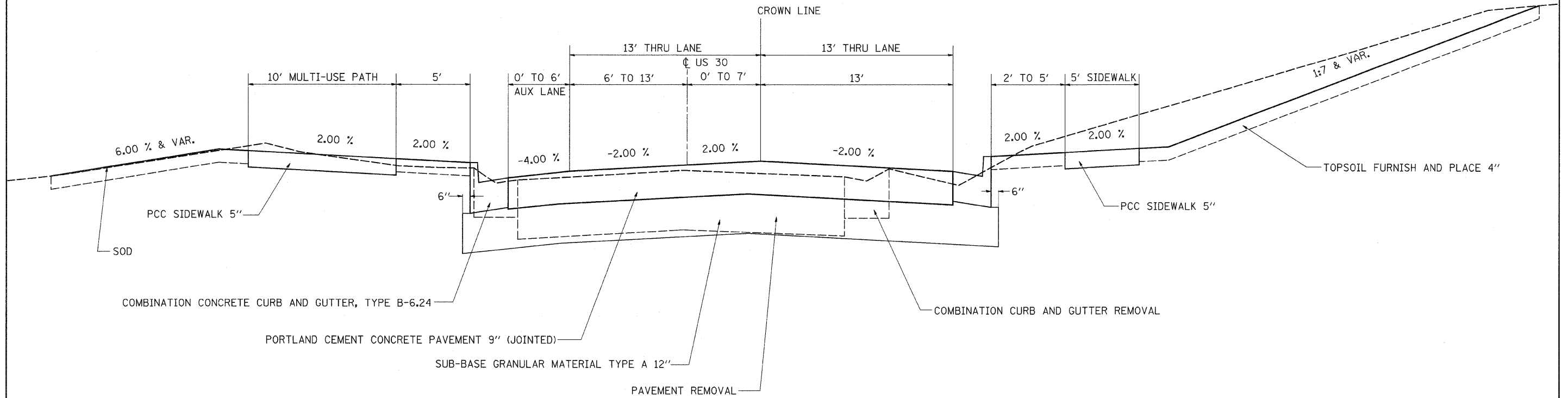
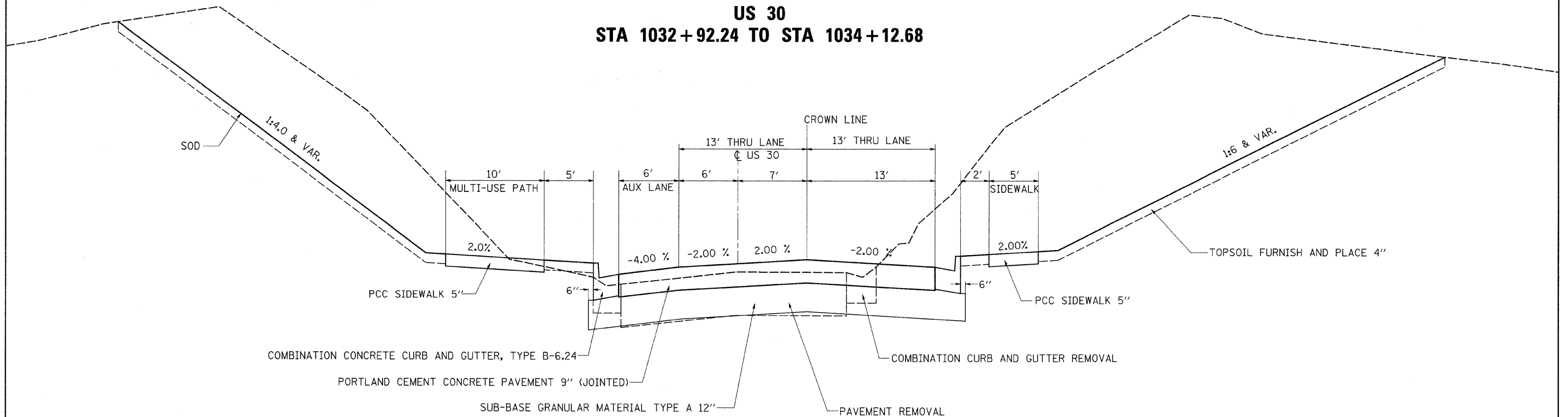


**US 30
STA 1031+30.05 TO STA 1032+92.24**



**US 30
STA 1032+92.24 TO STA 1034+12.68**



FILE NAME =	USER NAME = ditzlerse	DESIGNED -	REVISED -	STATE OF ILLINOIS DEPARTMENT OF TRANSPORTATION	TYPICAL SECTIONS			F.A.P. RTE.	SECTION	COUNTY	TOTAL SHEETS	SHEET NO.
cd:\pwork\pwork\ditzlerse\dms34552\sl3805.tpd.dgn	PLOT SCALE = 50.0000' / IN.	DRAWN -	REVISED -					309	(17R)B	WHITESIDE	376	9
PLOT DATE = Fri Mar 13 08:49:27 2009	DATE -	CHECKED -	REVISED -		SCALE: SHEET NO. OF SHEETS STA. TO STA.			CONTRACT NO. 64B74				
		DATE -	REVISED -		ILLINOIS FED. AID PROJECT							