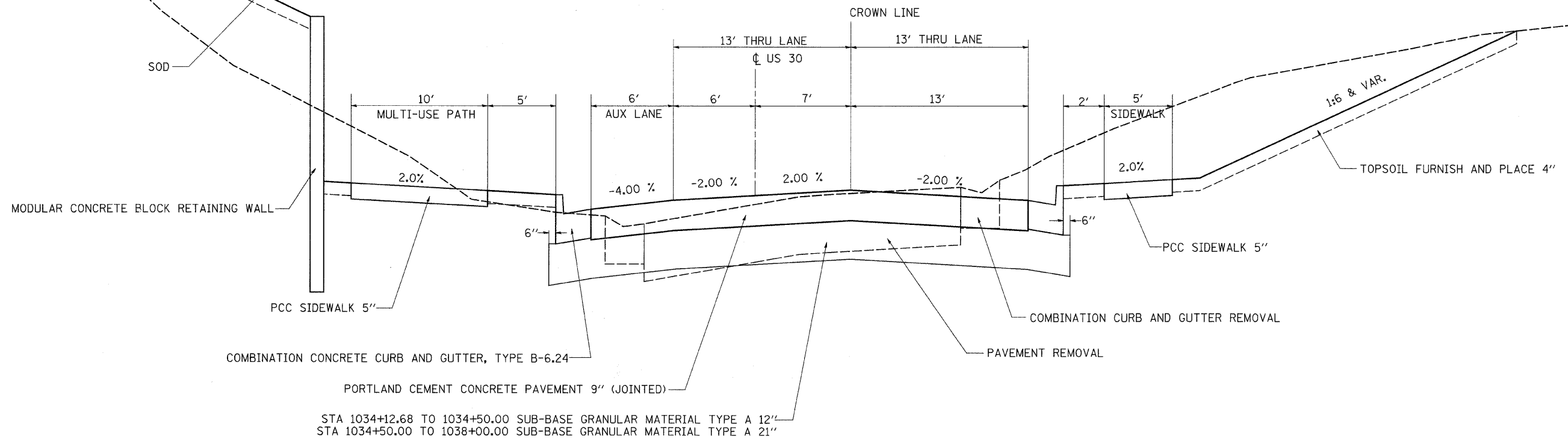
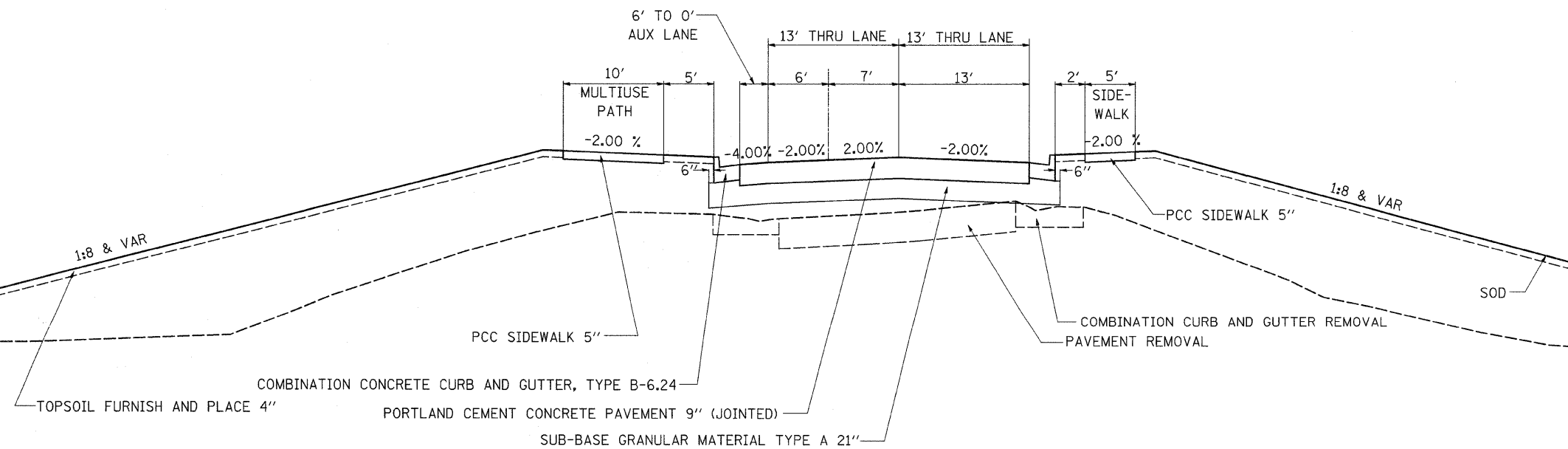


**US 30  
STA 1034+12.68 TO STA 1035+37.33**



**US 30  
STA 1035+37.33 TO STA 1036+87.27**



|  |                       |            |   |   |                         |  |  |                    |           |        |              |           |
|--|-----------------------|------------|---|---|-------------------------|--|--|--------------------|-----------|--------|--------------|-----------|
| FILE NAME =  | USER NAME = ditzlerse | DESIGNED - | REVISED -                               | <b>STATE OF ILLINOIS<br/>DEPARTMENT OF TRANSPORTATION</b> | <b>TYPICAL SECTIONS</b> |  |  | F.A.P. RTE.        | SECTION   | COUNTY | TOTAL SHEETS | SHEET NO. |
| ct:\pwork\pwi\dot\ditzlerse\dms34552\st1385typ.dgn | DRAWN -               | REVISED -  | 309                                     |   |                         |  |  | (17R)B             | WHITESIDE | 376    | 10           |           |
| PLOT SCALE = 50.0000 ' / IN.                       | CHECKED -             | REVISED -  | SCALE: SHEET NO. OF SHEETS STA. TO STA. |   |                         |  |  | CONTRACT NO. 64B74 |           |        |              |           |
| PLOT DATE = Fri Mar 13 08:49:28 2009               | DATE -                | REVISED -  | ILLINOIS FED. AID PROJECT               |   |                         |  |  |                    |           |        |              |           |