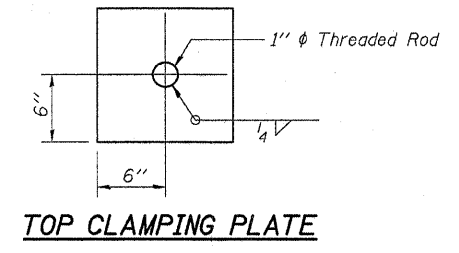
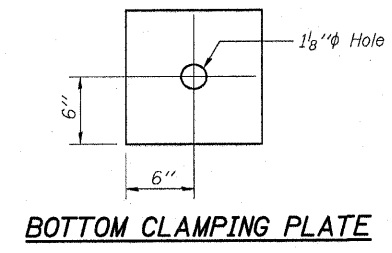
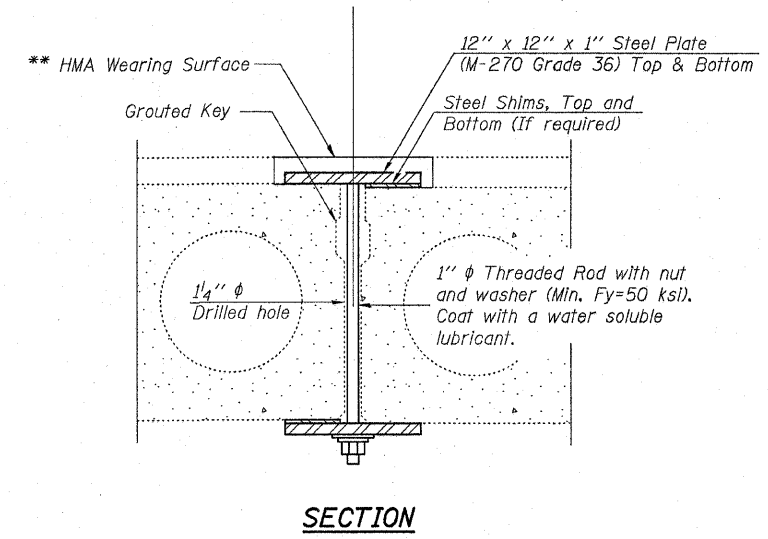
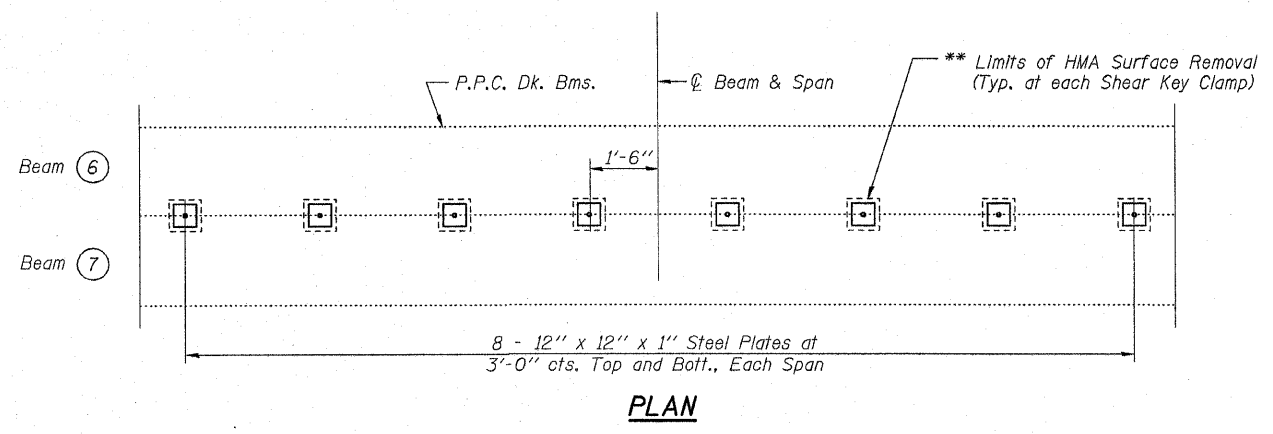


STATE OF ILLINOIS
DEPARTMENT OF TRANSPORTATION

Sheet R8 of R9

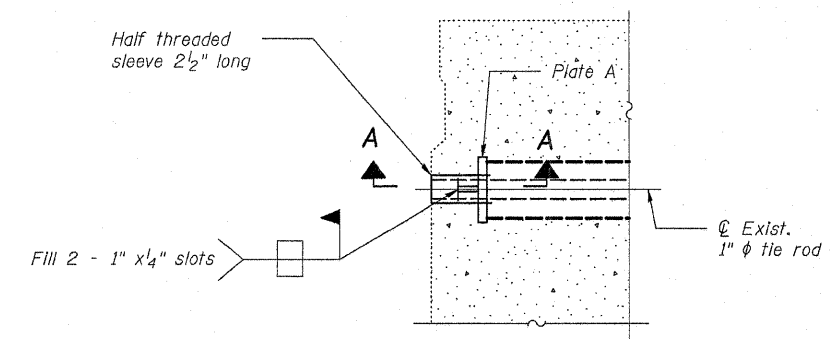
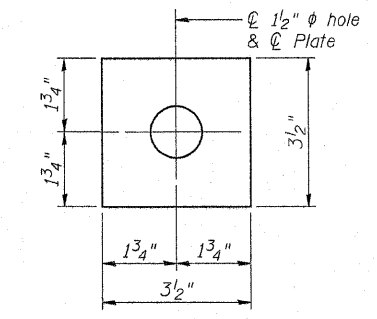
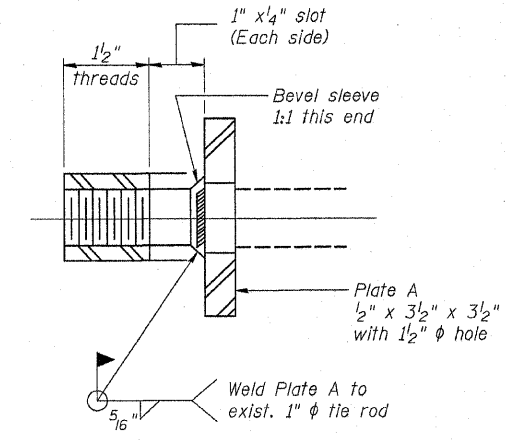
F.A.P. RTE.	SECTION	COUNTY	TOTAL SHEETS	SHEET NO.
309	17B-1	WHITESIDE	376	49
FED. ROAD DIST. NO. 2		ILLINOIS FED. AID PROJECT		

Contract #64B74



SHEAR KEY CLAMPING DETAIL

** 16"x 16"± square area of HMA Surface shall be removed for the installation of Shear Key Clamps at the locations specified. After the installation of Shear Key Clamps, these areas shall be backfilled with HMA wearing surface flush with the adjacent pavement. The cost of Shear Key Clamps and their installation at the specified locations shall not be paid for separately but shall be included in the unit bid price for Hot-Mix Asphalt Surface Removal.



TIE ROD CONNECTION DETAIL

q:\g\glooglu\Struct\3/10/2009 3:54:48 PM
 c:\pdr\20608.015\work order #10 tsa 30 repair plans\drawings\structure\repair\details.dgn



REPAIR DETAILS

U.S. RTE. 30/IL RTE. 78 OVER ROCK CREEK
 F.A.P. ROUTE 309, SECTION 17B-1
 WHITESIDE COUNTY
 STATION 1037+69.16
 STRUCTURE NO. 098-0053

DATE: March 10, 2009
 DRAWN BY: D. Schettler
 CHECKED BY: A. Yarglooglu