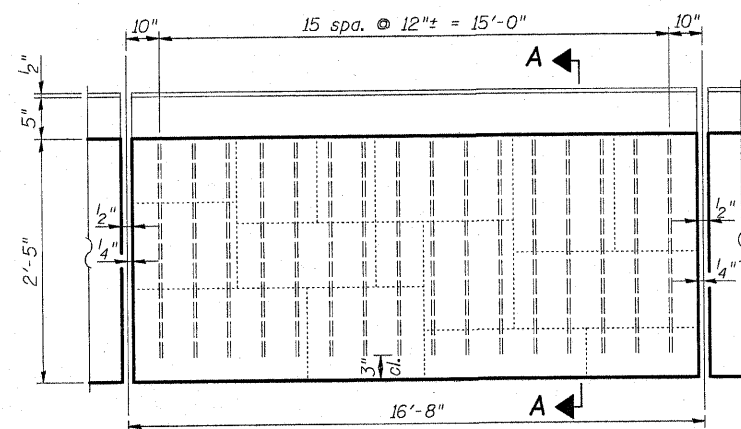
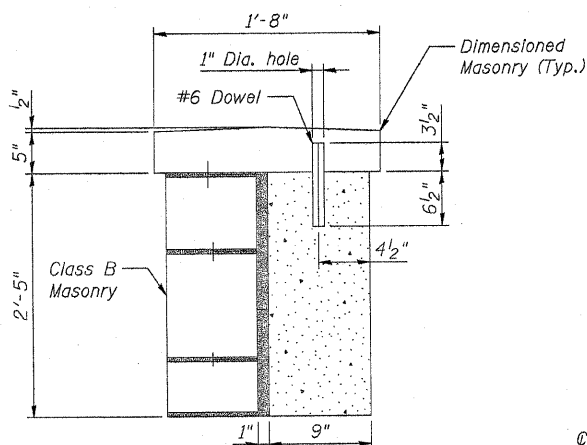


F.A.P. RTE.	SECTION	COUNTY	TOTAL SHEETS	SHEET NO.
309	(17R)B	WHITESIDE	376	62
FED. ROAD DIST. NO. 2		ILLINOIS	FED. AID PROJECT	

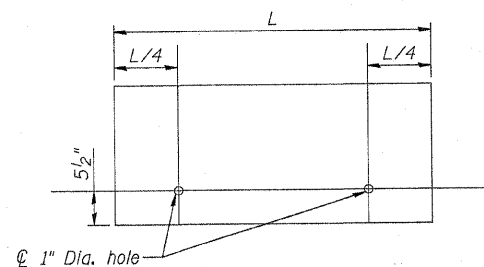
STATE OF ILLINOIS
DEPARTMENT OF TRANSPORTATION



AT BRIDGE PARAPET INTERIOR PANELS



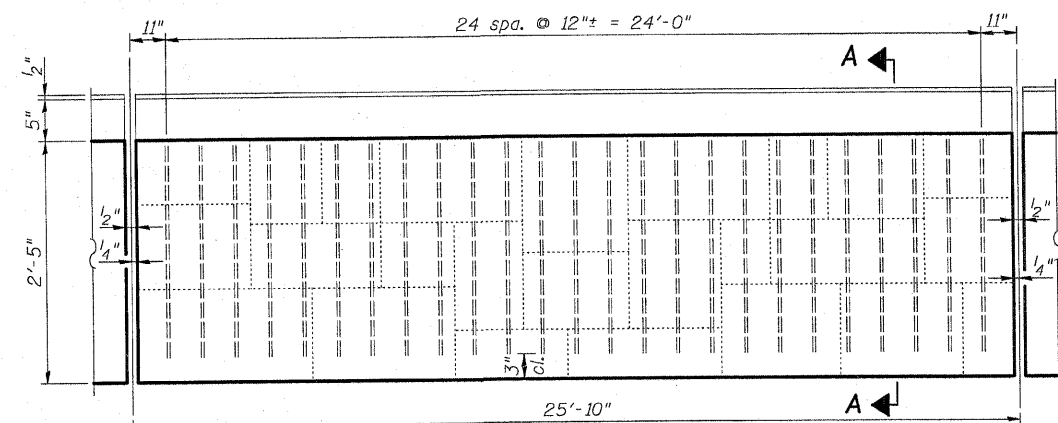
SECTION A-A



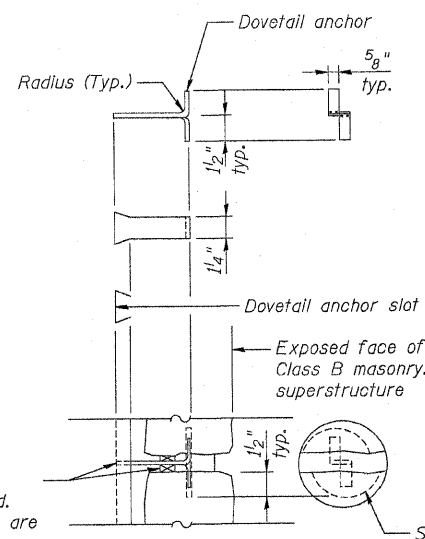
CAP STONE DETAIL

Notes:
Dowel holes in cap stones shall be drilled by the fabricator. Care shall be taken so that cap stones are not damaged when dowel holes are drilled. Cap stones shall be fabricated in 2'-0" to 3'-6" lengths (L), and shall be laid in a random pattern. Each cap stone shall be anchored with 2-#6 dowels which shall be located at the quarter point from each end. Dowels shall be anchored with the "KELIGROUT" epoxy grout system or an approved equal. #6 Dowels, Dovetail Anchors, and grout system will not be paid for separately but shall be included in the unit bid price for Stone Masonry Facing.

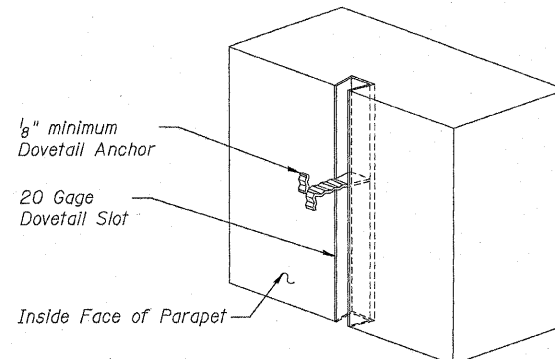
The Contractor shall coordinate the cap stone arrangement with Decorative Railing and anchorage details shown elsewhere in Plan Set.



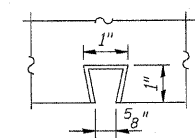
AT BRIDGE PARAPET END PANELS



SUPERSTRUCTURE DOVETAIL DETAIL

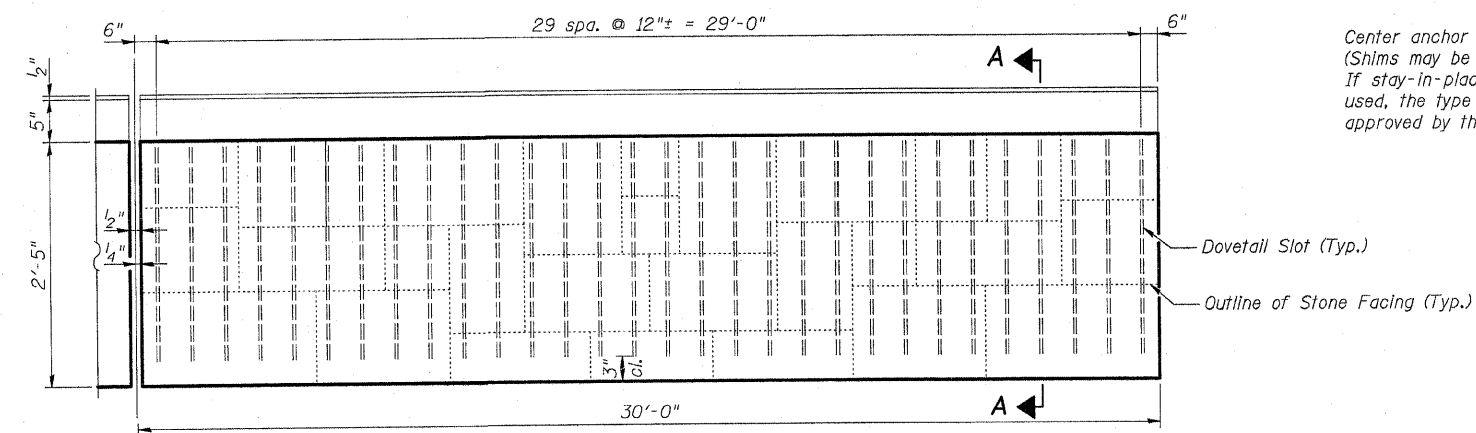


TYPICAL DOVETAIL ANCHOR DETAIL



TYPICAL DOVETAIL DETAIL

Center anchor in joint (Shims may be required. If stay-in-place shims are used, the type is to be approved by the Engineer.)



AT APPROACH SLAB PARAPET

BALTIMORE WASHINGTON PARAPET DOVETAIL ANCHOR SLOT LOCATIONS

TOTAL BILL OF MATERIAL

ITEM	UNIT	TOTAL
Stone Masonry Facing	Foot	390

MASONRY DETAILS
U.S. RTE. 30/IL RTE. 78 OVER ROCK CREEK
F.A.P. ROUTE 309, SECTION (17R)B
WHITESIDE COUNTY
STATION 1037+84.35
STRUCTURE NO. 098-0113
DATE: December 18, 2008
DRAWN BY: D. Schettler
CHECKED BY: A. Yangloogu

n:\file\dot\2008\08\work_order\11130308\over_rock_creek\drawings\struct\02-Masonry_Details.dgn
 12/17/2008 12:28:00 PM
 C:\Program Files\Autodesk\Structural\2008\12/17/2008

