

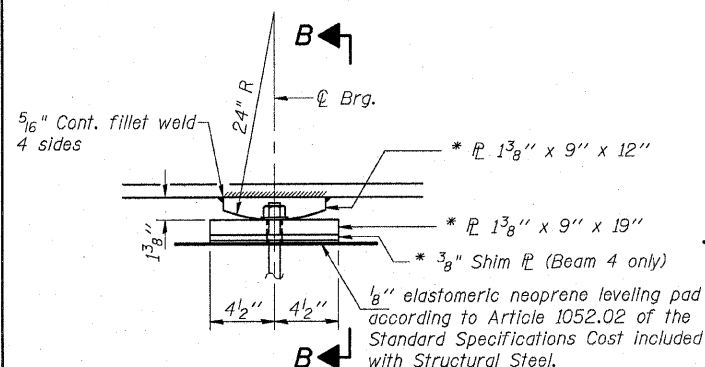
STATE OF ILLINOIS
DEPARTMENT OF TRANSPORTATION

Sheet S15 of S25

F.A.P. RTE. NO.	SECTION	COUNTY	TOTAL SHEETS	SHEET NO.
309	117B/B	WHITESIDE	376	65
FED. ROAD DIST. NO. 2 ILLINOIS FED. AID PROJECT			Contract #64B74	

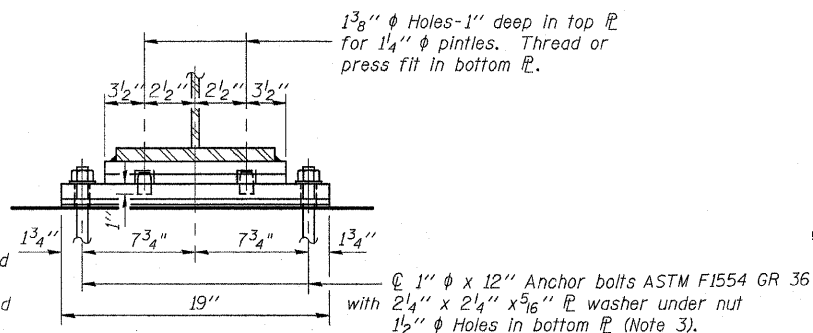
Notes:

- Two 1/8 in. adjusting shims shall be provided for each bearing in addition to all other plates or shims and placed as shown on bearing details.
- Load carrying components designated "NTR" shall conform to the Supplemental Requirements for Notch Toughness, Zone 2.
- Anchor bolts shall be ASTM F1554 all-thread (or an Engineer-approved alternate material) of the grade(s) and diameter(s) specified. ASTM A307 Grade C anchor bolts may be used in lieu of ASTM F1554 Grade 36 (Fy=36ksi). The corresponding specified grade of AASHTO M314 anchor bolts may be used in lieu of ASTM F1554. Contractor has the option of cast in place or drilled installation. Drilled and set anchor bolts shall be installed according to Article 521.06 of the Standard Specifications.

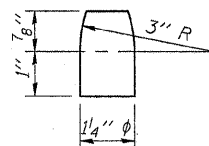


ELEVATION AT PIER

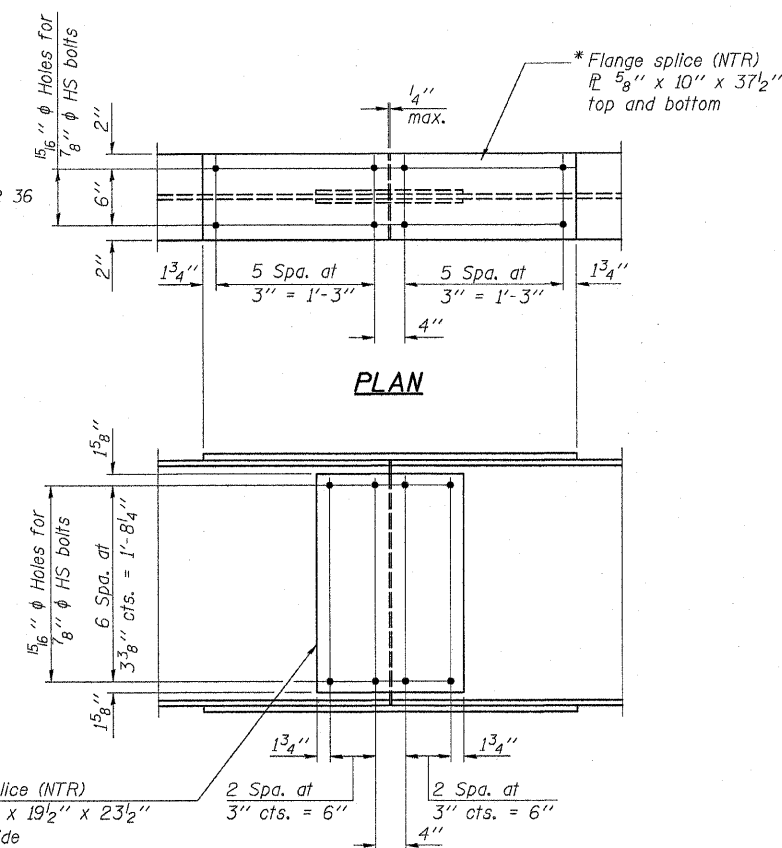
FIXED BEARING



SECTION B-B



PINTLE

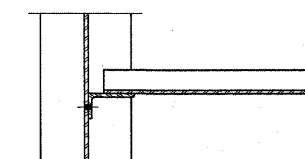


PLAN

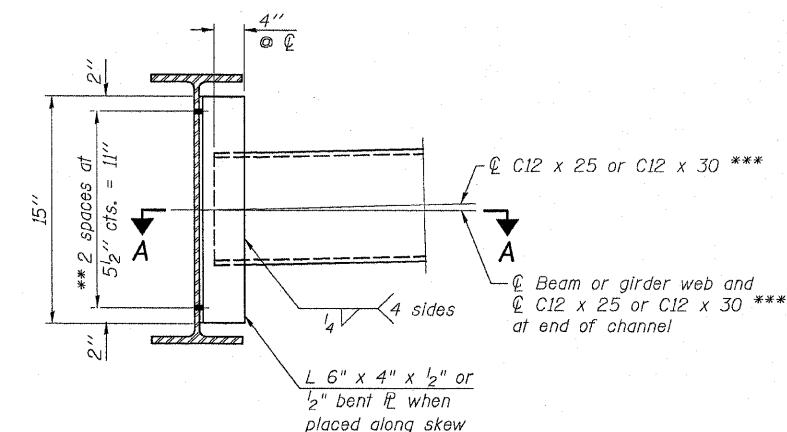
ELEVATION

SPLICE DETAIL
(1 Each Required per Beam)

* Web splice (NTR)
PL 7/16" x 19 1/2" x 23 1/2"
each side



SECTION A-A



INTERIOR DIAPHRAGM

Note:
Two hardened washers required for each set of oversized holes.

** 3/4" φ HS bolts, 15/16" φ holes

*** Alternate channels are permitted to facilitate material acquisition. Calculated weight of structural steel is based on the lighter section. The alternate, if utilized, shall be provided at no extra cost.

* M270 Grade 50

n:\isla\ydr\20608_005\work_order#\us 30 over rock creek\drawing\struct\14-15-Framing.dgn
 12/17/2008 12:28:11 PM
 ovg:glcoglus\struct

PATRICK
ENGINEERING INC.
LISLE, ILLINOIS

BILL OF MATERIALS

ITEM	UNIT	TOTAL
Furnishing and Erecting Structural Steel	L. Sum	1
Stud Shear Connectors	Ea.	2,520
Anchor Bolts, 1"	Ea.	56

FRAMING DETAILS

U.S. RTE. 30/IL RTE. 78 OVER ROCK CREEK
F.A.P. ROUTE 309, SECTION (17R)B
WHITESIDE COUNTY
STATION 1037+84.35
STRUCTURE NO. 098-0113

DATE: December 18, 2008
DRAWN BY: D. Schettler
CHECKED BY: A. Yargioaglu