

STATE OF ILLINOIS
DEPARTMENT OF TRANSPORTATION

Sheet S21 of S25

F.A.P. RTE.	SECTION	COUNTY	TOTAL SHEETS	SHEET NO.
309	117B	WHITESIDE	376	71
FED. ROAD DIST. NO. 2 ILLINOIS FED. AID PROJECT			Contract #64B74	

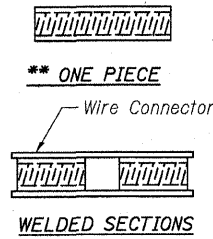
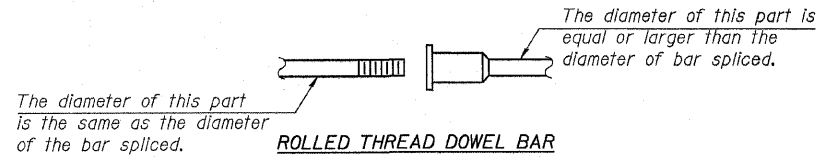
NOTES

Bar splicer assemblies shall be of an approved type and shall develop in tension at least 125 percent of the yield strength of the lapped reinforcement bars.
Splicer rods shall be of minimum 60 ksi yield strength, threaded or coiled full length.
All reinforcement bars shall be lapped and tied to the splicer rods or dowel bars.
Bar splicer assemblies shall be epoxy coated according to the requirements for reinforcement bars.
Other systems of similar design may be submitted to the Engineer for approval. Approval shall be based on certified test results from an approved testing laboratory that the proposed bar splicer assembly satisfies the following requirements:

- ① Minimum Capacity = $1.25 \times f_y \times A_t$
(Tension in kips)
- ② Minimum *Pull-out Strength = $0.66 \times f_y \times A_t$
(Tension in kips)

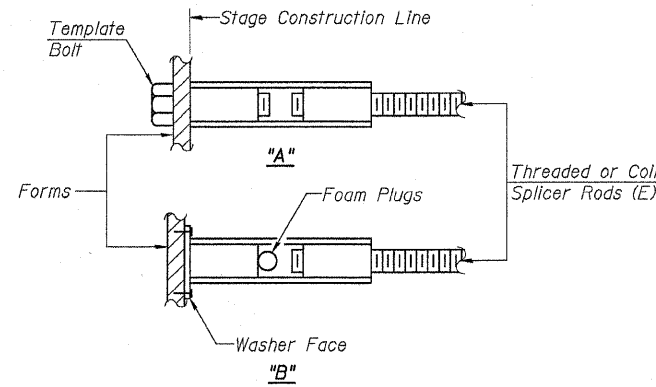
Where f_y = Yield strength of lapped reinforcement bars in ksi.
 A_t = Tensile stress area of lapped reinforcement bars.
* = 28 day concrete

Bar Size to be Spliced	Splicer Rod or Dowel Bar Length	Strength Requirements	
		Min. Capacity kips - tension	Min. Pull-Out Strength kips - tension
#4	1'-8"	14.7	7.9
#5	2'-2"	23.0	12.3
#6	2'-7"	33.1	17.4
#7	3'-5"	45.1	23.8
#8	4'-6"	58.9	31.3
#9	5'-9"	75.0	39.6
#10	7'-3"	95.0	50.3
#11	9'-0"	117.4	61.8



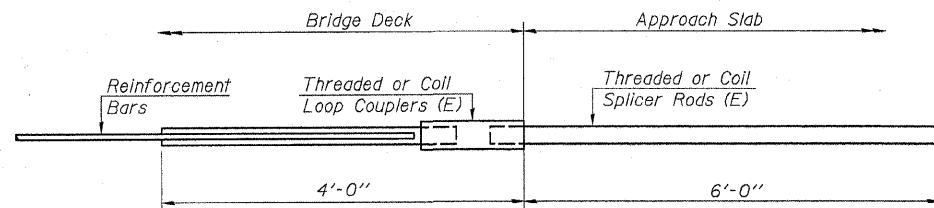
BAR SPLICER ASSEMBLY ALTERNATIVES

**Heavy Hex Nuts conforming to ASTM A 563, Grade C, D or DH may be used.



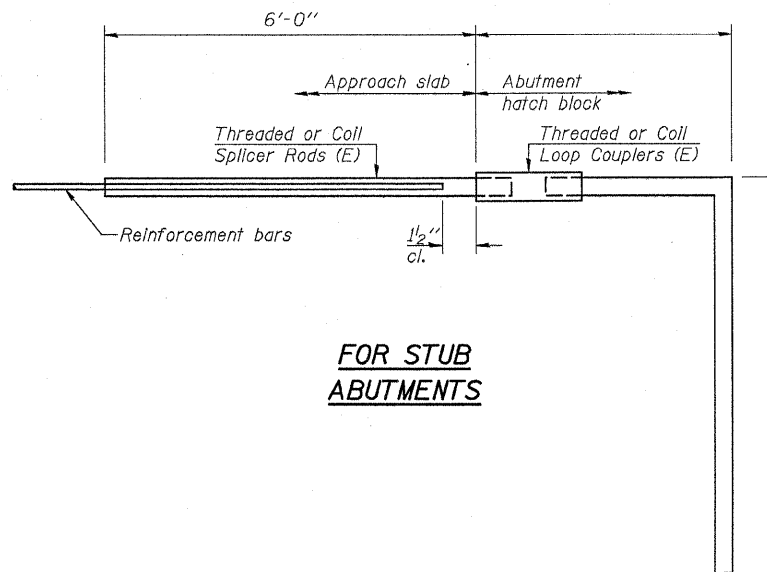
INSTALLATION AND SETTING METHODS

"A" : Set bar splicer assembly by means of a template bolt.
"B" : Set bar splicer assembly by nailing to wood forms or cementing to steel forms.
(E) : Indicates epoxy coating.



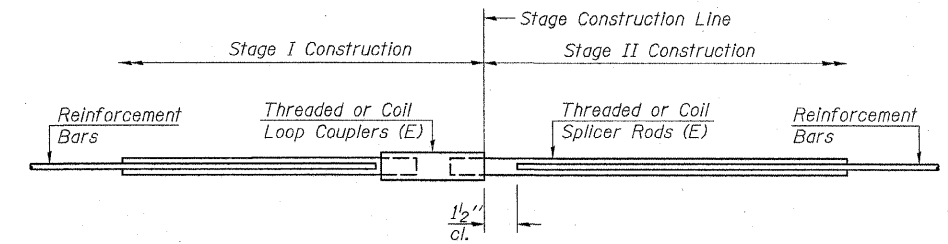
FOR INTEGRAL OR SEMI-INTEGRAL ABUTMENTS

Bar Splicer for #5 bar
Min. Capacity = 23.0 kips - tension
Min. Pull-out Strength = 12.3 kips - tension
No. Required = 104



FOR STUB ABUTMENTS

Bar Splicer for #5 bar
Min. Capacity = 23.0 kips - tension
Min. Pull-out Strength = 12.3 kips - tension
No. Required = 0



STANDARD

Bar Size	No. Assemblies Required	Location
#5	473	Deck
#5	34	Pier 1
#5	34	Pier 2
#6	16	Abut. Diaphragms
#7	8	W. Abut.
#7	8	E. Abut.
#7	7	Pier 1
#7	7	Pier 2

BAR SPLICER ASSEMBLY DETAILS

U.S. RTE. 30/IL RTE. 78 OVER ROCK CREEK
F.A.P. ROUTE 309, SECTION (17R)B
WHITESIDE COUNTY
STATION 1037+84.35
STRUCTURE NO. 098-0113

DATE: December 18, 2008
DRAWN BY: D. Schettler
CHECKED BY: A. Yargoglu