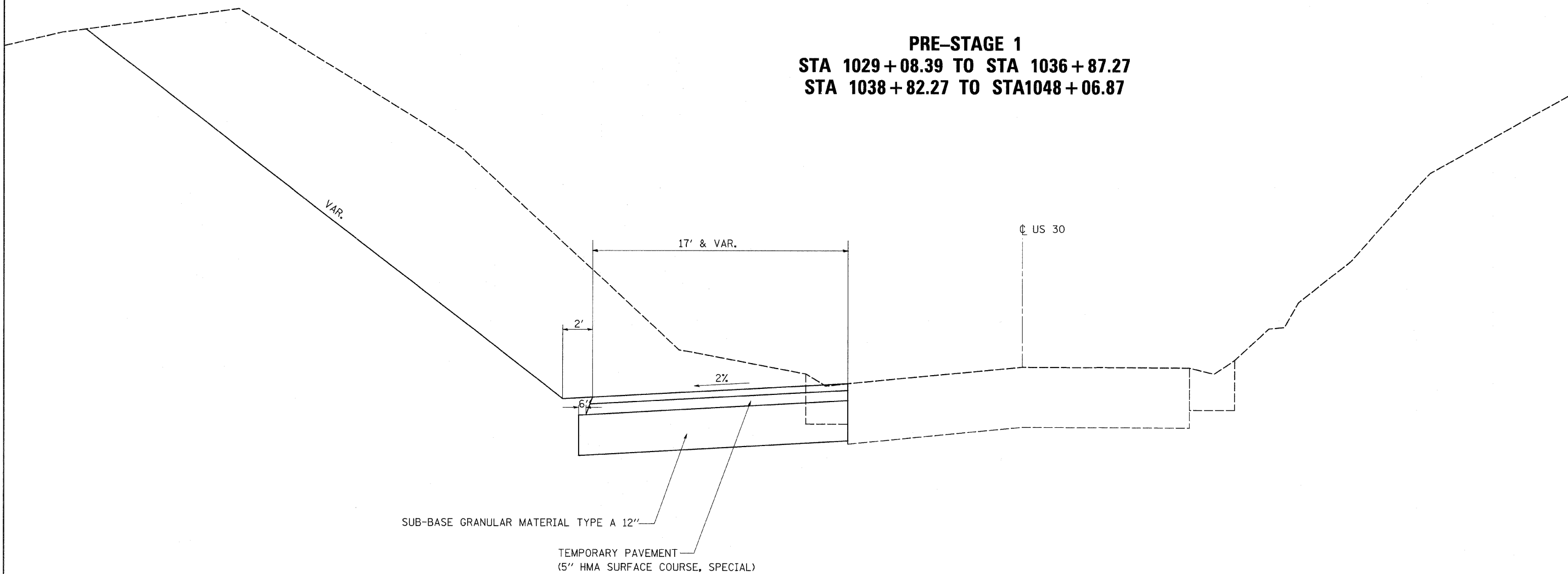


PRE-STAGE 1
STA 1029+08.39 TO STA 1036+87.27
STA 1038+82.27 TO STA1048+06.87



SUB-BASE GRANULAR MATERIAL TYPE A 12"
 TEMPORARY PAVEMENT
 (5" HMA SURFACE COURSE, SPECIAL)

FILE NAME =	USER NAME = dtzlerse	DESIGNED -	REVISED -	STATE OF ILLINOIS DEPARTMENT OF TRANSPORTATION	STAGING TYPICAL SECTIONS				F.A.P. RTE.	SECTION	COUNTY	TOTAL SHEETS	SHEET NO.
cr\p\work\p\wido\dtzlerse\dms34552\sl305typ.dgn		DRAWN -	REVISED -						309	(17)B	WHITESIDE	376	84
PLOT SCALE = 50.0000' / IN.		CHECKED -	REVISED -		CONTRACT NO. 64B74								
PLOT DATE = Fri Mar 13 08:49:28 2009		DATE -	REVISED -		ILLINOIS FED. AID PROJECT								
				SCALE:	SHEET NO.	OF	SHEETS	STA.	TO STA.				