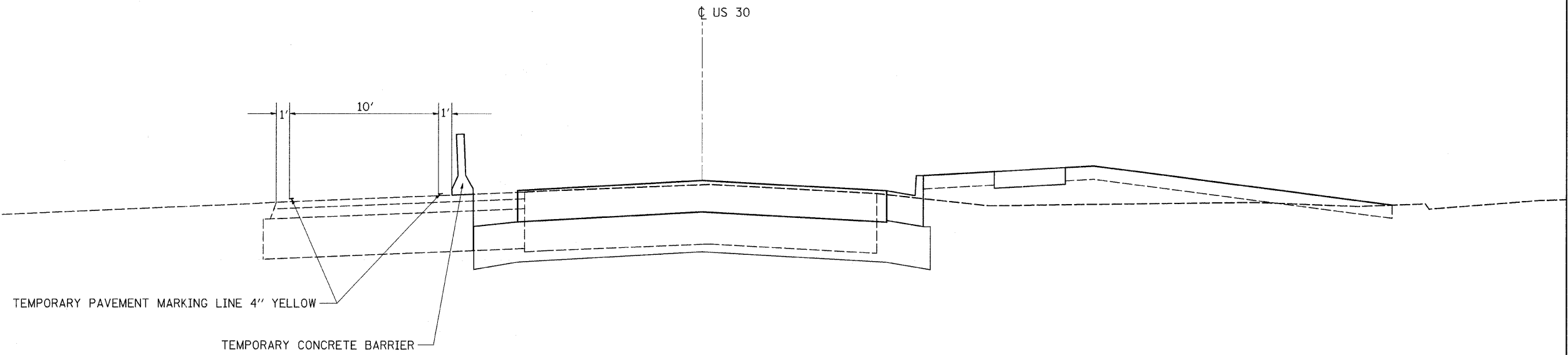


**STAGE 2**  
**STA 1038+82.27 TO STA 1046+62.00**



FILE NAME =	USER NAME = ditzlerse	DESIGNED -	REVISED -	<b>STATE OF ILLINOIS</b> <b>DEPARTMENT OF TRANSPORTATION</b>	<b>STAGING TYPICAL SECTIONS</b>				F.A.P. RTE.	SECTION	COUNTY	TOTAL SHEETS	SHEET NO.
ct\pw_work\pw\dot\ditzlerse\dms34552\st1305.tpd	DRAWN -	REVISED -	REVISED -						309	(17R)B	WHITESIDE	376	87
PLOT SCALE = 50.0000' / IN.	CHECKED -	REVISED -	REVISED -		CONTRACT NO. 64B74								
PLOT DATE = Fri Mar 13 08:49:29 2009	DATE -	REVISED -	REVISED -		SCALE:	SHEET NO.	OF SHEETS	STA.	TO STA.	ILLINOIS FED. AID PROJECT			