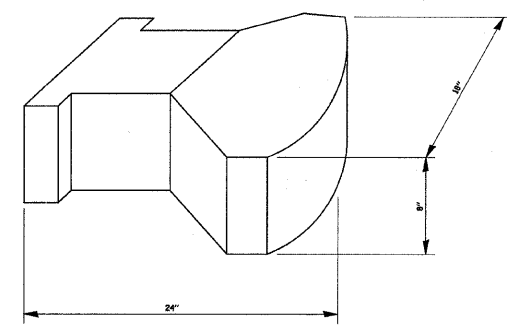
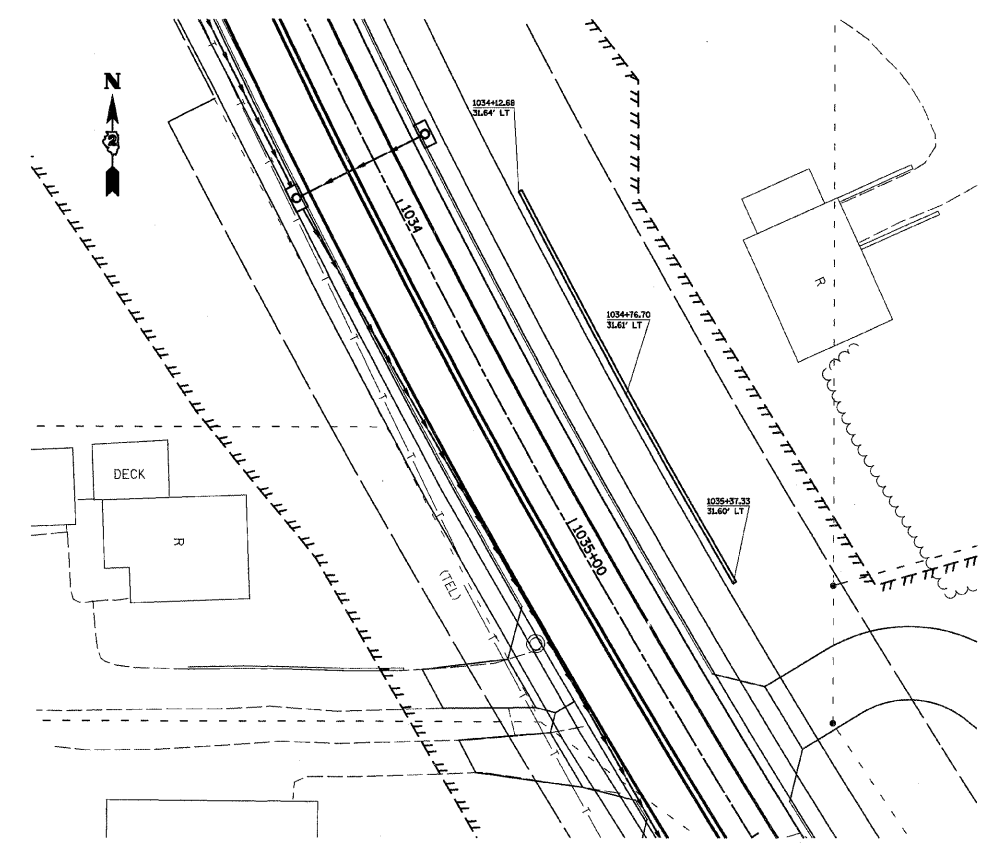
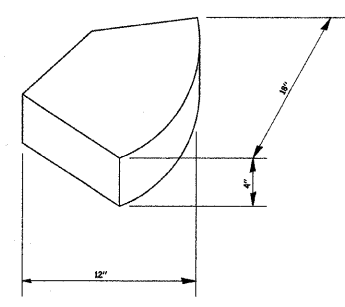


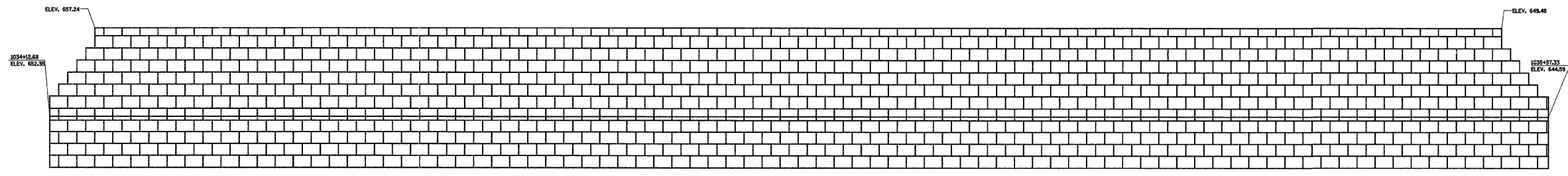
TYPICAL WALL SECTION



STANDARD UNIT



CAP UNIT



FILE NAME =	USER NAME = ditzlerse	DESIGNED -	REVISED -	<b>STATE OF ILLINOIS DEPARTMENT OF TRANSPORTATION</b>	<b>SEGMENTAL BLOCK WALL DETAIL</b>			F.A.P. RTE.	SECTION	COUNTY	TOTAL SHEETS	SHEET NO.
c:\pwwork\pwi\dot\ditzlerse\dms34952\d1305apl.dgn	PLOT SCALE = 50.0000' / IN.	DRAWN -	REVISED -					309	(17R)B	WHITESIDE	376	118
	PLOT DATE = Fri Mar 13 08:48:21 2009	CHECKED -	REVISED -		SCALE: SHEET NO. OF SHEETS STA. TO STA.			CONTRACT NO. 64B74				
		DATE -	REVISED -		ILLINOIS FED. AID PROJECT							