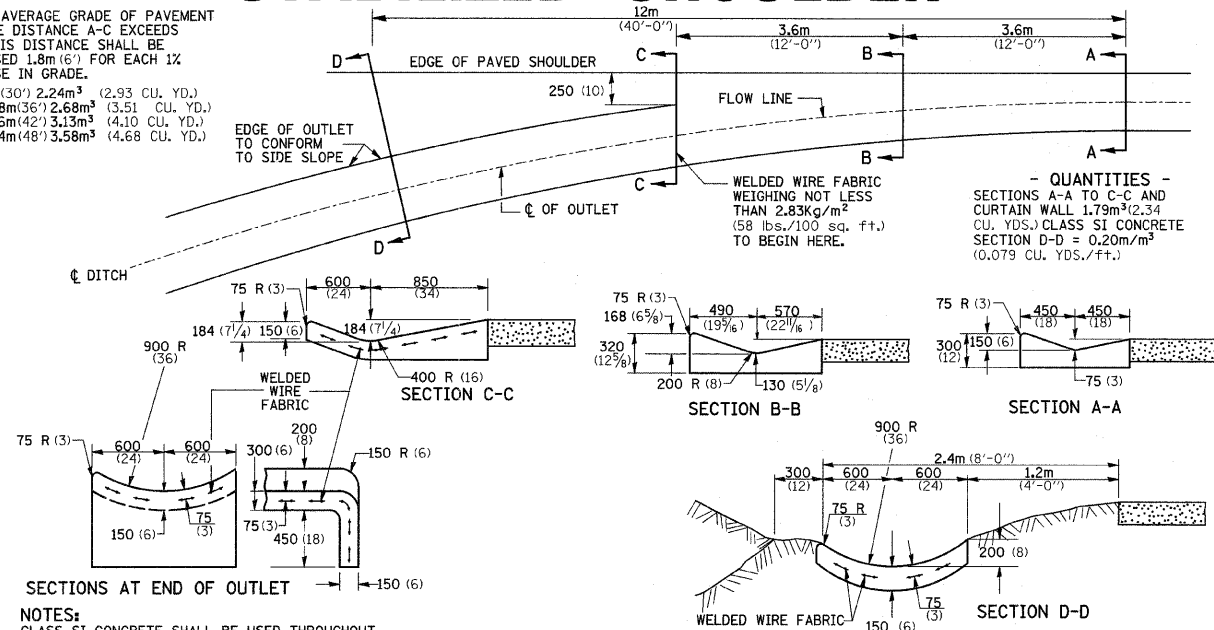


# GUTTER OUTLET ADJACENT TO STABILIZED SHOULDER

**NOTE:**  
IF THE AVERAGE GRADE OF PAVEMENT FOR THE DISTANCE A-C EXCEEDS 2%, THIS DISTANCE SHALL BE INCREASED 1.8m (6') FOR EACH 1% INCREASE IN GRADE.

3 ½ 9m (30') 2.24m<sup>3</sup> (2.93 CU. YD.)  
4 ½ 10.8m (36') 2.68m<sup>3</sup> (3.51 CU. YD.)  
5 ½ 12.6m (42') 3.15m<sup>3</sup> (4.10 CU. YD.)  
6 ½ 14.4m (48') 3.58m<sup>3</sup> (4.68 CU. YD.)



**QUANTITIES -**  
SECTIONS A-A TO C-C AND CURTAIN WALL 1.79m<sup>2</sup> (2.34 CU. YDS.) CLASS SI CONCRETE  
SECTION D-D = 0.20m<sup>2</sup> (0.079 CU. YDS./FF.)

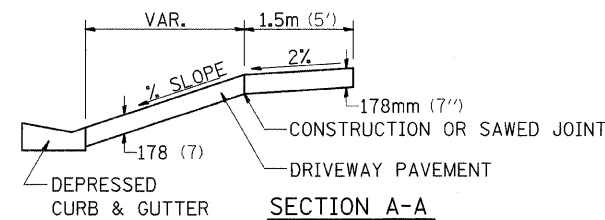
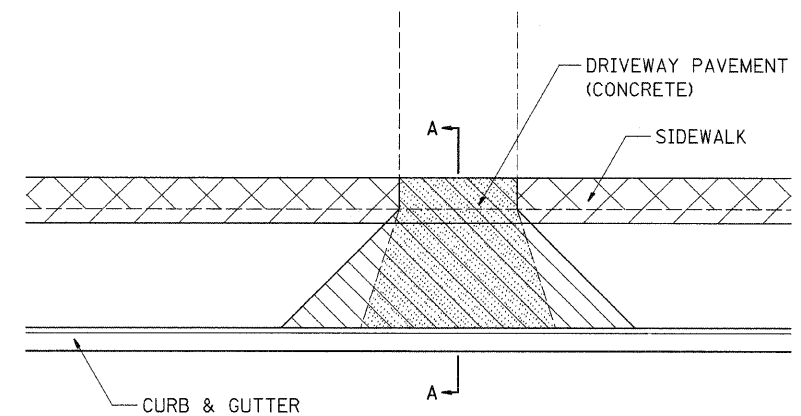
**NOTES:**  
CLASS SI CONCRETE SHALL BE USED THROUGHOUT. THE GUTTER OUTLET WILL BE PAID FOR AT THE CONTRACT UNIT PRICE PER M<sup>2</sup> FOR CLASS SI CONCRETE (OUTLETS), WHICH PRICE SHALL INCLUDE THE COST OF THE WELDED WIRE FABRIC REINFORCEMENT

REVISED - 5-4-94

**GUTTER OUTLET ADJACENT TO STABILIZED SHOULDER 15.4**

# SIDEWALK AND DRIVEWAY PAVEMENT PAY AREAS

- PAY FOR AS**
- SIDEWALK REMOVAL
  - DRIVEWAY PAVEMENT REMOVAL
  - PCC SIDEWALK 127 (5)
  - PCC DRIVEWAY PAVEMENT 178 (7)



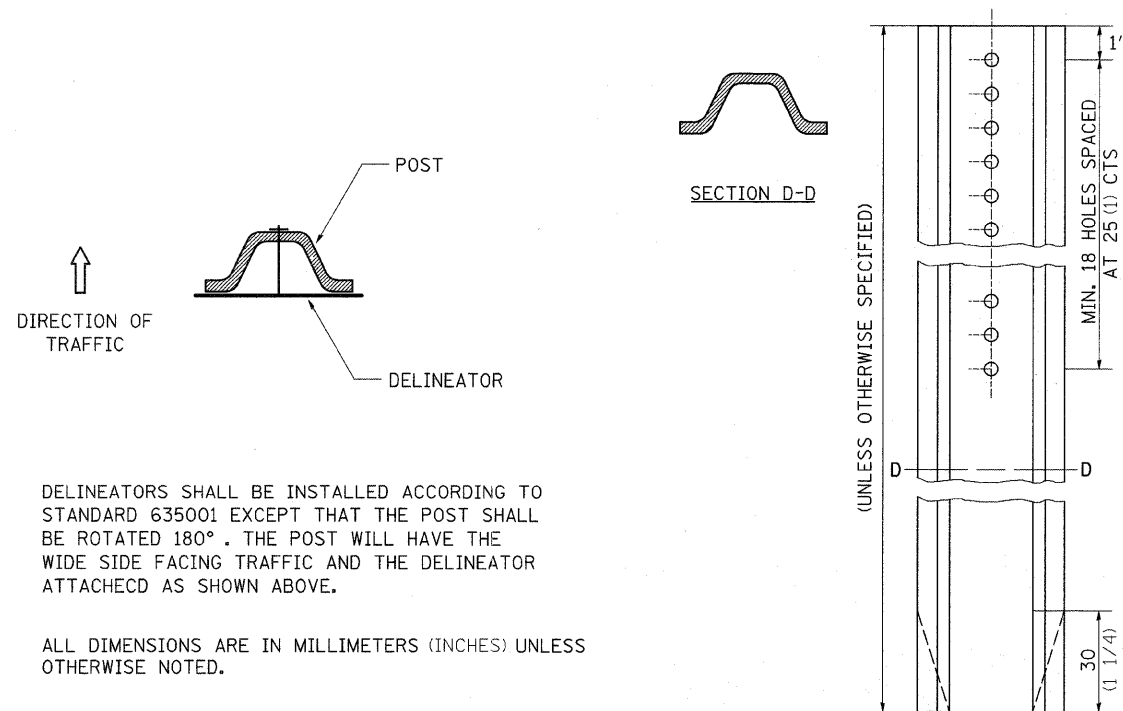
FOR DETAILS ON DIMENSIONS AND GRADES, SEE DISTRICT STANDARD 25.1 OR PLANS.

ALL DIMENSIONS ARE IN MILLIMETERS (INCHES) UNLESS OTHERWISE NOTED.

REVISED - 10-15-04

**SIDEWALK AND DRIVEWAY PAVEMENT PAY AREAS 35.4**

# DELINEATOR AND POST ORIENTATION



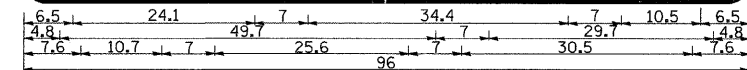
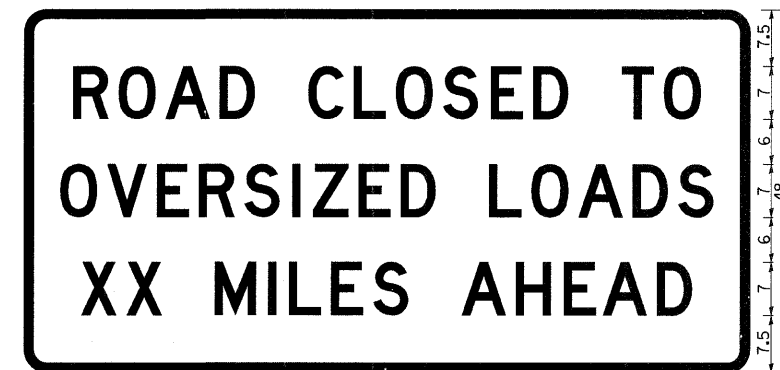
DELINEATORS SHALL BE INSTALLED ACCORDING TO STANDARD 635001 EXCEPT THAT THE POST SHALL BE ROTATED 180°. THE POST WILL HAVE THE WIDE SIDE FACING TRAFFIC AND THE DELINEATOR ATTACHED AS SHOWN ABOVE.

ALL DIMENSIONS ARE IN MILLIMETERS (INCHES) UNLESS OTHERWISE NOTED.

REVISED - 11-01-07

**DELINEATOR AND POST ORIENTATION 37.4**

# ROAD CLOSED TO OVERSIZED LOADS



Permit Loads - Loads Over 13 Feet; 3.0" Radius, 1.3" Border, Black on Orange; [ROAD CLOSED TO D; [OVERSIZED LOADS] D; [XX MILES AHEAD] D; Table of letter and object lefts.

R	O	A	D	C	L	O	S	E	D	T	O		
6.5	12.5	18.7	25.9	37.6	43.6	49.2	56.4	61.8	67.3	79.0	84.6		
O	V	E	R	S	I	Z	E	D	L	O	A	D	S
4.8	11.0	17.6	23.1	29.2	35.5	38.2	44.3	49.8	61.5	67.1	73.3	80.5	86.5
X	X	M	I	L	E	S	A	H	E	A	D		
7.6	13.6	25.3	32.3	38.1	40.8	48.2	57.9	65.1	71.4	78.9	83.7		

All work to furnish and install these signs shall be included in the cost of the Traffic Control Standards and shall not be paid for separately.

ALL DIMENSIONS ARE IN INCHES UNLESS OTHERWISE NOTED.

REVISED - 1-9-08	REGION 2 / DISTRICT 2 STANDARD	F.A.P. RTE.	SECTION	COUNTY	TOTAL SHEETS	SHEET NO.	
REVISED -		309	(17)B	WHITESIDE	376	119	
REVISED -						CONTRACT NO.	64B74
REVISED -		SCALE: 50,000' / IN.	SHEET NO.	OF	SHEETS	STA.	TO STA.

**ROAD CLOSED TO OVERSIZED LOADS 40.4**