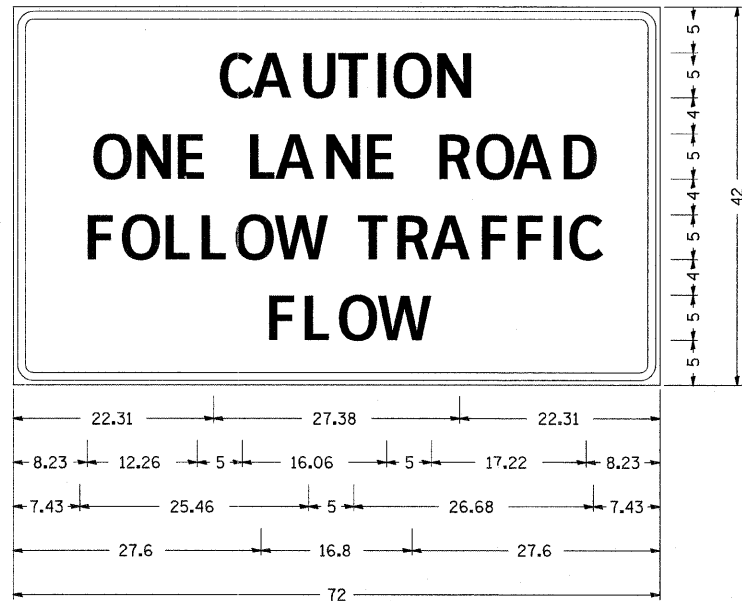


ENTRANCE SIGN FOR USE WITH TEMPORARY SIGNALS



Type AA Fluorescent Orange Sheeting ;
2.25" Radius, 0.88" Border, 0.50" Indent, Black on Orange;
[CAUTION] D; [ONE LANE ROAD] D;
[FOLLOW TRAFFIC] D; [FLOW] D

Table Of Widths And Spaces

22.31	C	3.36	0.62	A	4.18	0.94	U	3.36	0.94	T	3.04	0.94	I	0.78	1.17	O	3.52	1.17	N	3.36	22.31
8.23	O	3.51	1.17	N	3.36	1.18	E	3.04													
5.00	L	3.05	0.31	A	4.18	0.94	N	3.36	1.17	E	3.05										
5.00	R	3.36	0.93	O	3.52	0.94	A	4.18	0.93	D	3.36	8.23									
7.43	F	3.04	0.94	O	3.52	1.17	L	3.04	0.94	L	3.05	0.94	O	3.51	0.94	W	4.37				
5.00	T	3.05	0.94	R	3.36	0.94	A	4.18	0.93	F	3.05	0.94	F	3.04	0.94	I	0.78	1.18	C	3.35	7.43
27.60	F	3.05	0.94	L	3.04	0.94	O	3.52	0.93	W	4.38	27.60									

GENERAL NOTES

THIS SIGN SHALL BE INSTALLED AT ENTRANCES LOCATED BETWEEN THE TEMPORARY SIGNALS AS DIRECTED BY THE ENGINEER.

ALL DIMENSIONS ARE IN INCHES UNLESS OTHERWISE NOTED.

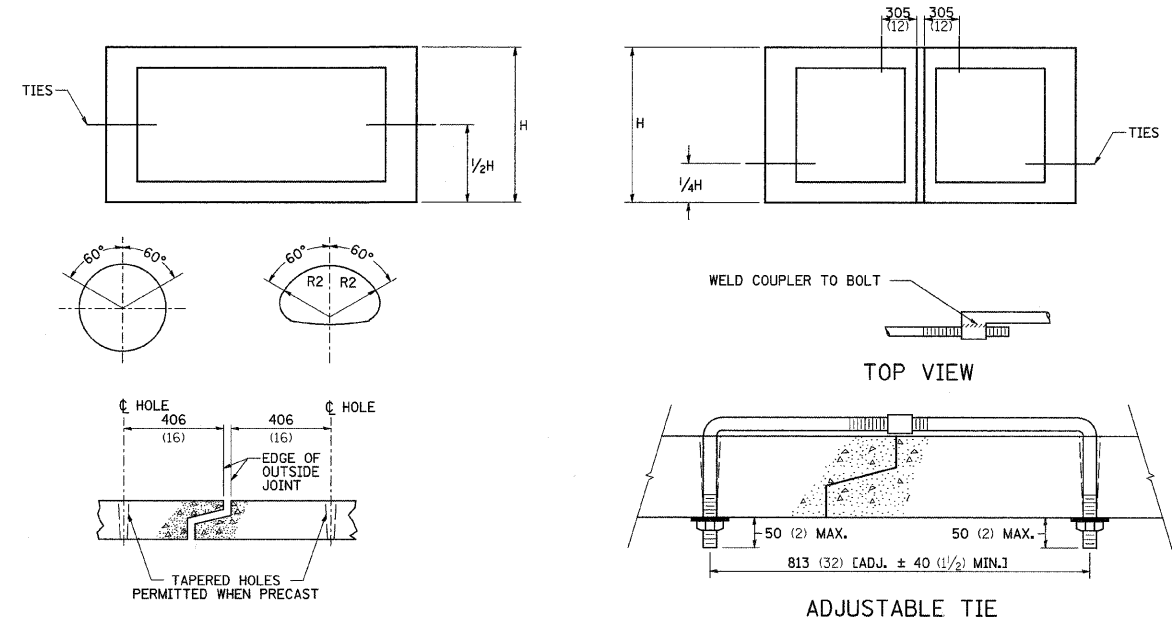
THE COST TO FURNISH, INSTALL AND REMOVE THIS SIGN AT THE REQUIRED LOCATIONS SHALL BE INCLUDED IN THE COST OF TRAFFIC CONTROL AND PROTECTION STANDARD 701321.

ALL DIMENSIONS ARE IN MILLIMETERS (INCHES) UNLESS OTHERWISE NOTED.

REVISED - 10-28-05

MECHANICAL JOINTS FOR CONCRETE PIPE AND BOX CULVERTS

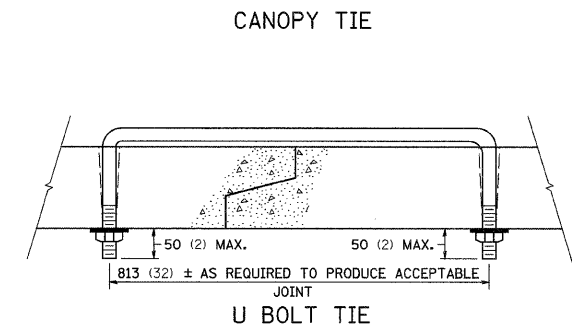
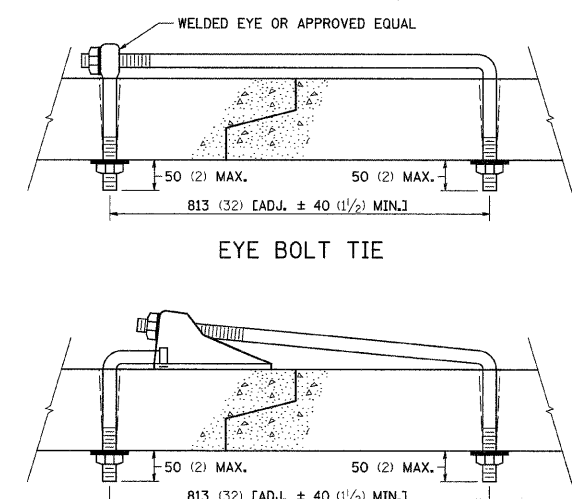
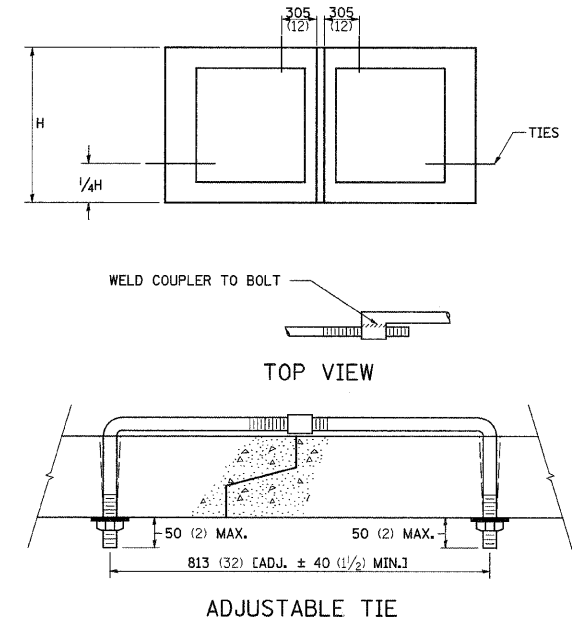
THE CULVERT TIES SHALL BE INCLUDED IN THE COST OF THE CONCRETE PIPE CULVERTS OR THE PRECAST CONCRETE BOX CULVERT. THE MECHANICAL TIES SHALL BE ON THE OUTSIDE OF THE CULVERT. THE NUTS AND WASHERS SHALL BE PLACED ON THE INSIDE OF THE CULVERT AND COVERED WITH MASTIC JOINT SEALER CONFORMING TO ARTICLES 1055 OR 1056 IN THE STANDARD SPECIFICATIONS FOR ROAD AND BRIDGE CONSTRUCTION.



BOX CULVERT METERS (FEET)	PIPE SIZE MILLIMETERS (INCHES)	THREAD DIAMETER
	300 (12)	16 (5/8)
	380 (15)	19 (3/4)
	450 (18)	25 (1)
	530 (21)	35 (1 1/4)
	600 (24)	
	680 (27)	
	760 (30)	
0.9x0.6 (3x2)	830 (33)	
0.9x0.9 (3x3)	910 (36)	
1.2x0.6 (4x2)	1060 (42)	
1.2x0.9 (4x3)	1210 (48)	
1.2x1.2 (4x4)	1370 (54)	
1.5x0.9 (5x3)	1520 (60)	
1.5x1.2 (5x4)	1670 (66)	
1.5x1.5 (5x5)	1820 (72)	
1.8x (6x *)	1980 (78)	
2.1x (7x *)	2130 (84)	
2.4x (8x *)	2280 (90)	
2.7x (9x *)	2430 (96)	
3.0x (10x *)	2590 (102)	
	2740 (108)	
	3040 (120)	
	3350 (132)	
3.4x (11x *)	3500 (138)	
AND GREATER	AND GREATER	

NOTES:

- HOLES SHALL BE CAST-IN OR DRILLED 400 (16) FROM OUTSIDE EDGE OF JOINT.
- NUTS AND WASHERS ARE NOT REQUIRED ON INSIDE OF 675 (27) DIAM. PIPE OR LESS.
- TIES ARE NOT REQUIRED FOR BELL PIPE 600 (24) AND SMALLER. ON OTHER SIZES TIE MAY BE INSERTED FROM INSIDE.
- CUT THREADS MAY BE USED IF WASHER AND NUT ARE USED.
- PIPE SIZE LISTED IS INSIDE DIAM. OF ROUND PIPE OR EQUIVALENT DIAM. OF PIPE ARCH OR ELLIPTICAL.
- GALVANIZING OF TIES IS REQUIRED.
- ALL DIMENSIONS ARE IN MILLIMETERS (INCHES) UNLESS OTHERWISE NOTED.



REVISED - 2-1-00	REGION 2 / DISTRICT 2 STANDARD		F.A.P. RTE.	SECTION	COUNTY	TOTAL SHEETS	SHEET NO.
REVISED -			309	(17)R18	WHITESIDE	376	126
REVISED -					CONTRACT NO. 64B74		
REVISED -	SCALE: 50.0000' / 1" SHEET NO. OF SHEETS STA. TO STA.	FED. ROAD DIST. NO.		ILLINOIS FED. AID PROJECT			