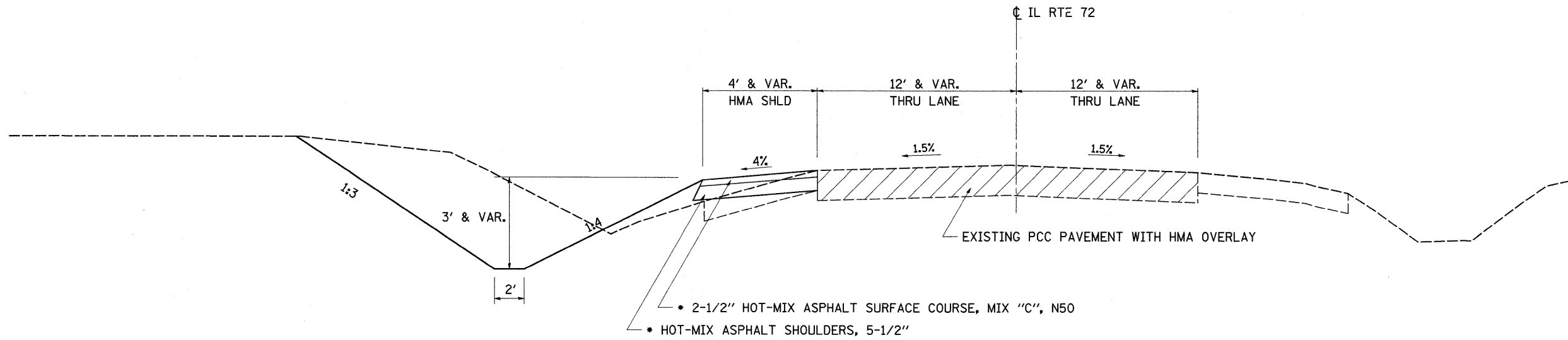
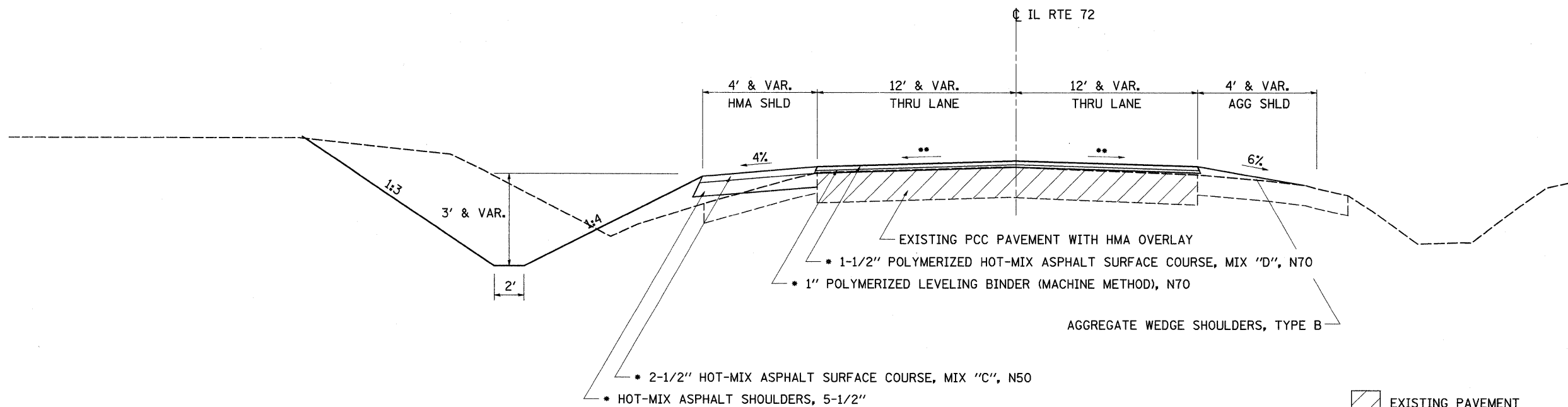


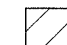
PROPOSED TYPICAL SECTION IL RTE 72 & IL RTE 251

STA 1781+75.3 TO STA 1782+34.4 (IL 72)



STA 1782+34.4 TO STA 1782+84.4 (IL 72-BUTT JOINT)



-  EXISTING PAVEMENT
- * RATE OF APPLICATION = 112 LB/SQ YD/IN
- ** MATCH EXISTING SLOPE

FILE NAME =	USER NAME = dosadd	DESIGNED -	REVISED -	STATE OF ILLINOIS DEPARTMENT OF TRANSPORTATION	PROPOSED TYPICAL SECTION			F.A.P. RTE.	SECTION	COUNTY	TOTAL SHEETS	SHEET NO.
os\pwork\PWIDOT\DOSSDD\dms41852\d07808	etyp.dgn	DRAWN -	REVISED -					553	120M	OGLE	71	8
PLOT SCALE = 20.0000' / IN.		CHECKED -	REVISED -		SCALE:			FED. ROAD DIST. NO.		ILLINOIS FED. AID PROJECT		
PLOT DATE = Tue Jan 13 15:35:58 2009		DATE -	REVISED -		SHEET NO. OF SHEETS STA. TO STA.			CONTRACT NO. 64E55				