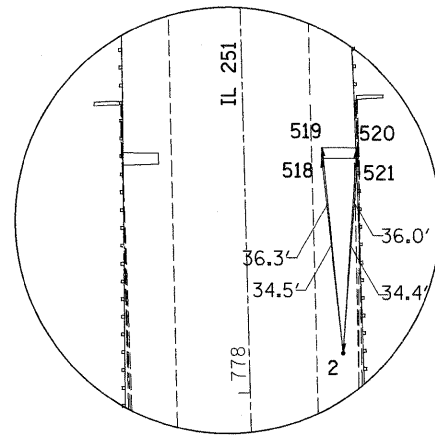
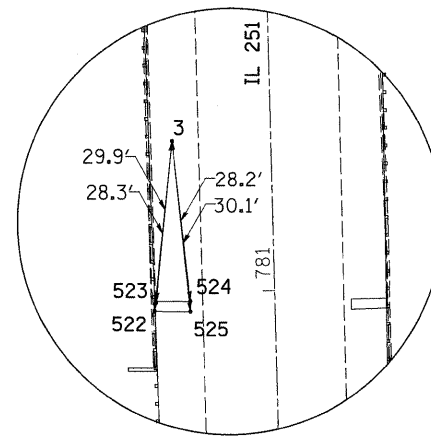


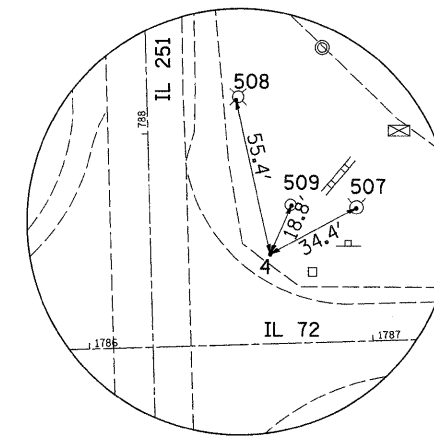
HORIZONTAL CONTROL POINT No. 1



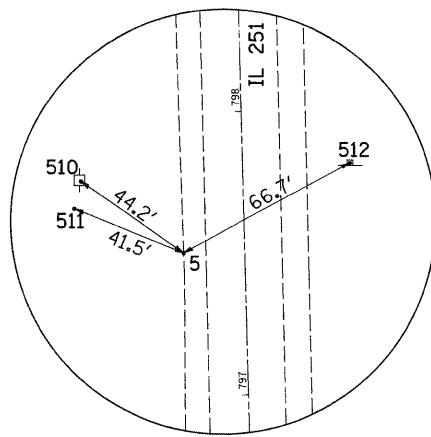
HORIZONTAL CONTROL POINT No. 2



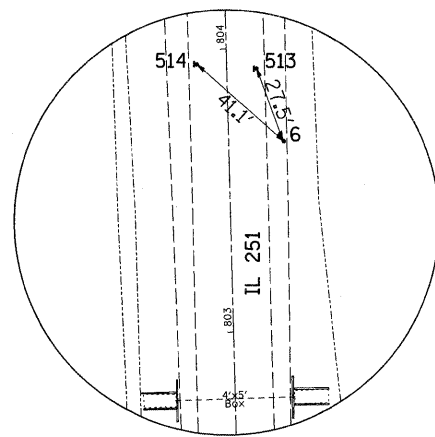
HORIZONTAL CONTROL POINT No. 3



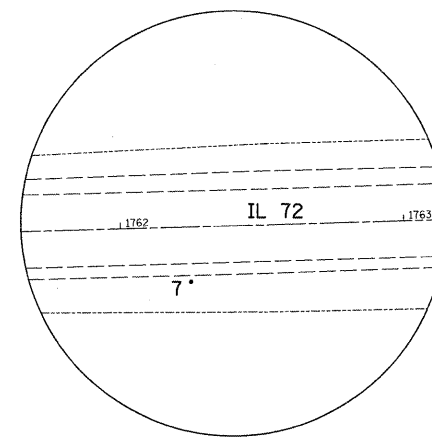
HORIZONTAL CONTROL POINT No. 4



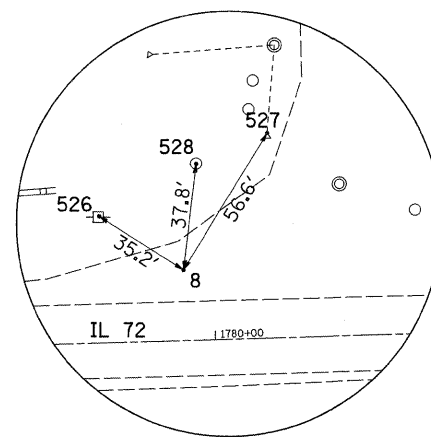
HORIZONTAL CONTROL POINT No. 5



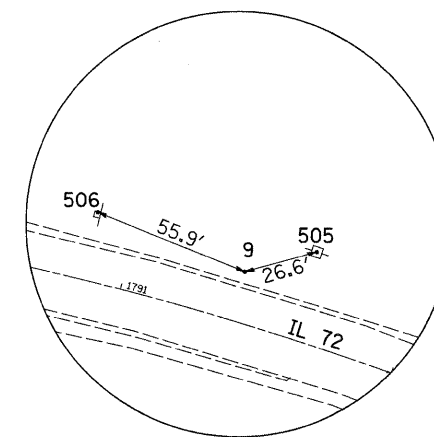
HORIZONTAL CONTROL POINT No. 6



HORIZONTAL CONTROL POINT No. 7



HORIZONTAL CONTROL POINT No. 8



HORIZONTAL CONTROL POINT No. 9

FILE NAME =	USER NAME = dossdd	DESIGNED -	REVISED -
c:\pwork\pwidot\dossdd\dms41852\d0780	hvc.dgn	DRAWN -	REVISED -
PLOT SCALE = 1200.0000' / IN.	CHECKED -	REVISED -	REVISED -
PLOT DATE = Tue Jan 13 15:40:51 2009	DATE -	REVISED -	REVISED -

STATE OF ILLINOIS
DEPARTMENT OF TRANSPORTATION

HORIZONTAL & VERTICAL CONTROL

SCALE: SHEET NO. OF SHEETS STA. TO STA.

F.A.P. RTE.	SECTION	COUNTY	TOTAL SHEETS	SHEET NO.
553	120M	OGLE	71	16
CONTRACT NO. 64E55				
FED. ROAD DIST. NO.		ILLINOIS FED. AID PROJECT		