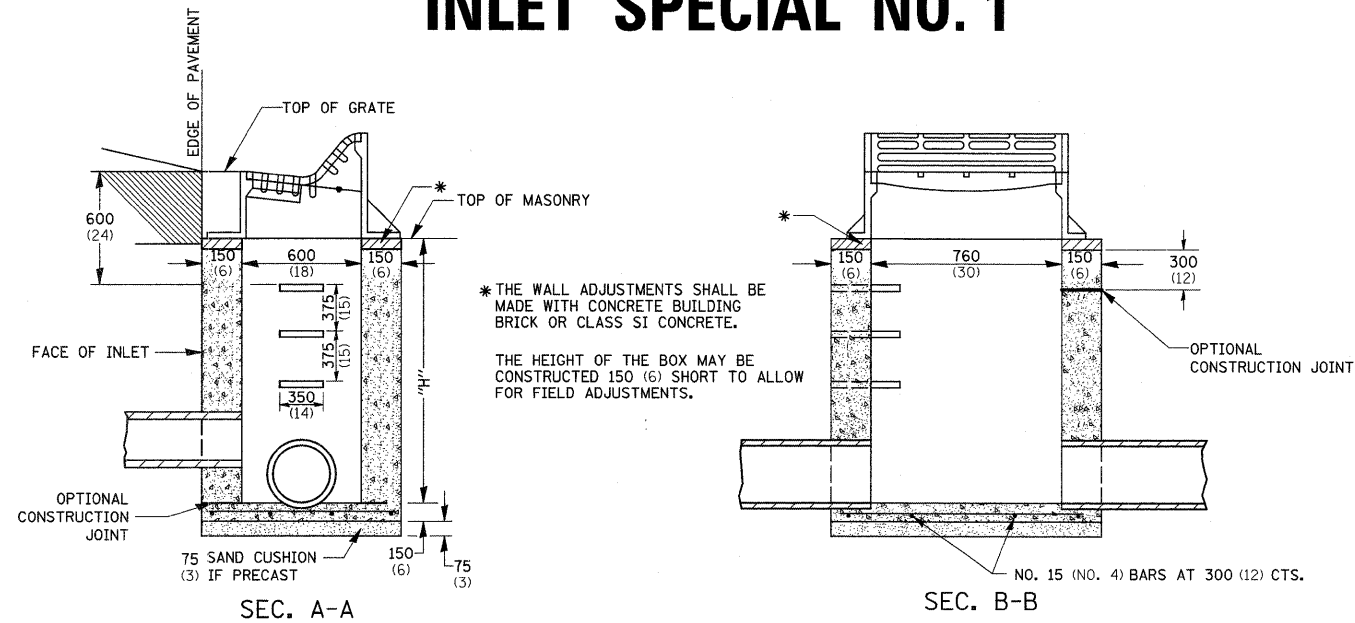


INLET SPECIAL NO. 1



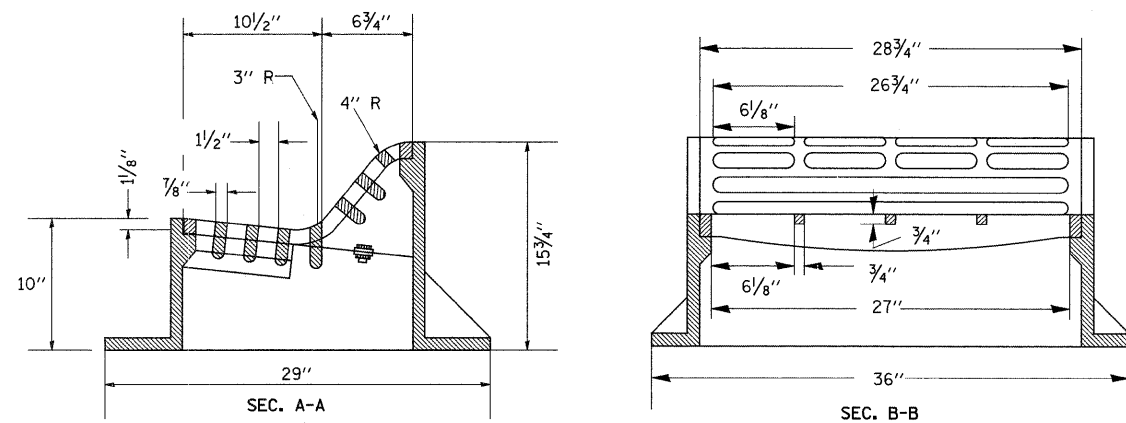
NOTES

- SEE STANDARD 602701 FOR DETAILS OF STEPS.
- EXCEPT AS NOTED HEREON INLET SPECIAL SHALL BE CONSTRUCTED IN ACCORDANCE WITH SECTION 602 OF THE STANDARD SPECIFICATIONS.
- THE SIDE WALLS MAY BE BUILT AS PRECAST SEGMENTED SECTIONS.
- ALL VOIDS AROUND PIPE ENTRANCE, BOTH INSIDE AND OUTSIDE, SHALL BE SEALED WITH MORTAR.
- STEPS SHALL BE OMITTED WHEN DEPTH OF "H" IS LESS THAN 1.5 m (5 ft).
- BOTH INLET SPECIAL NO. 1 SHALL DRAIN VERTICALLY TO THE ACROSS ROAD CULVERT LOCATED BENEATH.

DETAIL OF FRAME & GRATE

NOTES

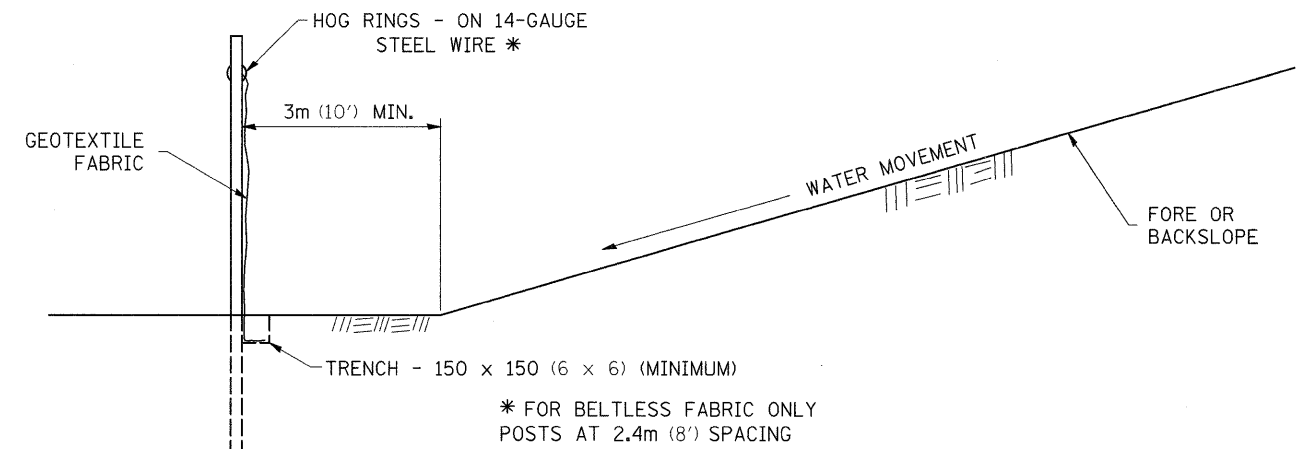
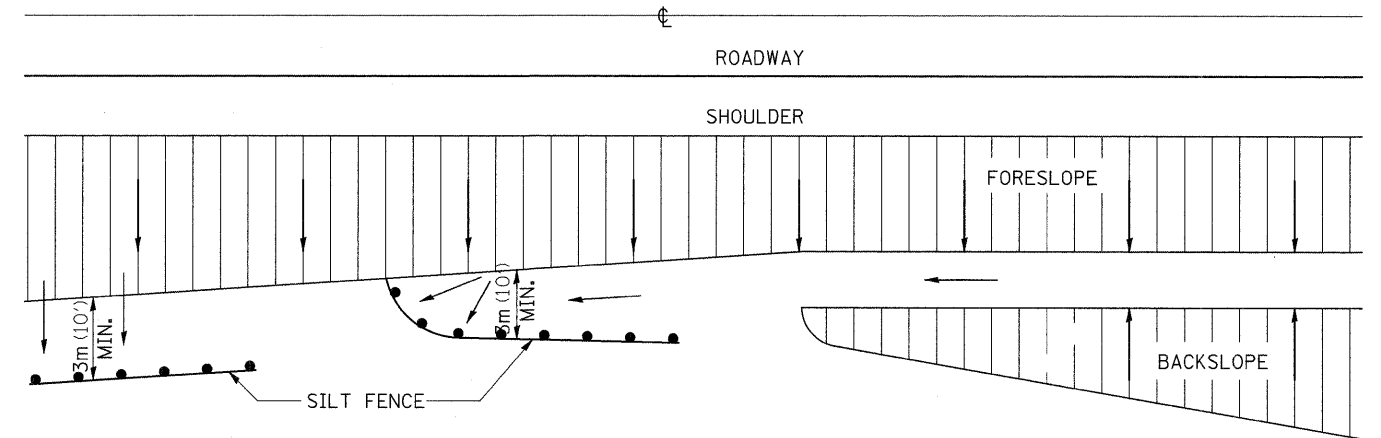
- CLASS SI CONCRETE OR PRECAST CONCRETE SHALL BE USED THROUGHOUT. PRECAST CONCRETE SHALL BE IN ACCORDANCE WITH SECTION 504.01 THRU 504.05 OF THE STANDARD SPECIFICATIONS EXCEPT THAT CONCRETE STRENGTH SHALL BE 27.5 MPa (4,000 psi) AFTER 28 DAYS.
- THE CONTRACT UNIT PRICE EACH FOR INLET SPECIAL, NO.1 SHALL INCLUDE THE COST OF CONSTRUCTING THE INLET BOX, FURNISHING AND INSTALLING THE FRAME AND GRATE, THE CAST IRON STEPS (IF USED), THE PRECAST FLOOR SLABS, SAND CUSHION (WHEN USED) AND REINFORCEMENT BARS.
- NEENAH * R-3503-B OR EQUIVALENT



ALL DIMENSIONS ARE IN INCHES UNLESS OTHERWISE NOTED.

REVISED - 1-10-08

EROSION CONTROL DETAILS FOR SILT FENCE



DETAILS OF SILT FENCE

ALL DIMENSIONS ARE IN MILLIMETERS (INCHES) UNLESS OTHERWISE NOTED.

REVISED - 22-01	REGION 2 / DISTRICT 2 STANDARD	F.A.P. RTE.	SECTION	COUNTY	TOTAL SHEETS	SHEET NO.
REVISED -		553	120M	OGLE	71	47
REVISED -	SCALE: 50.0000' / 1" SHEET NO. OF SHEETS STA. TO STA.	CONTRACT NO. 64E55				
REVISED -		FED. ROAD DIST. NO. ILLINOIS FED. AID PROJECT				